



USER GUIDE

CS125 Present Weather Sensor



Issued: 3.6.14

Copyright © 2013-14 Campbell Scientific Ltd.

Guarantee

This equipment is guaranteed against defects in materials and workmanship. This guarantee applies for twelve months from date of delivery. We will repair or replace products which prove to be defective during the guarantee period provided they are returned to us prepaid. The guarantee will not apply to:

- Equipment which has been modified or altered in any way without the written permission of Campbell Scientific
- Batteries
- Any product which has been subjected to misuse, neglect, acts of God or damage in transit.

Campbell Scientific will return guaranteed equipment by surface carrier prepaid. Campbell Scientific will not reimburse the claimant for costs incurred in removing and/or reinstalling equipment. This guarantee and the Company's obligation thereunder is in lieu of all other guarantees, expressed or implied, including those of suitability and fitness for a particular purpose. Campbell Scientific is not liable for consequential damage.

Please inform us before returning equipment and obtain a Repair Reference Number whether the repair is under guarantee or not. Please state the faults as clearly as possible, and if the product is out of the guarantee period it should be accompanied by a purchase order. Quotations for repairs can be given on request. It is the policy of Campbell Scientific to protect the health of its employees and provide a safe working environment, in support of this policy a "Declaration of Hazardous Material and Decontamination" form will be issued for completion.

When returning equipment, the Repair Reference Number must be clearly marked on the outside of the package. Complete the "Declaration of Hazardous Material and Decontamination" form and ensure a completed copy is returned with your goods. Please note your Repair may not be processed if you do not include a copy of this form and Campbell Scientific Ltd reserves the right to return goods at the customers' expense.

Note that goods sent air freight are subject to Customs clearance fees which Campbell Scientific will charge to customers. In many cases, these charges are greater than the cost of the repair.



Campbell Scientific Ltd,
Campbell Park, 80 Hathern Road,
Shepshed, Loughborough, LE12 9GX, UK
Tel: +44 (0) 1509 601141
Fax: +44 (0) 1509 601091

Email: support@campbellsci.co.uk
www.campbellsci.co.uk

PLEASE READ FIRST

About this manual

Some useful conversion factors:

Area: 1 in² (square inch) = 645 mm²

Length: 1 in. (inch) = 25.4 mm
1 ft (foot) = 304.8 mm
1 yard = 0.914 m
1 mile = 1.609 km

Mass: 1 oz. (ounce) = 28.35 g
1 lb (pound weight) = 0.454 kg

Pressure: 1 psi (lb/in²) = 68.95 mb

Volume: 1 UK pint = 568.3 ml
1 UK gallon = 4.546 litres
1 US gallon = 3.785 litres

Recycling information



At the end of this product's life it should not be put in commercial or domestic refuse but sent for recycling. Any batteries contained within the product or used during the products life should be removed from the product and also be sent to an appropriate recycling facility.

Campbell Scientific Ltd can advise on the recycling of the equipment and in some cases arrange collection and the correct disposal of it, although charges may apply for some items or territories.

For further advice or support, please contact Campbell Scientific Ltd, or your local agent.



Campbell Scientific Ltd, Campbell Park, 80 Hathern Road, Shepshed, Loughborough, LE12 9GX, UK
Tel: +44 (0) 1509 601141 Fax: +44 (0) 1509 601091
Email: support@campbellsci.co.uk
www.campbellsci.co.uk

Contents

PDF viewers note: These page numbers refer to the printed version of this document. Use the Adobe Acrobat® bookmarks tab for links to specific sections.

1. Introduction	1
1.1 Version Information.....	1
1.2 General Safety	2
1.3 Sensor Unit Safety	2
2. Technical specification	3
3. Electrical specification	3
4. Supported data rates for RS232 and RS485	4
5. Environmental specifications	5
6. Mechanical specifications	5
7. Installation procedure	5
7.1 Equipment grounding	7
7.2 Mounting the CS125.....	7
7.3 Optional Campbell Scientific Mount	9
8. CS125 internal connectors' description	11
8.1 CS125 recommended wiring using Campbell Scientific cables	13
9. CS215 T/RH Sensor	14
10. Functions of the internal switches	15
11. Message Formats: A breakdown of the different default outputs of the CS125 – Basic/Partial/Full	16
11.1 Visibility only messages (CS120 emulation).....	17
11.2 Messages with SYNOP Present Weather Codes.....	18
11.3 Messages with METAR Present Weather Codes.....	19
11.4 Example CS125 message outputs	22
11.5 SYNOP Codes produced by the CS125.....	23
11.6 METAR Codes produced by the CS125	24

12. Interface methods – Device Configuration Utility/Command Line/Menu.....	24
12.1 Configuring a PC for talking to the CS125	25
13. Definition of the variables that can be set by the user on the CS125	25
14. Command line mode	27
14.1 The SET command	28
14.1.1 Example of a SET Command.....	29
14.2 The SETNC Command	29
14.2.1 Example of a SETNC Command	29
14.3 The GET command.....	29
14.4 The POLL command – Polling the CS125	31
15. Entering the CS125 menu system	32
16. Calibrating the CS125.....	36
17. Performing a firmware update	39
18. Cleaning	40
19. Lubricating the enclosure screws	41
20. Desiccant.....	41

Appendices

A. CS125 Block Diagram	A-1
B. Example C code of the CCITT CRC.....	B-1
C. Example CRBasic programs	C -1

CS125 Present Weather Sensor

1. Introduction

The CS125 is an infrared forward scatter present weather sensor for automatic weather stations including road, marine and airport based stations. The CS125 uses the well-established forward scatter system for visibility measurement, utilising a 42° scatter angle. The CS125 uses high speed sampling to reduce missed events such as rain and hail and improves response to other suddenly changing conditions. When an optional CS215 temperature and RH sensor is connected, the CS125 can distinguish wet and dry obscuration (for example mist and haze) and make more precise discrimination between liquid and frozen precipitation.



1.1 Version Information

Manual Version	Revisions
1.0	None

1.2 General Safety

This manual provides important safety considerations for the installation, operation and maintenance of the CS125. These safety considerations are classified into three levels:

WARNING	Warnings alert the installer or user to serious hazards. Ignoring these warnings could result in injury or death and/or irrevocable damage to the sensor unit.
CAUTION	Cautions warn of potential hazards. Ignoring these cautions could result in the sensor being damaged and data being lost.
NOTE	Notes highlight useful information in the installation, use and maintenance of this product. These should be followed carefully in order to gain the maximum benefit from the use of this product.

1.3 Sensor Unit Safety

The CS125 sensor has been checked for safety before leaving the factory and contains no internally replaceable or modifiable parts.

WARNING	Do not modify the CS125 unit. Such modifications will lead to damage of the unit and could expose users to dangerous light levels and voltages.
WARNING	In unusual failure modes and environmental conditions the sensor hood could become hot. In normal operation they will be at ambient temperature or slightly above.
CAUTION	Ensure that the correct voltage supply is provided to the sensor.

2. Technical specification

	Minimum Value	Nominal Value	Maximum Value
Visibility characteristics			
Reported Visibility (metric)	12 metres	-	32,000 metres
Reported Visibility (imperial)	39 feet	-	104,985 feet
Visibility accuracy up to 10,000m	-	+/-10%	-
Visibility accuracy up to 20,000m	-	+/-20%	-
Weather characteristics			
Precipitation Sensitivity	-	0.05 mm/h	-
Optical characteristics			
LED centre wavelength	-	850nm	-
LED spectral bandwidth	-	+/-35nm	-
Pulse characteristics			
Light pulse rate	-	1KHz	-

3. Electrical specification

	Minimum Value	Nominal Value	Maximum Value
Main power supply for DSP and dew heaters			
Power supply, +12V connection (DC only)	9V	12V	28V ⁽¹⁾
Current consumption sampling continuously with dew heaters active (at 12V DC)	-	200mA	248mA
Current consumption sampling continuously with dew heaters disabled (at 12V DC)	-	110mA	151mA
Current consumption without any sampling occurring and dew heaters disabled (at 12V DC)	-	21mA	30mA
Active power consumption with dew heaters and RS232 communications interface active ^(2,3) (at 12V DC)	-	200mA	250mA
Hood heater power supply			
Hood heater voltage (AC or DC)	-	24V ⁽³⁾	30V ⁽⁴⁾
Hood heater wattage (at 24V AC or DC)	-	60W ⁽⁵⁾	-
RS232 Communications			
RS232 input threshold Low	0.8V	1.5V	-
RS232 input threshold High	-	2.0V	2.4V
RS232 input absolute maximum	-15V	-	+15V
RS232 input resistance	12KΩ	-	-
RS232 output voltage low	-	-	0.4V

RS232 output voltage high (into 3K Ω)	4.4V	-	-
RS485 Communications			
RS485 input threshold voltage	-0.2V	-	+0.2V
RS485 output (Unloaded)	-	-	5V
RS485 output (Load 50 Ω)	2V	-	-
Maximum voltage at any terminal ⁽⁶⁾	-7V	-	+7V
User alarm outputs			
User output high level (at 85°C)	3.8V	-	-
User output high level (at 25°C)	4.13V	-	-
User output low (All temperatures)	0.25V	-	0.55V
User output current	-	-	32mA

- (1) If a CS215 is being used the supply voltage should not exceed 16V.
- (2) The RS232 communications interface will automatically turn itself off when not transmitting.
- (3) If hood heaters are not being used ensure 'Hood heater override' (details in Section 13) is set to off.
- (4) It is recommended that the hood heaters are run at 24V AC/DC. It's possible to run the heaters at any voltage below 24V but the heaters will generate proportionally less heat reducing their ability to prevent ice build-up.
- (5) Each hood takes 30W, 60W is the total for both hoods on the sensor together.
- (6) The ground of the CS125 and the earth of any RS485 equipment cannot be further apart than this voltage. A 100 Ω resistor can be used to connect the CS125 RS485 earth to other equipment. This will reduce any parasitic currents and bring the two earths closer together if a direct connection cannot be made.

CAUTION

If a CS215 is being used the supply voltage should not exceed 16V.

4. Supported data rates for RS232 and RS485

Serial setting 8N1

Supported data rates

- 1200 bps
- 2400 bps
- 9600 bps
- 19200 bps
- 38400 bps - default
- 57600 bps
- 115200 bps

Supported formats

- RS232 (Full duplex only), default
- RS485 (Half duplex)
- 8 bit data bytes
- 1 stop bit
- Parity checking is not supported as most communication protocols used by the CS125 have built in checksums as well as checks that communications have been understood

5. Environmental specifications

	Minimum Value	Nominal Value	Maximum Value
Sensor temperature ranges			
Operating temperature	-25°C	-	+60°C
Extended operating temperature	-40°C	-	+70°C ⁽¹⁾
Storage temperature	-40°C	-	+85°C
Sensor humidity ranges			
Operating humidity range	0%	-	100%
Sensor heater thresholds			
Dew heater Turn On	-	<35°C	-
Dew heater Turn Off	-	>40°C	-
Hood heater Turn On	-	<5°C	-
Hood heater Turn Off	-	>15°C	-

(1) Extended temperature ranges are only guaranteed if the sensor has been tested by Campbell Scientific and verified within this temperature range. Some degradation of absolute accuracy can be expected at the extremes of the extended ranges.

6. Mechanical specifications

Main body including base mount

Height: 447 mm

Width: 640 mm

Depth: 245 mm

Sensor weight: 3 Kg

Sensor mounting: Bracket mounts on a vertical pole 32-52.5 mm diameter. The mounting bracket has cut-outs for band clamps for larger diameter masts.

Shipping weight: 6 Kg (including packing box)

7. Installation procedure

The CS125 measures environmental variables and is designed to be located in harsh weather conditions. However there are a few considerations to take into account if accurate and representative data from a site are to be obtained.

NOTE

The descriptions in this section are not exhaustive. Please refer to meteorological publications for further information on locating weather instruments

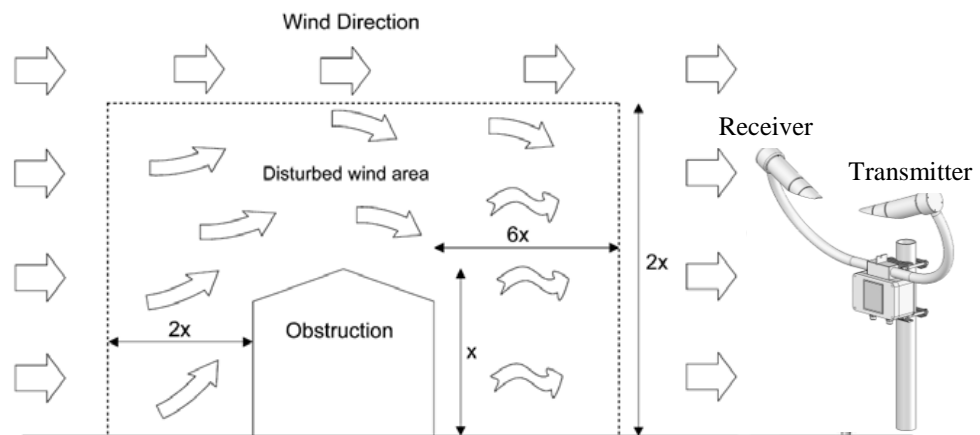
The CS125 should be sited in a position representative of local weather conditions and not of a specific microclimate (unless the analysis of microclimate weather is being sought).

The CS125 has good resistance to background light but it is a good idea to avoid locations where the transmitter is pointing at a light scattering or reflecting surface. Ideally the receiver should point north in the northern hemisphere and south in the southern hemisphere but this is not critical if the field of view does not include a bright and scattering surface.

To give non-microclimatic measurements the CS125 should be sited away from possible physical obstructions that could affect the fall of precipitation. The CS125 should also be positioned away from sources of heat, electrical interference and in such a position as to not have direct light on the sensor lenses. Whenever possible, the CS125 should be located away from windbreaks.

Several zones have been identified upwind and downwind of a windbreak in which the airflow is unrepresentative of the general speed and direction. Eddies are generated in the lee of the windbreak and air is displaced upwind of it. The height and depth of these affected zones varies with the height and to some extent the density of the obstacle.

Generally, a structure disturbs the airflow in an upwind direction for a distance of about twice the height of the structure, and in a downwind direction for a distance of about six times the height. The airflow is also affected to a vertical distance of about twice the height of the structure. Ideally, therefore, the CS125 should be located outside this zone of influence in order to obtain representative values for the region.



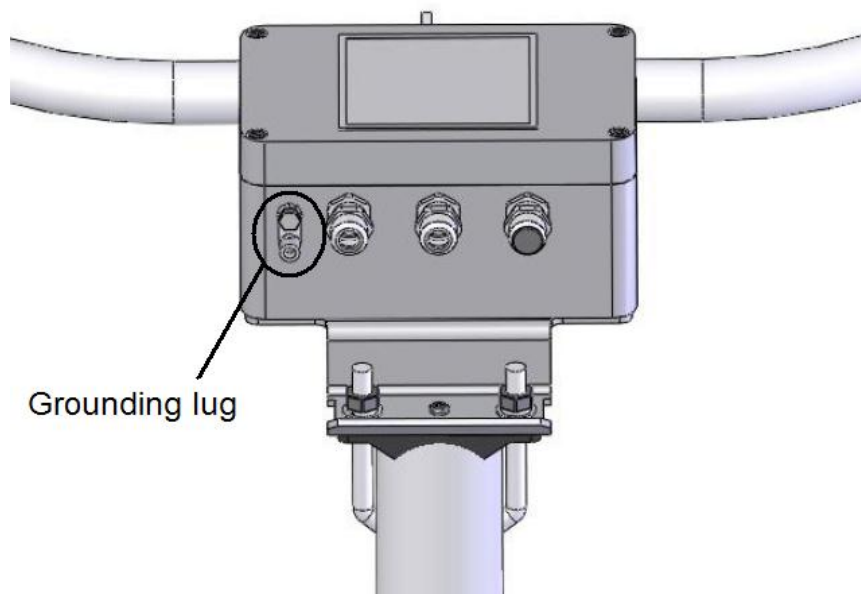
In order to reduce the service frequency with the unit, the CS125 should be placed away from sources of contamination, in the case of roadside monitoring; larger mounting poles can be used. More regular maintenance will be required when the instrument is placed in areas where contamination is unavoidable or where measurements may be safety critical.

The WMO recommend a sample volume height of 1.5 m. However, for applications such as aviation or road visibility other heights may be appropriate.

NOTE If operating a CS125 indoors it is likely that there will be sources of light and/or reflections that will create false readings and erratic results.

NOTE If carrying out simple checks, blocking a lens or the sample volume will simulate an INCREASE in visibility not a decrease.

7.1 Equipment grounding



The CS125 must be properly grounded by taking a ground wire with a minimum cross sectional area of 6 mm² and maximum length of 5 m from the brass grounding lug in the lower face of the electronics enclosure to an adequate grounding point. The pole and foundations of a pole mounted installation will provide some basic lightning protection and protection against radio frequency interference and should also be correctly grounded.

7.2 Mounting the CS125

A pole mounting kit is supplied with the CS125. To mount the CS125 onto a pole:

1. Offer up the DSP plate to the pole and present the 'V' bolts from the other side as shown.
2. Clamp the pole between the DSP plate and brackets by tightening using the nuts and washers provided.
3. If a power supply enclosure has been supplied with the sensor it can be mounted on the pole, near its base using the brackets supplied with the enclosure. Alternatively the power supply can be mounted elsewhere, e.g. on a wall at some distance from the sensor. The power supply enclosure should be

mounted away from the sensor head to avoid wind flow disturbance or rain drops bouncing back up into the sensor's sensing volume.

CAUTION

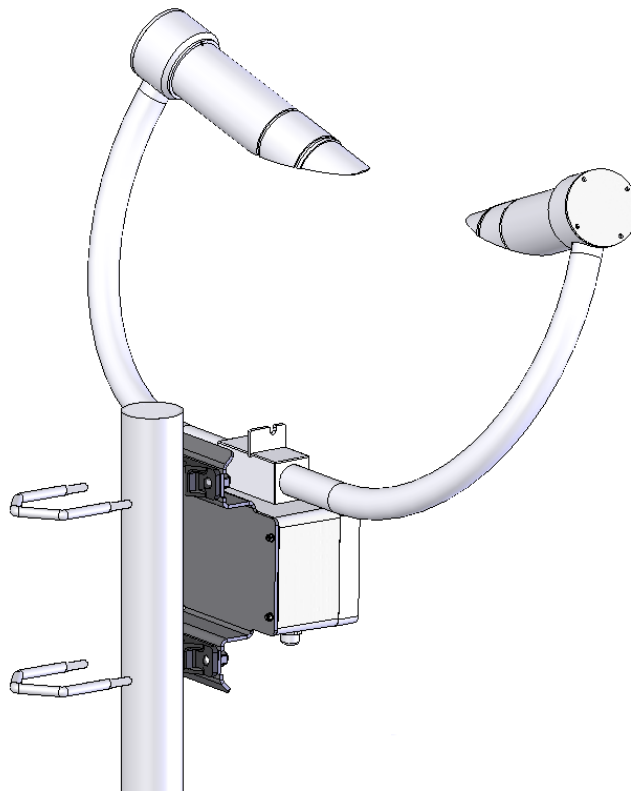
Take care not to overtighten the nuts on the bolts, as it may be possible to distort and/or damage the brackets or DSP plate by doing so, and/or the nuts may seize up. Only tighten the nuts to a degree necessary to hold the CS125 firmly in place.

Where the CS125 is to be mounted onto another type of mast, please refer to the manual for that mast for mounting details.

CAUTION

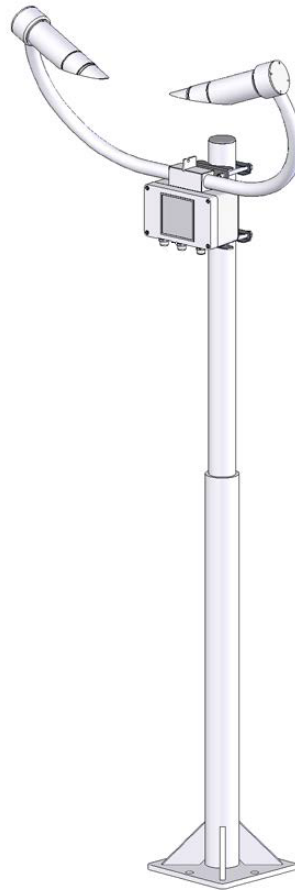
Ensure that the CS125 is mounted according to the figure below. Do not reposition, once fixings are tightened, by forcing the arms of the unit as this can cause damage.

Slots are provided to allow band clamps to be used with larger diameter masts.



7.3 Optional Campbell Scientific Mount

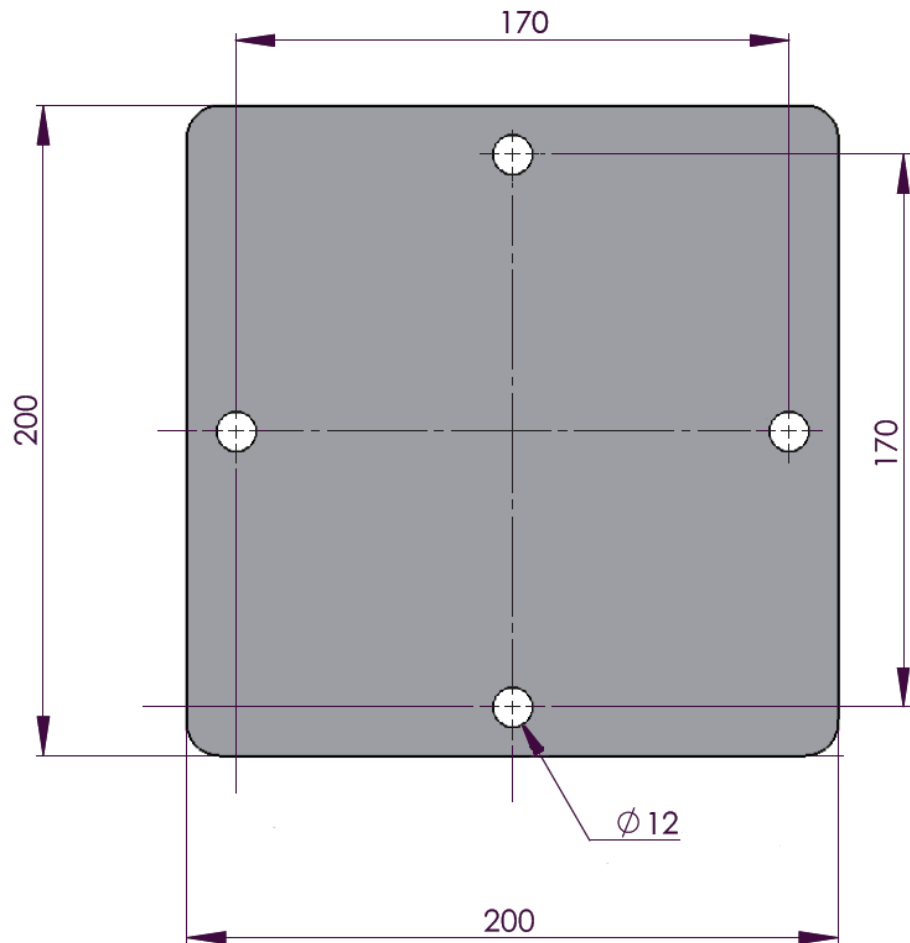
A Campbell Scientific 'optical sensor mount', part number 009354, is available. This will put the sample volume at about 1.5 m in compliance with the WMO 'Guide to Meteorological Instruments and Methods of Observation', 7th Edition, Section 9.3.4.



If one is to be used, follow the installation instructions below.

The mount should be installed on a concrete foundation. If one does not already exist then a concrete foundation should be constructed at least 600 mm square and 600 mm deep. Ensure the ground consistency is not too loose and will be able to support the mount and concrete foundation.

Drill four 12 mm diameter holes using the mount base as a template or following the drawing below to a depth of 77 mm.



Clean the holes of all debris.

Place washers and nuts on the ends of the wedge anchors supplied (to protect the threads during installation).

Hammer the wedge anchors into the holes until the start of the threads are below the surface.

Tighten the nuts until about 25 mm of thread protrudes above the surface.

Remove the washers and nuts from the protruding length screw. Then lower the mount into place.

Finally secure the mount with the washers and nuts.

If the surface is not level and flat it may be necessary to add washers under the base on one or more of the foundation screws.

8. CS125 internal connectors' description

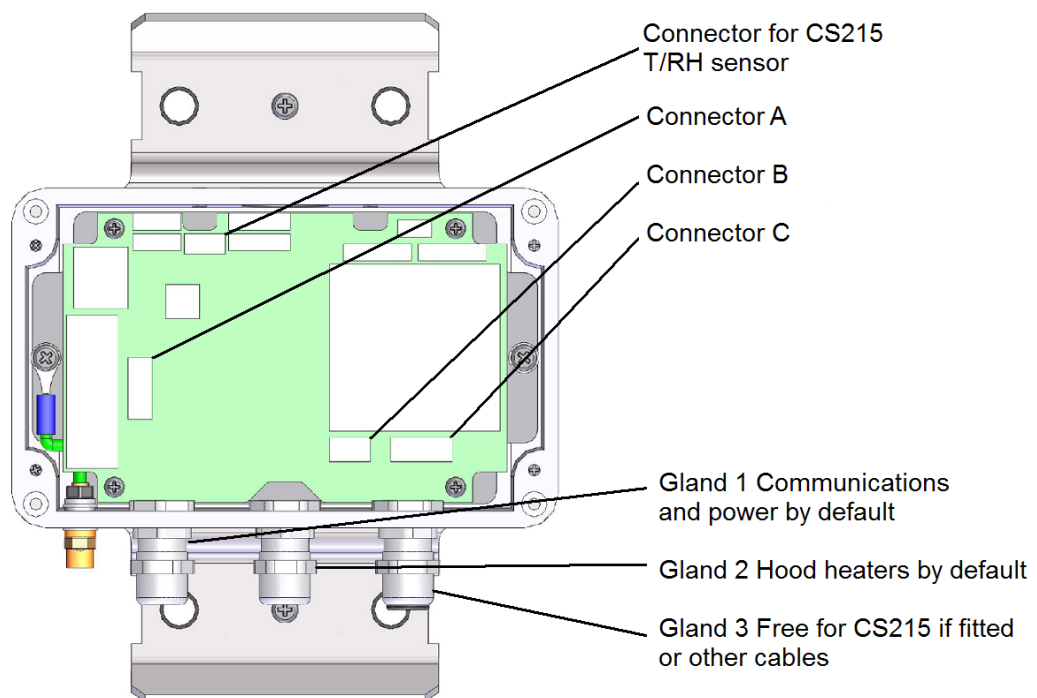
The CS125 has three standard IP66 rated glands. The first gland is by default used by the power/communications line. This comprises the +12V/24V for the main electronics, and the serial communications wires. The CS125 is supplied with 5 m cable already connected.

The second gland is used for the 24 V feeds for the hood heaters fitted with a 5 m cable.

The third gland is spare.

CAUTION If the power cable is incorrectly wired to the CS125 then irrevocable damage can be done to the unit.

CAUTION 10 m is the longest length of the cable type supplied recommended. In particular, additional RS485 communication should be twisted pair. Please contact Campbell Scientific if you wish to use a longer length of cable.



A configuration cable, part number 010817, is available from Campbell Scientific that plugs directly into connector B, in place of the normal connector and cable. The configuration cable is fitted with a 9-way D connector for use with a PC serial port or USB to serial adaptor.

Connector A Five way connector		
Pin number	Description	Notes
Pin 1	+12V	Main electronics 12V supply input (also supports 24V DC)
Pin 2	0V	Auxiliary Electronics 0V. Common with the main electronics 0V.
Pin 3	Hood low	Hood heater -V input, this input is totally separate to the main electronics 0V within the sensor so can be connected to a separate power supply. However, this pin should not be more than 5V different from the main electronics 0V.
Pin 4	0V	Auxiliary Electronics 0V. Common with the main electronics 0V.
Pin 5	Hood high	Hood heater +V input (Normally 24V)

Connector B Three way connector		
Pin number	Description	Notes
Pin 1	0V	0V connection for serial communications. This connection is common with the main electronics 0V (Connector A, pin 2).
Pin 2	Receive	RS232 receive line. Also, acts as the Y transmit line in RS485 half duplex mode and the A receive line
Pin 3	Transmit	RS232 transmit line. Also, acts as the Z transmit line in RS485 half duplex mode and the B receive line

Connector C – USER ALARMS Four way connector		
Pin number	Description	Notes
Pin 1	0V	0V connection for user alarms. This connection is common with the main electronics 0V (Connector A, Pin 2).
Pin 2	User 2	Output for user alarm 2
Pin 3	0V	0V connection for user alarms. This connection is common with the main electronics 0V (Connector A, Pin 2).
Pin 4	User 1	Output for user alarm 1

CS215 Connector Three way connector	
Pin number	Description
Pin 1	+12V
Pin 2	SDI-12
Pin 3	0V

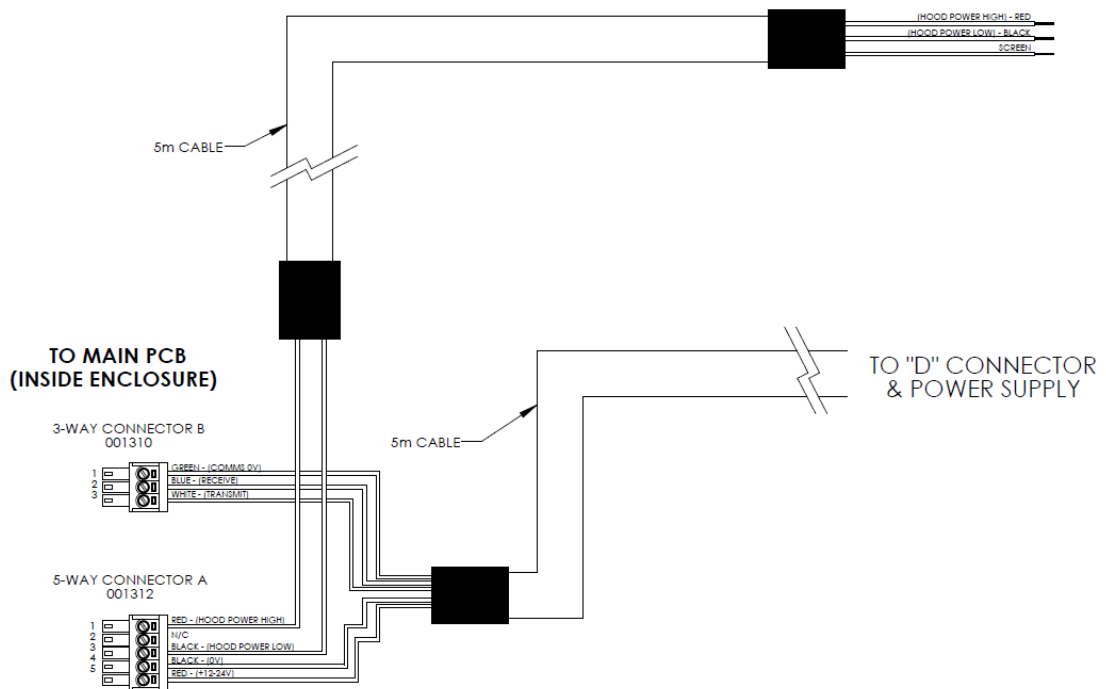
NOTE

To use these connections it is necessary to either use the cable gland taking the hood heater power or, if the hood heater is also required, to use different cables to those supplied. Please contact Campbell Scientific if you need any advice on choice of cable.

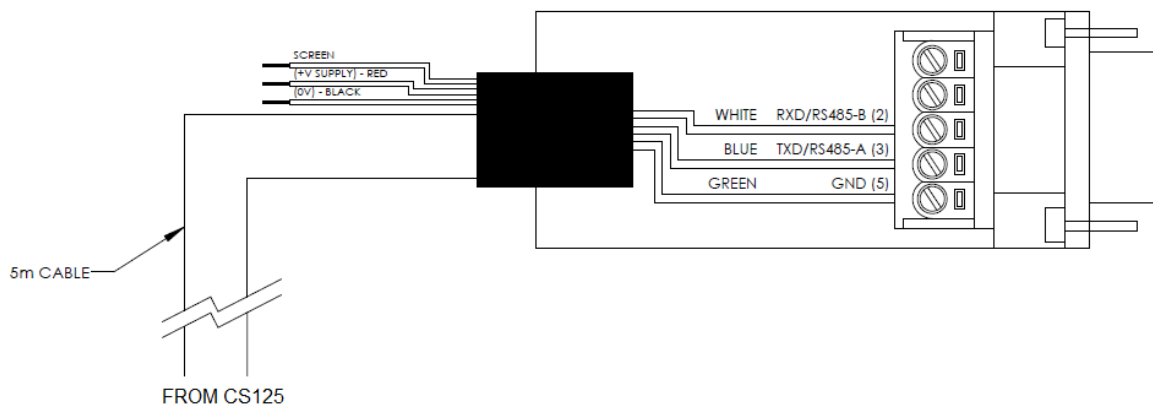
8.1 CS125 recommended wiring using Campbell Scientific cables (this cable is supplied already connected as standard)

The CS125 is provided pre-wired with a default 5 m power and communications cable which is terminated at one end with a 9 pin D-connector (DB9). The D-connector can be connected directly to a PC or to a datalogger such as the Campbell Scientific CR1000 using a suitable interconnecting cable such as the SC110. If another type of connection is required then the D-connector should be removed.

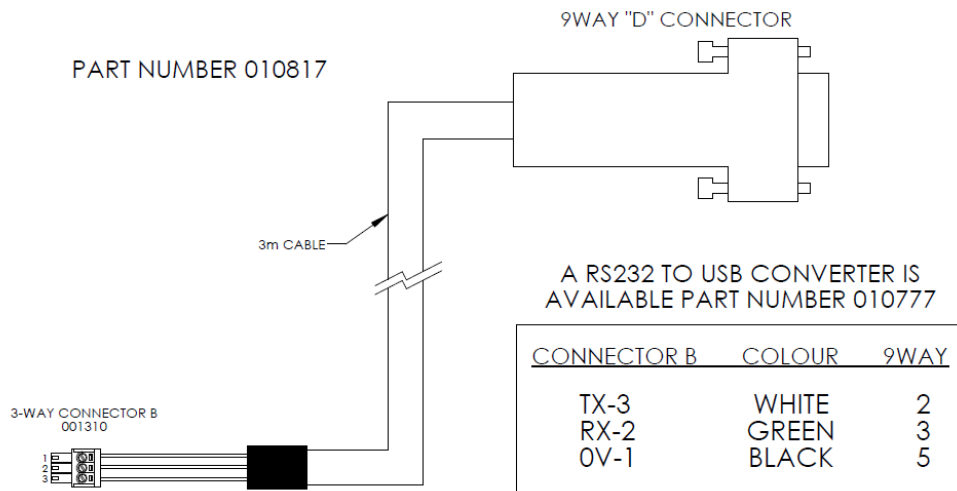
CS125 COMMS & POWER CABLES



CS125 COMMS & POWER CABLE CONNECTOR



CS125 CONFIGURATION CABLE



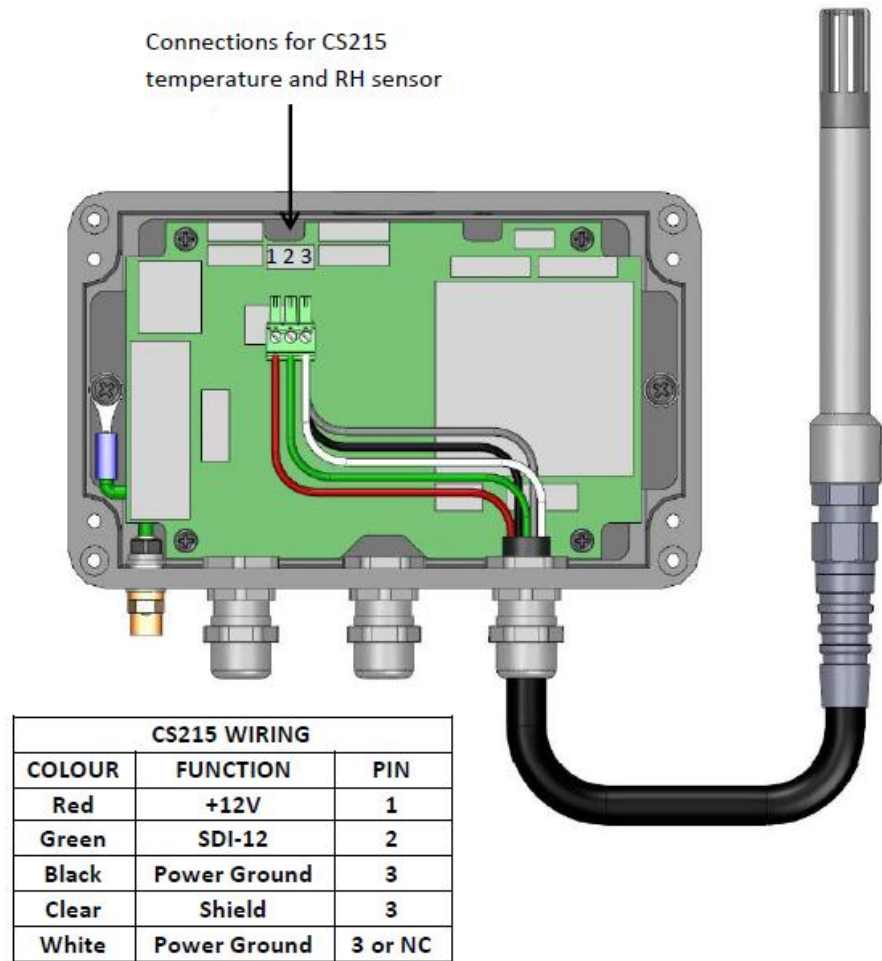
9. CS215 T/RH Sensor

A CS215 temperature and RH sensor can be connected to the CS125. This is recommended as it will improve the performance of the CS125 in identifying precipitation and allows it to, for example, distinguish between mist and haze. Precipitation identification at temperatures close to freezing will be much improved by a CS215 and its use is highly recommended in regions where temperatures close to 0°C are common if information on precipitation type is important. It also allows RH information to be included in data messages.

If a CS215 is connected then the temperature used for assessment of precipitation type and included in data messages will come from the CS215 instead of the temperature sensor mounted in the cross arm.

The connections for the CS215 are shown below. The CS215 itself can be mounted in a Met20 screen on the same mast as the CS125. The screen can be mounted on the top section of an OSM1 optical mast below a CS125.

WMO – No. 8, 2.1.4.1 recommends temperature measurement at a height of between 1.2 and 2.0 m above ground. The screen should be below the height of the CS125 electronics box.

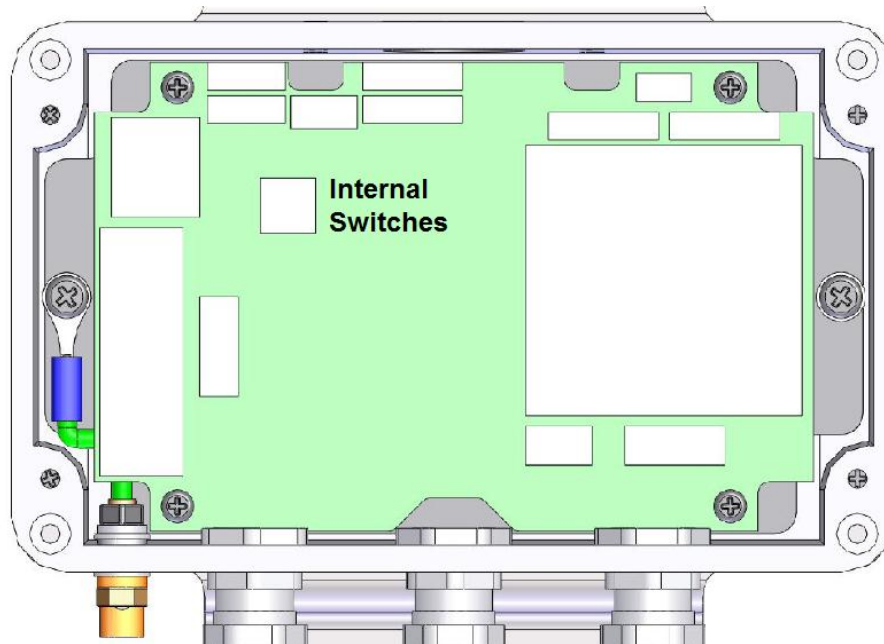


10. Functions of the internal switches

The CS125 is equipped with four switches located within the main enclosure. These switches perform certain functions at power up, their functions are detailed below.

IMPORTANT

The switches are only read during the power up sequence of the CS125. This means that if the switches are pressed whilst the CS125 is running nothing will happen, the sensor will need to be power cycled leaving at least 10 seconds with the sensor off for any of their functions to be performed.



Internal switch functions	
Switch number	Function
4	<i>Reserved for future use</i>
3	When switched to the ON position this switch temporarily sets the CS125 communications port to a default RS232 communication state (38400 bps). This is useful during field tests or maintenance when the CS125 has been remotely configured for RS485 mode or a baud rate your PC does not support. This change is temporary and will not be stored to flash. Once this switch is returned to its OFF position and the CS125 is power cycled the CS125 will return to its previous communications settings.
2	<i>Reserved for future use, set to OFF.</i>
1	When switched to the ON position this switch will reset the CS125 to its factory default values. This reset will affect all communication setting and will replace the user calibration settings with the factory defaults. This will take immediate effect upon power up.

11. Message Formats: A breakdown of the different default outputs of the CS125 – Basic/Partial/Full

The CS125 has three different standard message formats available to the user. These three outputs are named Basic, Partial and Full. All parameters are space delimited with a unique start and end character allowing easy storage into any logger (see Section 15 on how to set default outputs). The SYNOP Full Format message is the default message.

NOTE STX and ETX are hexadecimal command characters.

NOTE

Refer to Appendix B for the checksum algorithm.

11.1 Visibility Only messages (CS120 emulation)

Basic Format, Visibility Only

STX	Message ID	Sensor ID	System status	Visibility distance	Visibility units	Checksum (CCITT)	EXT	Carriage return	Line feed
0x02	0				M or F	XXXX	0x03	0x0D	0x0A

Partial Format, Visibility Only

STX	Message ID	Sensor ID	System status	Message interval	Visibility distance	Visibility units	User alarms	Checksum (CCITT)	EXT	Carriage return	Line feed
0x02	1					M or F	0 0	XXXX	0x03	0x0D	0x0A

Full Format, Visibility Only

STX	Message ID	Sensor ID	System status	Message interval	Visibility distance	Visibility units	Averaging duration	User alarms	System alarms 10 characters	Checksum (CCITT)	EXT	Carriage return	Line feed
0x02	2					M or F		0 0	0 0 0 0 ...	XXXX	0x03	0x0D	0x0A

11.2 Messages with SYNOP Present Weather Codes

SYNOP Present Weather Basic Format

0x02	STX	0x02
3	Message ID	3
	Sensor ID	
	System status	
	Visibility distance	
M or F	Visibility units	M or F
00-99	SYNOP Code	00-99
XXXX	Checksum (CCITT)	XXXX
0x03	EXT	0x03
0x0D	Carriage return	0x0D
0x0A	Line feed	0x0A

SYNOP Present Weather Partial Format

0x02	STX	0x02
4	Message ID	4
	Sensor ID	
	System status	
	Message interval	
	Visibility distance	
M or F	Visibility units	M or F
0 0	User alarms	0 0
	Particle count (minute)	
	Intensity (mm/h)	
00-99	SYNOP Code	00-99
	Temperature (deg C)	
	Relative humidity*	
XXXX	Checksum (CCITT)	XXXX
0x03	EXT	0x03
0x0D	Carriage return	0x0D
0x0A	Line feed	0x0A

SYNOP Present Weather Full Format

0x02	STX	0x02
5	Message ID	5
	Sensor ID	
	System status	
	Message interval	
	Visibility distance	
M or F	Visibility units	M or F
	Averaging duration	
0 0	User alarms	0 0
0 0 0 0 . . .	System alarms 12 characters	0 0 0 0 . . .
	Particle count (minute)	
	Intensity (mm/h)	
00-99	SYNOP Code	00-99
	Temperature (deg C)	
	Relative humidity*	
XXXX	Checksum (CCITT)	XXXX
0x03	EXT	0x03
0x0D	Carriage Return	0x0D
0x0A	Line feed	0x0A

11.3 Messages with METAR Present Weather Codes

METAR Present Weather Basic Format

0x02	STX	0x02	Message ID	6	Sensor ID	System status	Visibility distance	Visibility units	M or F	METAR Code	XXXX	Checksum (CCITT)	0x03	EXT	0x0D	Carriage return	0x0A	Line feed
------	-----	------	------------	---	-----------	---------------	---------------------	------------------	--------	------------	------	------------------	------	-----	------	-----------------	------	-----------

METAR Present Weather Partial Format

0x02	STX	7	Message ID	Sensor ID	System status	Message interval	Visibility distance	Visibility units	M or F	User alarms	0 0	Particle count (minute)	Intensity (mm/h)	SYNOP Code	METAR Code	Temperature (deg C)	Relative humidity*	XXXX	Checksum (CCITT)	0x03	EXT	0x0D	Carriage return	0x0A	Line feed
------	-----	---	------------	-----------	---------------	------------------	---------------------	------------------	--------	-------------	-----	-------------------------	------------------	------------	------------	---------------------	--------------------	------	------------------	------	-----	------	-----------------	------	-----------

METAR Present Weather Full format

0x02	STX	8	Message ID	Sensor ID	System status	Message interval	Visibility distance	Visibility units	M or F	Averaging duration	User alarms	0 0	System alarms 12 characters	0 0 0 0 . . .	Particle count (minute)	Intensity (mm/h)	SYNOP Code	METAR Code	Temperature (deg C)	Relative humidity*	XXXX	Checksum (CCITT)	0x03	EXT	0x0D	Carriage Return	0x0A	Line feed
------	-----	---	------------	-----------	---------------	------------------	---------------------	------------------	--------	--------------------	-------------	-----	--------------------------------	---------------	-------------------------	------------------	------------	------------	---------------------	--------------------	------	------------------	------	-----	------	-----------------	------	-----------

***Note:** relative humidity is only available if a CS215 temperature and RH sensor is attached. If not this field is “-99”.

Message ID break down	
Id	Definition
0	Basic format. Contains only distance and system information
1	Partial format. Contains user alarm outputs
2	Full format. Contains all system alarms codes
3	Basic SYNOP present weather format
4	Partial SYNOP present weather format
5	Full SYNOP present weather format
6	Basic METAR present weather format
7	Partial METAR present weather format
8	Full METAR present weather format

Sensor ID break down	
ID	Definition
0-9	Unit number defined by the user to aid identification of data. Zero by default. Useful for RS485 networks. Operates as an address in RS485 mode

System status break down⁽¹⁾	
Status level	Definition
0	No fault
1	Possible degraded performance
2	Degraded performance
3	Maintenance required

(1) System status break down reflects the highest level of severity of any active alarm.

Message interval	
Time	Definition
1-3600	The amount of time, in seconds, between outputs in continuous mode

Visibility distance break down	
ID	Definition
0-32,000 metres	Current visibility distance being detected by the sensor

Visibility units break down	
ID	Definition
M	Metres
F	Feet

Averaging duration break down (see note below)	
ID	Definition
1	One minute average
10	Ten minute average

Note: In accordance with WMO requirements the CS125 produces visibility measurement that are either one or ten minute rolling averages that are updated at the chosen output interval or when the sensor is polled. Those averages are not direct averages of MOR measurements but are averages of extinction coefficient and that average is then used to calculate the MOR for that period. As the relationship between extinction coefficient and MOR is not linear it is possible to see quite rapid changes in MOR that might not be expected if the result was a rolling average of MOR. Please consider this, especially when testing the sensor with artificial obscuration or using the calibration disc.

User alarms		
ID	Range	Definition
1	0-1	Visibility either less or greater than a user specified threshold
2	0-1	Visibility either less or greater than a user specified threshold

System alarms break down			
Alarm	Range	Severity ⁽²⁾	Definition
Emitter failure	0-2 ⁽¹⁾	3	The emitter hoods main LED output power level. 0 = Everything is within normal parameters 1 = Light output level too low 2 = Light output level too high
Emitter lens dirty	0-3	1	0 = OK. The reported attenuation is below 10%. 1 = Reported window signal value is too low (Possible sensor fault) 2 = Slight dirt build up (10% signal attenuation or higher) 3 = High level of dirt build up (The hood could be blocked)
Emitter temperature	0-3	1 or 2	0 = Temperature is within operating conditions 1 = Too low. Less than -40°C. 2 = Too high. Over 80°C. 3 = No sensor detected or below -54°C (Severity 2)
Detector lens dirty	0-3	1	0 = OK. The reported attenuation is below 10%. 1 = Reported window signal value is too low (Possible sensor fault) 2 = Slight dirt build up (10% signal attenuation or higher) 3 = High level of dirt build up (The hood could be blocked)
Detector temperature	0-3	1 or 2	0 = Temperature is within operating conditions. 1 = Too low. Less than -40°C. 2 = Too high. Over 80°C. 3 = No sensor detected or below -54°C (Severity 2)
Detector DC saturation level	0-1	1	The amount of background light as seen by the detector hood. 0 = Within limits 1 = Saturated. The CS125 no longer has enough head room to perform visibility readings in most circumstances.
Hood temperature	0-3	1 or 2	0 = Temperature is within operating conditions. 1 = Too low. Less than -40°C. 2 = Too high. Over 80°C. 3 = No sensor detected or below -56°C (Severity 2)
External temperature	0-3	1 or 2	0 = Temperature is within operating conditions. 1 = Too low. Less than -40°C. 2 = Too high. Over 80°C. 3 = No sensor detected or below -54°C (Severity 2)
Signature error	0-1	3	0 = Signature of entire flash matches the stored version 1 = Signature does not match previous readings
Flash read error	0-1	3	0 = No errors 1 = One or more errors reading user variables from flash occurred
Flash write error	0-1	3	0 = No errors 1 = One or more errors writing user variables to flash occurred
Particle limit	0-1	1	0 = No errors 1 = More particles detected than can be processed.

⁽¹⁾The emitter power level reporting too high will cause the CS125 to shut down and go into low power mode.

⁽²⁾The severity of the alarm. The higher the number the more serious the error is considered to be.

Particle count	
Range	Definition
0-7200	Value represented by an integer number of the current number of particle per minute. (-99 indicates either an error or that the sensor has been powered less than one minute)

Intensity value	
Range	Definition
0-100.0	Value represented by a single precision value of the last hours rainfall intensity in millimetres (-99 indicates either an error or that the sensor has been powered up less than minute)

SYNOP code	
Range	Definition
See section 10.2	SYNOP weather code for the last minute as defined by the WMO code table 4680. (-1 indicates either an error or that the sensor has been powered up less than a minute)

METAR code	
Range	Definition
See section 10.3	METAR weather code for the last minute as defined by the WMO code table 4678.

External temperature	
Range	Definition
-40.0 - +80.0°C	External temperature in degrees Celsius

Relative humidity	
Range	Definition
0 - 100	External relative humidity in %RH (-99 indicates either a fault or no CS215 T/RH sensor is connected)

11.4 Example CS125 message outputs

Basic format (visibility only)

0 9 0 6682 M ABCD

SYNOP present weather partial format

4 9 0 60 6682 M 0 0 54 4.5 63 20.2 91 ABCD

METAR present weather full format

8 9 0 60 6682 M 1 0 0 0 0 0 0 0 0 0 0 0 0 0 0 0 54 4.5 63 +RA 20.2 91 ABCD

Where:

- 9 is the sensor id
- 60 is the message interval (60 seconds)
- 6682 is the visibility in metres
- M is the visibility units (metres)
- 54 is particle count
- 4.5 is intensity (4.5 mm/hr)
- 63 is the SYNOP code (heavy rain)
- +RA is the METAR code (heavy rain)
- 20.2 is the temperature (20.2 deg. C)
- 91 is the RH (91%)
- ABCD is the checksum

11.5 SYNOP Codes produced by the CS125

The following SYNOP codes from WMO table 4680 can be output by the CS125.

- 00 No significant weather observed
- 04 Haze or smoke, or dust in suspension in the air, visibility equal to, or greater than, 1 km
- 05 Haze or smoke, or dust in suspension in the air, visibility less than 1 km

Note: Codes 04 and 05 will only be returned if a CS215 is present to provide relative humidity, otherwise they will default to mist (10) or fog (20, 30 or 35).

- 10 Mist

Code figures 20–26 are used to report precipitation, fog (or ice fog) or thunderstorm at the station during the preceding hour but not at the time of observation.

- 20 Fog
- 21 PRECIPITATION
- 22 Drizzle (not freezing) or snow grains
- 23 Rain (not freezing)
- 24 Snow
- 25 Freezing drizzle or freezing rain

- 30 FOG
- 35 Fog, depositing rime

- 40 PRECIPITATION

- 51 Drizzle, not freezing, slight
- 52 Drizzle, not freezing, moderate
- 53 Drizzle, not freezing, heavy
- 54 Drizzle, freezing, slight
- 55 Drizzle, freezing, moderate
- 56 Drizzle, freezing, heavy
- 57 Drizzle and rain, slight
- 58 Drizzle and rain, moderate or heavy

- 61 Rain, not freezing, slight
- 62 Rain, not freezing, moderate
- 63 Rain, not freezing, heavy
- 64 Rain, freezing, slight
- 65 Rain, freezing, moderate
- 66 Rain, freezing, heavy
- 67 Rain (or drizzle) and snow, slight
- 68 Rain (or drizzle) and snow, moderate or heavy

- 71 Snow, slight
- 72 Snow, moderate
- 73 Snow, heavy

11.6 METAR Codes produced by the CS125

The following METAR codes from WMO table 4678 can be output by the CS125.

UP Unidentified precipitation
HZ Haze
BR Mist
FG Fog
DZ Drizzle
RA Rain
SN Snow
SG Snow grains
PL Ice pellets

Notes:

HZ will only be reported if a CS215 is connected to allow relative humidity information to be available.

FZ (freezing) may be added as a descriptor in front of BR, FG, DZ and RZ

Intensity qualifiers, '-' for light, '+' for heavy, may be added in front of DZ, RA, SN, SG and PL

Combinations, for example RASN for rain and snow can be reported.

12. Interface methods – Device Configuration Utility/Command line/Menu

The CS125 can be setup and controlled in one of three ways.

The first method is by using Campbell Scientific's Device Configuration Utility Software (DevConfig) which is included with each delivery on the manuals/resource disk. This software allows an easy menu driven interface for configuring the CS125 on any Microsoft™ based personal computer. All settings can be accessed using this program.

The program includes online help instructions that describe its general use with the CS125 and also how to load an operating system.

The Device Configurator can also be used as a terminal emulator to use the built-in menu system of the CS125 and to access its calibration menu.

The second method is by using the command line interface where discrete commands are sent without response from the sensor. This would be the preferred method of setting up a CS125 if it was connected to a logger for instance. The configuration setting commands can be sent via a logger to the CS125 removing the need for a local PC to set up the unit.

The third method is by using the simple menu interface built into the CS125 communicating via RS232 or RS485, using a terminal emulator program. This menu system gives access to the more common settings.

All three of these methods use the CS125s serial port A to communicate with the sensor. Configuration cable part number 010817, described in section 8.1 can be used.

12.1 Configuring a PC for talking to the CS125

Described below is the procedure for setting up communications using a terminal emulator program. The terminal emulators built into many Campbell Scientific software products can also be used.

The following settings should then be used by default:

Bits per second: 38400
Data bits: 8
Parity: none
Stop bits: 1
Flow control: none

Ensure that if the baud rate of the unit has been adjusted and then the corresponding bits per second value is entered in the port settings of the terminal emulator. The CS125 should now be ready to accept commands.

It is possible to set the CS125 into the default communication state via one of the internal switches on the CS125 main board. See section 9.

13. Definition of the variables that can be set by the user on the CS125

Both DevConfig and the command line interface can access all the user configurable variables within the CS125. The acceptable range and the identification number for these variables are listed below along with a short description.

ID	Name	Range	Description	Factory default
1	Sensor ID	0-9	Separate ID used as an extra identifier for a particular CS125 on a network.	0
2	User Alarm 1 Enabled	0-1	User alarm one activation state 0 = Alarm one disabled 1 = Alarm one enabled	0
3	User Alarm 1 Active	0-1	0 = Check if distance is <i>less than</i> 'User alarm 1 Distance' 1 = Check if distance is <i>greater than</i> 'User alarm 1 Distance'	0
4	User alarm 1 Distance	0-60000	Distance value that alarm one will trigger against. This value will correspond to metres or feet depending upon which is selected in 'Visibility Unit'	10000
5	User Alarm 2 Enabled	0-1	User alarm two activation state 0 = Alarm two disabled 1 = Alarm two enabled	0
6	User Alarm 2 Active	0-1	0 = Check if distance is <i>less than</i> 'User alarm 2 Distance' 1 = Check if distance is <i>greater than</i> 'User alarm 2 Distance'	0
7	User alarm 2 Distance	0-60000	Distance value that alarm one will trigger against. This value will correspond to metres or feet depending upon which is selected in 'Visibility Unit'	10000
8	Baud rate	0-6	Baud rate for the main RS232/RS485 interface 0 = 115200 bps 1 = 57600 bps 2 = 38400 bps 3 = 19200 bps 4 = 9600 bps 5 = 2400 bps 6 = 1200 bps	2
9	Serial Number	0-32000	Internal serial number for the CS125. (<i>Read only</i>)	-
10	Visibility Unit	M or F	Unit the visibility value will be presented as. M = metres F = feet	M
11	Message Interval	1-3600	Interval in seconds between outputs in continuous mode. This value has no effect if polled mode has been selected in 'Measurement mode'	60
12	Measurement mode	0-1	Selects polled or continuous modes. In continuous mode the sensor will output a string in the format as set by 'Message Format' at regular intervals as defined by 'Continuous Interval'. 0 = Continuous mode 1 = Polled mode	0
13	Message Format	0-8	Level of detail outputted by polled or continuous modes 0, 1 and 2 = Basic, partial or full visibility messages 3, 4 and 5 = Basic, partial or full SYNOP messages 6, 7 and 8 = Basic, partial or full METAR messages	2

14	Serial port protocol	0-1	Selects the physical serial interface 0 = RS232 mode 1 = RS485 mode	0
15	Averaging period	1 or 10	The period of time that the visibility value should be averaged over. Either one minute or ten.	1
16	Sample timing	1-60	Used to define the time interval between sampling the volume. It is recommended that this value is left at one except when very low power demands are needed. For example: 1 = Sample every second 2 = Sample one second in every two 3 = Sample one second in every three etc.	1
17	Dew heater override	0-1	0 = Allow the CS125 to automatically control the dew heaters 1 = Turn the dew heaters off	0
18	Hood heater override ⁽¹⁾	0-1	0 = Allow the CS125 to automatically control the hood heaters 1 = Turn the hood heaters off	0
19	Dirty window compensation	0-1	0 = No compensation applied 1 = Compensation for dirt on lenses applied. The CS125 will compensate for up to 10% signal loss due to dirt per lens.	0
20	Use CRC	0-1	0 = Disable command line CRC checking ⁽²⁾ 1 = Enable command line CRC checking Note: this does not affect communications via DevConfig or terminal emulator.	0
21	Sensor power down voltage	7-30	PSU Input voltage level below which the CS125 will enter low power mode. This is usually used to protect batteries.	7.0
22	Relative humidity threshold	1-99	Threshold at which the CS125 will define obscuration as liquid or dry if a CS215 is fitted.	80%

(1) Hood heater override needs to be set to `1` (off) when either no hood heaters are installed or the hood heaters have no power connected to them. This will save power as the relay is not enabled at low temperatures in this mode.

(2) If disabled the sensor does not check the validity of received data against the checksum sent. It is, however, recommended that checksum checking is enabled to remove any chance of the CS125 being configured incorrectly by accident.

14. Command line mode

The command line interface is broken down into three major commands. These are GET, SET and POLL. The GET command is used to request all current user settable values from the CS125. The SET commands sets user settable values and the POLL command is used to request the current visibility and/or alarm conditions from the sensor.

The CS125 can be configured to expect any commands sent to it to include a valid checksum. For simple commands, e.g. GET and POLL, fixed value checksums can be used (see the example programs). For more complex SET commands the checksum needs to be calculated (see Appendix B). The use of the checksum is disabled by default. It is recommended that the checksum functionality is enabled where possible, especially when long cable runs are used, or in electronically noisy environments.

14.1 The SET command

The set command is used to configure the CS125 via the command line. The SET command is a single space delimited string that can be sent from any data logger or PC equipped with an RS232 or RS485 port. The SET command and the 'Device Configuration Utility' software access identical settings within the CS125, please refer to the 'Device Configuration Utility' section of this document for a more detailed breakdown of the setting available here. This command is used to change the default power up state of the sensor. See Section 14.2 if a setting is going to be changed on a regular basis e.g. heater controls.

See Section 12 for more information on the values used by the 'SET' command.

SET transmitted data	
Example	Description
0x02 ⁽¹⁾	STX ^B ⁽²⁾
:	Delimiting character
SET	SET
:	Delimiting character
0	Address based on Sensor ID
:	Delimiting character
	Sensor ID
	User Alarm 1 Set
	User Alarm 1 Active
	User Alarm 1 Distance
	User Alarm 2 Set
	User Alarm 2 Active
	User Alarm 2 Distance
	Serial Baud Rate
	<i>Sensor serial number (read only)</i>
	Visibility Units
	Message interval
	Polling Or Continuous modes
	Message Format (Basic/Partial/Full)
	RS232 or RS485 serial communications enabled
	Averaging Period
	Sample timing
	Dew heater override
	Hood heater override
	Dirty window compensation
	CRC checking on received commands
	Sensor power down voltage
	Relative humidity threshold
:	Delimiting character
XXXX	Checksum (use the valid CCITT checksum)
:	Delimiting character
0x03 ⁽¹⁾	ETX ^C ⁽²⁾
0x0D ⁽¹⁾	Carriage return
0x0A	Line feed

(1) These values are shown in hexadecimal format not ASCII.

(2) As entered on a keypad.

14.1.1 Example of a SET Command

•SET:0:0 1 1 1000 1 0 15000 2 0 M 60 1 2 0 1 1 0 0 0 1 7 :68A3:•

14.2 The SETNC Command

The format of the SETNC command is nearly exactly the same as the SET command. The only functional difference is that the SETNC command does not commit the values set into flash memory. This means that the next time the CS125 is power cycled it will revert back to its previous settings. This command should be used when a setting in the sensor is changed regularly, e.g. heater functions, as this command avoids the risk of wearing out the flash storage memory. Note: this includes communication data rates as well.

14.2.1 Example of a SETNC Command

•SETNC:0:0 1 1 1000 1 0 15000 2 0 M 60 1 2 0 1 1 0 0 0 1 7 80 :XXXX:•

14.3 The GET Command

The GET command retrieves settings data from the CS125, including message format data and user alarm settings amongst others. This command does not retrieve visibility or environmental information from the CS125. To retrieve visibility data refer to the POLL command.

The GET request

GET transmitted data	
Example	Description
0x02 ⁽¹⁾	STX (^B) ⁽²⁾
GET	GET
:	Delimiting character
0	Address based on Sensor ID
:	Delimiting character
0	Reserved for future use, zero default
:	Delimiting character
XXXX	Checksum
:	Delimiting character
0x03 ⁽¹⁾	ETX (^C) ⁽²⁾
0x0D ⁽¹⁾	Carriage return
0x0A	Line feed

(1) These values are shown in hexadecimal format not ASCII.

(2) As entered on a keypad

Example of a GET command

GET:0:0:XXXX:

Example data returned by the GET command – See Section 12 for more information on values returned by the 'GET' command

GET returned data	
Example	Description
0x02 ⁽¹⁾	STX
	Sensor ID
	User Alarm 1 Set
	User Alarm 1 Active
	User Alarm 1 Distance
	User Alarm 2 Set
	User Alarm 2 Active
	User Alarm 2 Distance
	Serial Baud Rate
	<i>Sensor serial number (read only)</i>
	Visibility Units
	Message interval
	Polling Or Continuous modes
	Message Format (Basic/Partial/Full)
	RS232 or RS485 serial communications enabled
	Averaging Period
	Sample timing
	Dew heater override
	Hood heater override
	Dirty window compensation
	CRC checking on received commands
	Sensor power down voltage 7.0
	Relative humidity threshold
:	Delimiting character
XXXX	Checksum
:	Delimiting character
0x04 ⁽¹⁾	EOT
0x0D ⁽¹⁾	Carriage return
0x0A	Line feed

(1) These values are shown in hexadecimal format not ASCII.

Example of a GET returned data

0 0 0 10000 0 0 10000 2 1009 M 30 0 2 1 1 1 0 0 0 1 11.5 D4FD

Explanation: -

Sensor ID = 0

User Alarm 1 not set

User Alarm 1 not active

User Alarm 1 distance = 10000 metres

User Alarm 2 not set

User Alarm 2 not active

User Alarm 2 distance = 10000 metres

Serial baud rate 2 (=38400Bd)

Serial number = 1009

Visibility Units = M

Continuous mode output interval = 30 seconds

Polling mode = 0 (continuous mode)

Message format = 2 (full message)

RS232 or RS485 serial communications = 1 (RS485)

Averaging period = 1 minute

Sample timing = 1 sample per second

Dew heater override = 0 (CS125 will automatically control the dew heaters)

Hood heater override = 0 (CS125 will automatically control the hood heaters)

Dirty window compensation = 0 (dirty window compensation off)

CRC checking on received commands = 1 (CRC checking enabled)

Sensor power down voltage = 11.5V

Checksum = D4FD

14.4 The POLL command – Polling the CS125

The POLL command requests the current visibility and/or alarm conditions from the CS125. The output format of this command depends on how the CS125 is configured using the SET command or the menu interfaces.

The POLL request

POLL transmitted data	
Example	Description
0x02 ⁽¹⁾	STX, ^B ⁽²⁾
POLL	POLL
:	Delimiting character
0	Address based on Sensor ID
:	Delimiting character
0	Reserved for future use, zero default
:	Delimiting character
XXXX	Checksum ⁽³⁾
:	Delimiting character
0x03 ⁽¹⁾	ETX, ^C ⁽²⁾
0x0D ⁽¹⁾	Carriage return
0x0A	Line feed

(1) These values are shown in hexadecimal format not ASCII.

(2) As entered on a keypad.

(3) Not case sensitive.

Example of a POLL request

```
POLL:0:0:XXXX:
```

NOTE The maximum response time to a poll command is 100 ms.

If the setting to check the checksum on received commands is enabled the checksum varies with the Sensor ID value.

15. Entering the CS125 menu system

The user can enter the menu system by typing 'open *id*' into their terminal program then pressing the return key on their keyboard. The *id* corresponds to the sensor ID number. The Sensor ID number can be in the range of 0 to 9. The factory default is 0.

NOTE The 'open 0' command is not normally echoed. The terminal menu only gives access to more common settings.

The following text should now be displayed:

```
WELCOME TO THE CAMPBELL SCIENTIFIC LTD CS125 SETUP
MENU
ID 0
S/N 1003
(1) Message output menu
(2) User alarm menu
(3) Calibrate CS125
(4) Communications setup
(5) System configuration

(9) Exit and save
(0) Exit and don't save

->
```

The displayed options are accessed simply by typing the corresponding number then pressing return. No changes will take effect until you 'Exit and Save'. The exception to this is the calibration menu, but you will be informed before any changes are made.

Typing '1' opens the message menu containing settings relating to the CS125's outputs.

Menu 1: The message output menu

```
CS125 MESSAGE - MENU 1
ID 0
S/N 1009
(1) Toggle message format:FULL
(2) Toggle units:METRES
(3) Toggle polled or continuous mode:CONTINUOUS
(4) Set continuous mode output interval:6 second(s)
(5) Toggle output averaging period: 1 minute(s)
(6) Sampling interval:1 second(s)

(9) Refresh
(0) Return to main menu
```

For example, typing '2' will toggle the units through the options 'METRES' and 'FEET' and typing '4' will allow the message interval to be entered.

Option (2) allows the User Alarms to be set, again by toggling through options or changing values.

Menu 2: The user alarm menu

```
CS125 ALARM - MENU 2
ID 0
S/N 1009
(1) Toggle user alarm one: DISABLED
(2) Toggle alarm one threshold: LESS THAN
(3) Set new user alarm one activation point: 10000 m
(4) Toggle user alarm two: DISABLED
(5) Toggle alarm two threshold: LESS THAN
(6) Set new user alarm two activation point: 10000 m

(9) Refresh
(0) Return to main menu

->
```

Option (3) is the calibration menu

Menu 3: The calibration menu

```
CS125 CALIBRATION - MENU 3
ID 0
S/N 1003
(1) Perform calibration
(2) Restore the factory calibration
(3) Perform dirty windows zero offset calibration
(4) Restore dirty windows factory calibration

(9) Refresh
(0) Return to main menu

->
```

Consult the 'calibration' section of this manual for information on how to calibrate the CS125 present weather sensor.

NOTE

Once a calibration is finished changes are immediate, but factory calibrations can be restored if needed using Option '(2)' in the calibration menu. The disk constants however remain as the last disk used.

Option (4) gives the systems information menu containing useful information such as temperature and system alarms.

Menu 4: The system information menu

```

CS125 INFORMATION - MENU 4
ID 0
S/N 1003
OS version: 007646v1

Alarm      Value
- Last visibility reading:    -      3258M
- Overall system status:     0      No faults
- Emitter dirty window alarm: 0      0%
- Emitter internal temperature: 0      38.4
- Detector dirty window alarm: 0      0%
- Detector internal temperature: 0      31.0
- Detector DC light saturation: 0      -
- Hood heater temperature:    0      25.6
- CS125 Calibrator Serial No: -      1000
- CS125 Calibrator Constant:  -      30.5
- Calibration value Fac offset: -      -0.026
- Calibration value Fac scale: -      0.02682
- Calibration value Cal offset: -      -0.026
- Calibration value Cal scale: -      0.02682
- Signature fault:           0      -
- Flash write errors:        0      0
- Flash read errors:         0      0
- Supply voltage:            <7.0V   11.3V
- Aux supply voltages:       +5V=5.0  -5V=-5.1
                               +6V=5.9
- External temperature:      0      26.4
- Present weather mode enabled

(8) Get debug
(9) Refresh
(0) Return to main menu

->
    
```

If either of the dirty window alarms are set it is recommended you follow the cleaning section of this manual (Section 18).

If there is a flash error or signature error it is recommended that you contact Campbell Scientific.

The sensor power down voltage shown before the supply voltage is only available if the sensor is running firmware version 4 or later and only functional for sensors with serial number greater than E1029.

Menu 5: The communication menu

```

CS125 COMMUNICATIONS - MENU 5
ID 0
S/N 1009
(1) Set sensor ID
(2) Set RS232/RS485 baud rate:38400
(3) Toggle RS232/RS485 modes:RS232

(9) Refresh
(0) Return to main menu

->

```

The communications menu is used to set baud rates and the mode of operation (RS232/RS485).

NOTE

No change will take effect until you `exit and save`.

Menu 6: Configuration

```

CS125 CONFIGURATION - MENU 6
ID 0
S/N 1003
(1) Dew heater override:          AUTOMATIC
(2) Hood heater override:        AUTOMATIC
(3) Dirty window compensation:    NO COMPENSATION
(4) Command line CRC Checking:    DO NOT CHECK
(5) Sensor power down voltage:    7.0V
(6) RH threshold: 80%

(9) Refresh
(0) Return to main menu

->

```

This menu sets dew and hood heaters to automatic or off, dirty window compensation and CRC checking. In addition it allows the sensor power down voltage to be set. If set this will shut down the CS125 before the battery voltage has fallen low enough to damage a back-up battery. The RH threshold can also be set from this menu. This applies if a CS215 sensor is attached and defined the level of RH below which obscuration is deemed to be dry (that is haze, SYNOP 04 or 05, METAR HZ) rather than wet (mist, SYNOP 10, METAR BR or fog, SYNOP 30 etc. METAR FG).

Menu 9 and 0: Exiting the menu system

Options `9` and `0` exit from the menu system. Note that typing `0` will lose all changes made including communications settings.

```
CAMPBELL SCIENTIFIC LTD CS125 menu exited.
```

16. Calibrating the CS125

The CS125 can be checked and adjusted using the optional CS125 calibrator part number 010816. The calibration must be run using the onboard menu system. If you have Campbell Scientific's Device configuration program a terminal emulation screen is provided in the CS125 screens to let you access this function. To perform the calibration you will need a CS125 calibrator disk and a computer with a standard serial port compatible with the CS125. If your CS125 is not currently configured for RS232 communications you can set the internal switch, switch three, to temporarily set the sensor to RS232 mode 38400bps. If the sensor is already set in RS232 mode it should not be necessary to change any internal switches. (See Section 10 for more information on the CS125 internal switches.)

The test should ideally be performed in the following conditions:

- Ambient temperature should be 20°C +/-10°C
- The local visibility should be approximately 10,000 metres or higher.

The system is self-regulating. However, it is recommended that the CS125 is calibrated at least every two years.

The calibration is performed from menu item 3 on the main terminal screen. Please refer to the menu section (Section 13) of this manual for further information on how to access this menu.

Once you have selected menu item 3 you should be presented with the following screen.

```
CS125 CALIBRATION - MENU 3
ID 0
S/N 1009
(1) Perform calibration
(2) Restore the factory calibration

(9) Refresh
(0) Return to main menu
```

Select option 1 to start the calibration. You will then be asked to confirm that you would like to perform a calibration. Please note, once you have entered yes at this point you will not be able to exit until the test is complete. However, power cycling the unit at this point will have no adverse effect on the sensor.

```
Do you want to perform a calibration Y/N?
```

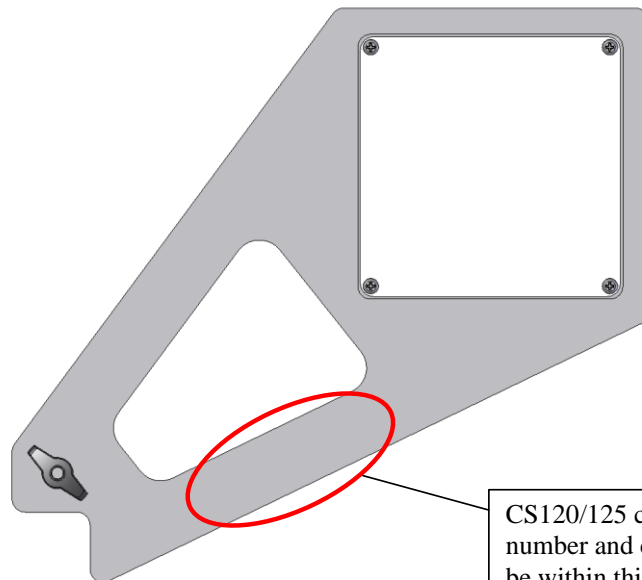
Once you have started the tests you will be asked for the CS125 calibrator serial number and coefficient with a confirmation at each step giving you the chance to correct typing mistakes.

NOTE

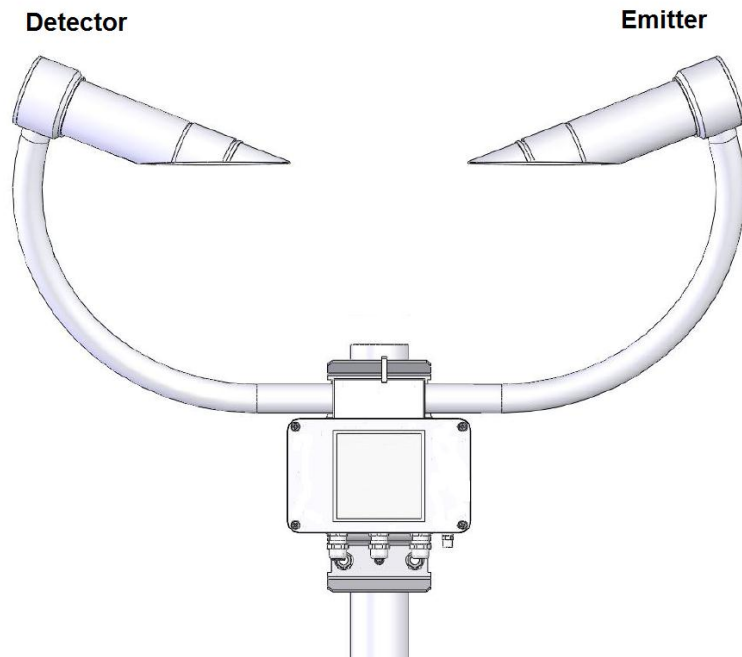
When asked for confirmation you do not need to press return after you type 'y'.

```
Starting calibration.
Input the CS125 calibrator serial number ->12345
Is 12345 correct? (Y/N)?
Input the CS125 calibrator constant ->10000
Is 10000 correct? (Y/N)?
```

Place one calibration bung into each hood, then press any key.



When you have entered the calibrator information the sensor will wait for you to place the foam bungs into the sensor hoods. The bungs are designed to block all light from the outside reaching inside the head. Place one bung into each hood. If either of the bungs are damaged or appear to have any gaps around the edge please contact Campbell Scientific.



Starting dark level calibration.
This test will take approximately two minutes

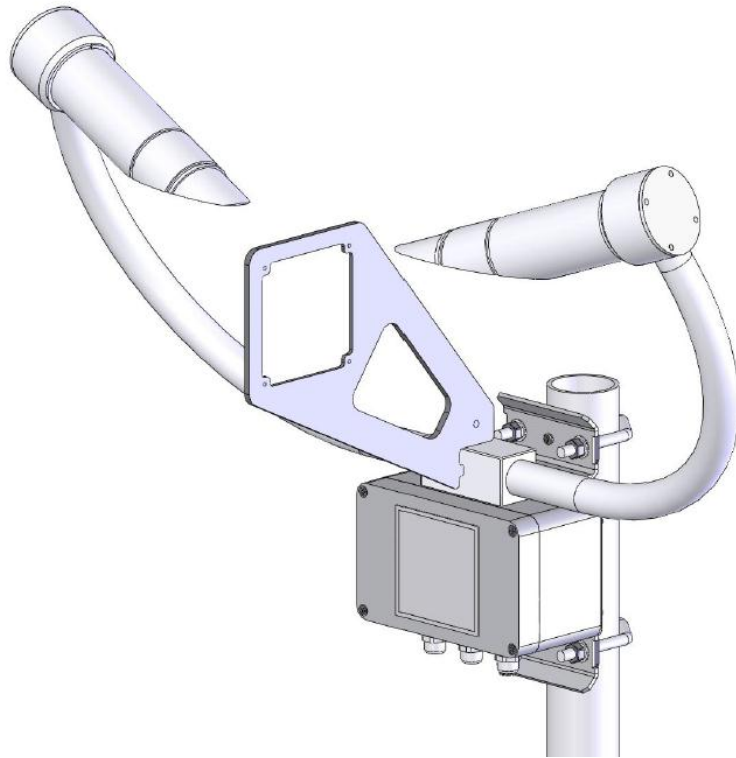
This part of the test will take approximately two minutes. Every ten seconds a dot should appear indicating that the test is progressing as normal.

Dark level test complete. Please remove the bungs.
Now place the CS125 calibrator into the sampling volume.
Press any key once this is done.

Remove the bungs once the sensor instructs you to. Place the CS125 calibrator into the volume by fastening it to the central mounting point.

NOTE

At this stage it is advisable to clean the lenses. Refer to Section 18 'Cleaning' for more information. A simple visual check may be enough to confirm the lenses are clean.



```
Starting light level calibration.  
This test will take approximately two minutes.
```

This part of the test will take approximately two minutes. Every ten seconds a dot should appear indicating that the test is progressing as normal.

```
Calibration is now complete.  
Saving user settings  
Press any key to exit.
```

Once the second stage of the test has been completed the new calibration constants will be saved automatically. All calibration constants including both the user and the factory setting can be viewed from menu item 4 from the main menu once the test is completed.

17. Performing a firmware update

Firmware updates for the CS125 present weather sensor are performed using Campbell Scientific's Device Configuration Utility (DevConfig) software. Please refer to the help built into the DevConfig software for full instructions on how to update the CS125 firmware.

18. Cleaning

The CS125 present weather sensor is a robust instrument that will provide years of uninterrupted weather monitoring. Calibration of the instrument is carried out at the factory and can be redone easily on site with the optional CS125 calibrator or carried out by Campbell Scientific if required. Only general cleaning of the lenses is required to keep the sensor working efficiently.

Cleaning of the CS125 will be required from time to time to ensure that the lenses are free from contaminants. The frequency of required cleaning depends on the exposure of the instrument to such contaminants. This will vary depending on the site location. The CS125 is capable of self diagnosing dirty lenses and will indicate in its output when the lenses are contaminated to such a degree that its visibility measurements may be affected.

NOTE

A lower level of contamination than is detected by the dirty window alarms, can affect the visibility measurements. The sensor can be configured to attempt to make a correction for contamination although the accuracy of that correction depends on the 'type of dirt'.

We suggest 6 monthly intervals for locations not prone to contaminants and monthly intervals for those prone to contamination (roadside or airport use). In some cases more frequent cleaning may be required where there are high levels of contaminants and high dependency on the instrument output.

CAUTION

If the lenses require cleaning, it is very important that only a proper lens cloth or lens tissue be used. The use of inappropriate materials to clean the lenses can permanently damage or reduce the effectiveness of the lenses leading to errors in measurement of precipitation and visibility.

It is advisable to use an air duster to blow any loose dust and dirt from the lenses as a first step. Using a lint free lens cloth or lens tissue impregnated with a small amount of isopropyl alcohol solvent clean the lens surface by dragging the cloth across the lens surface being careful not to apply excessive pressure.

Excessive pressure may lead to some types of contaminant scratching the lens surface. Over time such scratches can lead to reduced sensor accuracy.

NOTE

Spiders webs and certain 'fluffy' seeds which get lodged in the optical path can lead to the sensor permanently giving low readings as they can emulate precipitation. Cleaning the contamination away with a duster will return the sensor to normal operation.

If spiders are a persistent problem, using some carefully applied insecticide can deter them.

19. Lubricating the enclosure screws

The CS125 enclosure screws should be lubricated with a suitable anti-seize grease (often copper loaded) to protect the threads from corrosion. This should be reapplied when resealing the enclosure at regular intervals, normally after replacing the desiccant. This is of particular importance if using the sensor in corrosive or salt laden atmospheres.

20. Desiccant

Two bags of desiccant are supplied. One is inside the enclosure, the other is separate and sealed in a plastic bag. Desiccant use depends on your application but for use in typical temperature conditions one bag is sufficient for a twelve month period. The desiccant should be placed inside the enclosure taking care that it is not trapped between the lid and the enclosure when the lid is replaced.

The second bag of desiccant should be kept in the plastic shipping bag as a replacement for when the initial bag needs to be dried out. The bags can be rotated in this way many times. Desiccant bags can be dried out by the following method:

1. Arrange the bags on a wire tray in a single layer to allow for adequate air flow around the bags during the drying process. The oven's inside temperature should be room or ambient temperature (25°C - 30°C). A convection, circulating, forced air type oven is recommended for this regeneration process. Seal failures may occur if any other type of heating unit or appliance is used.
2. When placed in a forced air, circulating air, or convection oven, allow a minimum of 4 to 5 cm of air space between the top of the bags and the next metal tray above the bags. If placed in a radiating exposed infrared element type oven, shield the bags from direct exposure to the heating element, giving the closest bags a minimum of 40 cm clearance from the heat shield. Excessive surface film temperature due to infrared radiation will cause the Tyvek material to melt and/or the seals to fail. Seal failure may also occur if the temperature is allowed to increase rapidly. This is due to the fact that the water vapour is not given sufficient time to diffuse through the Tyvek material, thus creating internal pressure within the bag, resulting in a seal rupture. Temperature should not increase faster than 0.1°C to 0.3°C per minute.
3. Set the temperature of the oven to 118°C, and allow the bags of desiccant to reach equilibrium temperature.

CAUTION

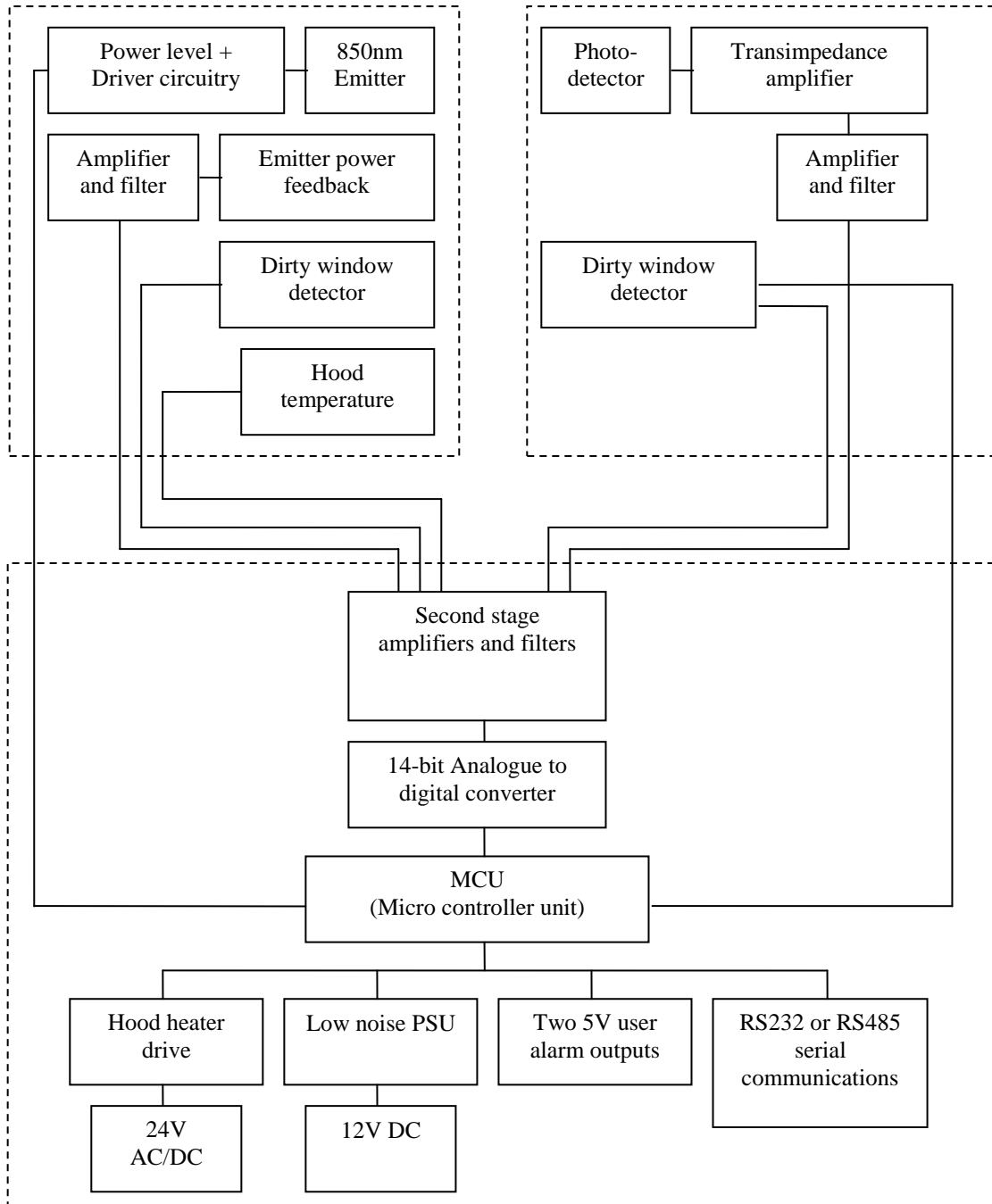
Tyvek has a melting temperature of 121°C - 127°C.

(NON MIL-D-3464E activation or reactivation of both silica gel and Bentonite clay can be achieved at temperatures of 104°C).

4. Desiccant bags should be allowed to remain in the oven at the assigned temperature for 24 hours. At the end of this period, the bags should be immediately removed and placed in a desiccators jar or dry (0% relative humidity) air tight container for cooling. If this procedure is not followed precisely, any water vapour driven off during reactivation may be re-adsorbed during cooling and/or handling.

5. After the bags of desiccant have been allowed to cool in an airtight desiccator, they may be removed and placed in either an appropriate type polyliner tightly sealed to prevent moisture adsorption, or a container that prevents moisture from coming into contact with the regenerated desiccant. Some care should be taken when re-activating desiccant bags. If heated in an oven which is too hot, the bags may burst. If in any doubt, we recommend purchasing new desiccant packs instead of oven drying. Failure to use or exchange the desiccant may lead to condensation inside the enclosure. Not only will this lead to corrupted data but, in the long term, can also cause corrosion which is expensive to repair.

Appendix A. CS125 block diagram



Appendix B. Example C code of the CCITT CRC

The code below is provided as an example for programmers implementing their own code to communicate with the sensor. Users using Campbell loggers can use the Checksum command in CRBasic to generate a CCITT checksum. Command: Checksum/ChkSumString,1,0).

The checksum includes all characters excluding the SOT, EOT and the checksum itself.

The SET and SETNC commands also exclude the two delimiting `:` characters, one on each side of the checksum itself.

```
//-----  
// Creates a CCITT CRC16 checksum seeded with 0x0000 (XModem style) using a  
// fast non table based algorithm.  
// Pass in the data to convert into a CRC in the form of a NULL terminated  
// character array (a string).  
// Returns the CRC in the form of an unsigned 16 bit integer value  
// Note: This algorithm has only been tested on a native 16-bit processor with  
//       a hardware barrel shifter  
//       All integers are 16-bits long  
//-----  
unsigned int CRC_CCITT(char LineOfData[]){  
  
    unsigned int crc; // returned CRC value  
    unsigned int i;  // counter  
  
    crc = 0x0000;  
  
    // create a check sum for the incoming data  
    for(i=0;i < strlen(LineOfData); i++){  
        unsigned crc_new = (unsigned char)(crc >> 8) | (crc << 8);  
        crc_new ^= LineOfData[i];  
        crc_new ^= (unsigned char)(crc_new & 0xff) >> 4;  
        crc_new ^= crc_new << 12;  
        crc_new ^= (crc_new & 0xff) << 5;  
        crc = crc_new;  
    }  
  
    return(crc);  
}
```


Appendix C. Example CRBasic programs

C.1 CRBasic read program

```
'CR800
'Demonstration program to read data from a CS125 set to continuous output
'with the full SYNOP (default) message being transmitted
'Note: The CS125 emits this message every minute by default.

Public Visibility
'These variables could be defined as DIM in a final program

Public InString As String * 100 'Incoming string
Public SerialIndest(27) As String, NBytesReturned
Public ChecksumOK As Boolean

Public lngCRCCalc As Long, lngCRCMsg As Long
'Define the aliases for the full message
Alias SerialIndest(1)=Message_ID '0..2
Alias SerialIndest(2)=Sensor_ID '0..9
Alias SerialIndest(3)=System_status '0..3
Alias SerialIndest(4)=Interval_time '1..3600
Alias SerialIndest(5)=Visibilitystr '0..32000 metres
Alias SerialIndest(6)= VisibilityUnits 'M or F for Metres or Feet
Alias SerialIndest(7)=Averaging_duration '1 or 10 minutes
Alias SerialIndest(8)=User_alarm_1 '0..1 - Visibility compared to Threshold One
Alias SerialIndest(9)=User_alarm_2 '0..1 - Visibility compared to Threshold Two
Alias SerialIndest(10)=Emitter_failure '0..2 - Emitter Failure
Alias SerialIndest(11)=Emitter_lens_dirty '0..3 - Emitter Lens Dirty
Alias SerialIndest(12)=Emitter_temp_error '0..3 - Emitter Temperature
Alias SerialIndest(13)=Detector_lens_dirty '0..3 - Detector Lens Dirty
Alias SerialIndest(14)=Detector_temp_error '0..3 - Detector Temperature
Alias SerialIndest(15)=Detector_saturated '0..1 - Detector DC Saturation Level
Alias SerialIndest(16)=Hood_temp_error '0..3 - Hood Temperature
Alias SerialIndest(17)=External_temp_error '0..3 - External Temperature
Alias SerialIndest(18)=Signature_error '0..1 - Signature Error
Alias SerialIndest(19)=Flash_read_error '0..1 - Flash Read Error
Alias SerialIndest(20)=Flash_write_error '0..1 - Flash Write Error
Alias SerialIndest(21)=Particle_Limit_error '0 or 1 - Particle limit reached
Alias SerialIndest(22)=Particle_Count
Alias SerialIndest(23)=Intensity 'mm/h
Alias SerialIndest(24)=SYNOP_code
Alias SerialIndest(25)=Temperature 'deg C
Alias SerialIndest(26)=Relative_Humidity '%, 0..100
Alias SerialIndest(27) = checksumrx 'CCITT Checksum
'Define the serial port to which the CS125 is connected - amend as needed
Const CS125_Compport = COM1
'Main Program
BeginProg
  'Open the logger serial port to which the CS125 is connected
  SerialOpen (CS125_Compport,38400,3,0,1000)

  Scan(10,Sec,1,0)
  'Sensor emits a message every 60 seconds by default so this will fail 5
  'times out of 6 with a 10 second scan
```

```
SerialInRecord(CS125_Comport,InString,&h02,0,&h03,NBytesReturned,01)
'Check that a message has been recieved first
If NBytesReturned > 0 Then
  'Split out the Data into strings
  SplitStr (SerialIndest(),InString," ",27,5)
  'Check the received checksum is valid
  'Calculate the expected checksum
  lngCRCCalc = CheckSum(InString,1,NBytesReturned-5)
  'Extract the checksum from the message & convert it for comparison
  lngCRCMsg = HexToDec(checksumrx)
  ChecksumOK = ( lngCRCMsg = lngCRCCalc)
  'In critical applications the visibility can be set to NaN if the system status
  'is degraded or a critical error flag is set.
  If ChecksumOK Then Visibility = Visibilitystr Else Visibility =NaN
EndIf
'Call data storage commands here
NextScan
EndProg
```

C.2 CRBasic POLL program

```
'CR800
'Demonstration program to read data from a CS125 set to polled output
'with the full SYNOP (default) message being transmitted
'Note: the sensor needs to be configured to behave like this, it is not setup by this
program.

Public Visibility

'These variables could be defined as DIM in a final program

Public InString As String * 100 'Incoming string
Public SerialIndest(27) As String, NBytesReturned
Public ChecksumOK As Boolean

Public lngCRCCalc As Long, lngCRCMsg As Long
'Define the aliases for the full message
Alias SerialIndest(1)=Message_ID '0..2
Alias SerialIndest(2)=Sensor_ID '0..9
Alias SerialIndest(3)=System_status '0..3
Alias SerialIndest(4)=Interval_time '1..3600
Alias SerialIndest(5)=Visibilitystr '0..32000 metres
Alias SerialIndest(6)= VisibilityUnits 'M or F for Metres or Feet
Alias SerialIndest(7)=Averaging_duration '1 or 10 minutes
Alias SerialIndest(8)=User_alarm_1 '0..1 - Visibility compared to Threshold One
Alias SerialIndest(9)=User_alarm_2 '0..1 - Visibility compared to Threshold Two
Alias SerialIndest(10)=Emitter_failure '0..2 - Emitter Failure
Alias SerialIndest(11)=Emitter_lens_dirty '0..3 - Emitter Lens Dirty
Alias SerialIndest(12)=Emitter_temp_error '0..3 - Emitter Temperature
Alias SerialIndest(13)=Detector_lens_dirty '0..3 - Detector Lens Dirty
Alias SerialIndest(14)=Detector_temp_error '0..3 - Detector Temperature
Alias SerialIndest(15)=Detector_saturated '0..1 - Detector DC Saturation Level
Alias SerialIndest(16)=Hood_temp_error '0..3 - Hood Temperature
Alias SerialIndest(17)=External_temp_error '0..3 - External Temperature
Alias SerialIndest(18)=Signature_error '0..1 - Signature Error
Alias SerialIndest(19)=Flash_read_error '0..1 - Flash Read Error
Alias SerialIndest(20)=Flash_write_error '0..1 - Flash Write Error
Alias SerialIndest(21)=Particle_Limit_error '0 or 1 - Particle limit reached
Alias SerialIndest(22)=Particle_Count
Alias SerialIndest(23)=Intensity 'mm/h
Alias SerialIndest(24)=SYNOP_code
Alias SerialIndest(25)=Temperature 'deg C
Alias SerialIndest(26)=Relative_Humidity '%, 0..100
Alias SerialIndest(27) = checksumrx 'CCITT Checksum
'Define the serial port to which the CS125 is connected - amend as needed
Const CS125_Comport = COM1

'Preload the poll command for a sensor for address 0, in this example
'If the sensor has a different address uncomment the relevant line
Const CS125_Poll = CHR(2) &"POLL:0:0:3A3B:" &CHR(3) &CHR(13) 'address 0
'Const CS125_Poll = CHR(2) &"POLL:1:0:0D0B:" &CHR(3) &CHR(13) 'address 1
'Const CS125_Poll = CHR(2) &"POLL:2:0:545B:" &CHR(3) &CHR(13) 'address 2
'Const CS125_Poll = CHR(2) &"POLL:3:0:636B:" &CHR(3) &CHR(13) 'address 3
'Const CS125_Poll = CHR(2) &"POLL:4:0:E6FB:" &CHR(3) &CHR(13) 'address 4
'Const CS125_Poll = CHR(2) &"POLL:5:0:D1CB:" &CHR(3) &CHR(13) 'address 5
'Const CS125_Poll = CHR(2) &"POLL:6:0:889B:" &CHR(3) &CHR(13) 'address 6
'Const CS125_Poll = CHR(2) &"POLL:7:0:BFAB:" &CHR(3) &CHR(13) 'address 7
```

```
'Const CS125_Poll = CHR(2) &"POLL:8:0:939A:" &CHR(3) &CHR(13) 'address 8
'Const CS125_Poll = CHR(2) &"POLL:9:0:A4AA:" &CHR(3) &CHR(13) 'address 9

'Main Program
BeginProg
  'Open the logger serial port to which the CS125 is connected
  SerialOpen (CS125_Comport,38400,3,0,1000)
  Scan(10,Sec,1,0)
    'The sensor is polled every 10 seconds
    SerialOut(CS125_Comport,CS125_Poll,"",0,100)
    SerialInRecord(CS125_Comport,InString,&h02,0,&h03,NBytesReturned,01)
    'Check that a message has been recieved first
    If NBytesReturned > 0 Then
      SplitStr (SerialIndest(),InString," ",27,5)
      'Check the received checksum is valid
      'Calculate the expected checksum
      lngCRCCalc = CheckSum(InString,1,NBytesReturned-5)
      'Extract the checksum from the message & convert it for comparison
      lngCRCMsg = HexToDec(checksumrx)
      ChecksumOK = ( lngCRCMsg = lngCRCCalc)
      'In critical applications the visibility can be set to NaN if the system status
      'is degraded or a critical error flag is set.
      If ChecksumOK Then Visibility = Visibilitystr Else Visibility =NaN
    EndIf
    'Call data storage commands here
  NextScan
EndProg
```

C.3 Example CRBasic SET program

```

'-----
' CS125 Visibility
'
' Program to test the SET command part of the command line interface on the CS125
' Do not run this script for extended periods of time (days!) as it writes
' to flash over and over and will eventually wear the flash out
' Logger:CR1000
'-----

Public InString As String * 200
Public TempString As String *100

' Variables for the SET command subroutine
Dim CS125CArray(21) As String * 6 ' CS125 Command Array

'-----
' This function creates a SET command string for the
' CS125 visibility sensor. Including all delimiting
' characters and checksums
' then returns the string in "CS125CommandString"
' Array variable order is as follows:
' 1. Sensor ID
' 2. User Alarm 1 Set
' 3. User Alarm 1 Active
' 4. User Alarm 1 Distance
' 5. User Alarm 2
' 6. User Alarm 2 Active
' 7. User Alarm 2 Distance
' 8. Serial BaudRate
' 9. Serial number (Read only so not used)
' 10. Visibility Units
' 11. Continuous mode output interval
' 12. Polling Or Continuous modes
' 13. Message Format (Basic/Partial/Full)
' 14. RS232 or RS485 serial communications enabled
' 15. Averaging Period
' 16. Sample timing
' 17. Dew heater override
' 18. Hood Heater override
' 19. Dirty window compensation
' 20. Use CRC checking
' 21. PSU input voltage shutdown level
Function CS125_SETCommand As String *100
  Dim TempStringFunc As String * 100
  Dim CS125CommandString As String * 100
  Dim i As Long
  Dim CheckVal As Long

  ' Create a string containing the values going out to the CS125
  TempStringFunc = "SET:0:"
  For i = 1 To 21
    TempStringFunc = TempStringFunc + CS125CArray(i) + " "
  Next
  ' Create a check sum of the values going out

```

```

    CheckVal = CheckSum (TempStringFunc,1,0)    ' Use the CCITT CRC16 checksum
    ' Create final string going out to CS125 including start characters and end
characters
    CS125CommandString = CHR(2) + TempStringFunc + ":" + FormatLong (CheckVal,"%04X") +
":" + CHR(3) + CHR(13) + CHR(10)
    'CS125CommandString = CHR(2) + TempStringFunc + CHR(3) + CHR(13) + CHR(10) ' Use
this line if no checksum is desired
    Return(CS125CommandString)
EndFunction
'-----

'Main Program
BeginProg

' open port to the visibility sensor using Com1
SerialOpen (Com1,38400,3,0,10000)

' Note: Change the following array variable to suit your own application
' load example/dummy values into the array
CS125CArray(1) = 0        ' Set ID to 0
CS125CArray(2) = 1        ' Enable alarm 1
CS125CArray(3) = 1        ' Set alarm 1 to if greater than
CS125CArray(4) = 1000    ' Set alarm 1 trigger distance to 1000
CS125CArray(5) = 1        ' Enable alarm 2
CS125CArray(6) = 0        ' Set alarm 2 to if less than
CS125CArray(7) = 15000   ' Set alarm 2 trigger distance to 15000
CS125CArray(8) = 2        ' Set serial baud rate to 38400bps
CS125CArray(9) = 0        ' Read only so dummy value added here, but not needed
CS125CArray(10) = "M"    ' Set unit type to metres (use upper case)
CS125CArray(11) = 60      ' Set output period to 60 seconds
CS125CArray(12) = 1        ' Polling mode
CS125CArray(13) = 2        ' Set FULL output message format
CS125CArray(14) = 0        ' Set RS232 serial mode
CS125CArray(15) = 1        ' Set averaging over one minute
CS125CArray(16) = 1        ' Set sample timing to one second
CS125CArray(17) = 0        ' Set dew heaters to automatic
CS125CArray(18) = 0        ' Set hood heaters to automatic
CS125CArray(19) = 0        ' Don't use dirty window compensation
CS125CArray(20) = 1        ' Use CRC checking on incoming command line data
CS125CArray(21) = 7.0     ' Set Low voltage battery shutdown to a very low value so
it doesn't trigger

' Send information once every 10 seconds
Scan (10,Sec,0,0)

TempString = CS125_SETCommand()    ' Create the outgoing string
SerialOut (Com1,TempString,"",0,100) ' Send SET command to the CS125

Delay (1,1,Sec)

SerialIn (InString,Com1,100,0,1000) ' Grab returned data from the CS125
                                     ' Returned data is identical to the
                                     ' data a GET command would return

NextScan
EndProg

```

C.4 Example CRBasic SETNC Command

```

'-----
' CS125 Visibility
'
' Program to test the SETNC command part of the command line interface on the CS125
' This command does not commit the settings to flash so settings will be lost if
' the sensor is power cycled
' This example uses a CS215 temperature and humidity probe to determine dew point.
' The CS125s hood heaters are then turned on only when needed, this is to save
power.
' Logger:CR1000
'-----

'Declare Public Variables
Public InStringSETNC As String * 200
Public InStringGET As String * 200
Public TRHData(2)
Public OutString As String * 40, CheckVal

Dim CS125CArray(21) As String * 6 ' CS125 Command Array
Dim TempDewPoint
Dim StatusDewHeater
Dim TempString As String * 100

Alias TRHData(1)=AirTC
Alias TRHData(2)=RH

'-----
' This function creates a SETNC command string for the
' CS125 visibility sensor. Including all delimiting
' characters and checksums then returns the string
' in "CS125CommandString"
' Array variable order is as follows:
' 1. Sensor ID
' 2. User Alarm 1 Set
' 3. User Alarm 1 Active
' 4. User Alarm 1 Distance
' 5. User Alarm 2
' 6. User Alarm 2 Active
' 7. User Alarm 2 Distance
' 8. Serial BaudRate
' 9. Serial number (Read only so not used)
' 10. Visibility Units
' 11. Continuous mode output interval
' 12. Polling Or Continuous modes
' 13. Message Format (Basic/Partial/Full)
' 14. RS232 or RS485 serial communications enabled
' 15. Averaging Period
' 16. Sample timing
' 17. Dew heater override
' 18. Hood Heater override
' 19. Dirty window compensation
' 20. Use CRC checking
' 21. PSU input voltage shutdown level
Function CS125_SETNCCommand As String *100
  Dim TempStringFunc As String * 100

```

```

    Dim CS125CommandString As String * 100
    Dim i As Long
    Dim CheckVal As Long

    ' Create a string containing the values going out to the CS125
    TempStringFunc = "SETNC:0:"
    For i = 1 To 21
        TempStringFunc = TempStringFunc + CS125CArray(i) + " "
    Next
    ' Create a check sum of the values going out
    CheckVal = CheckSum (TempStringFunc,1,0) ' Use the CCITT CRC16 checksum
    ' Create final string going out to CS125 including start characters and end
    characters
    CS125CommandString = CHR(2) + TempStringFunc + ":" + FormatLong (CheckVal,"%04X") +
    ":" + CHR(3) + CHR(13) + CHR(10)

    'CS125CommandString = CHR(2) + TempStringFunc + CHR(3) + CHR(13) + CHR(10) ' Use this
    line if no checksum is desired
    Return(CS125CommandString)
EndFunction
'-----

'Main Program
BeginProg

    ' Open port to the visibility sensor using Com1
    SerialOpen (Com1,115200,3,0,10000)

    ' Note: Change the following array variable to suit your own application
    ' load example/dummy values into the array
    ' Loading the array is not strictly necessary, but is done as a fail safe in
    ' case the GET command does not return data
    CS125CArray(1) = 0          ' Set ID to 0
    CS125CArray(2) = 0          ' Disable alarm 1
    CS125CArray(3) = 1          ' Set alarm 1 to if greater than
    CS125CArray(4) = 10000      ' Set alarm 1 trigger distance to 10000
    CS125CArray(5) = 0          ' Disable alarm 2
    CS125CArray(6) = 0          ' Set alarm 2 to if less than
    CS125CArray(7) = 10000      ' Set alarm 2 trigger distance to 10000
    CS125CArray(8) = 0          ' Set serial baud rate to 115200bps
    CS125CArray(9) = 0          ' Read only so dummy value added here, but not needed
    CS125CArray(10) = "M"       ' Set unit type to metres (use upper case)
    CS125CArray(11) = 60        ' Set output period to 60 seconds
    CS125CArray(12) = 1         ' Polling mode
    CS125CArray(13) = 2         ' Set FULL output message format
    CS125CArray(14) = 0         ' Set RS232 serial mode
    CS125CArray(15) = 1         ' Set averaging over one minute
    CS125CArray(16) = 1         ' Set sample timing to one second
    CS125CArray(17) = 0         ' Set dew heaters to automatic
    CS125CArray(18) = 0         ' Set hood heaters to automatic
    CS125CArray(19) = 0         ' Don't use dirty window compensation
    CS125CArray(20) = 1         ' Use CRC checking on incoming command line data
    CS125CArray(21) = 7.0       ' Set Low voltage battery shutdown to a very low value so it
    doesn't trigger

StatusDewHeater=False

    Scan (10,Sec,0,0)

```

```

'CS215 Temperature & Relative Humidity Sensor measurements AirTC and RH
SDI12Recorder(TRHData(),5,"0","M!",1,0)

'Calculate DewPoint
DewPoint(TempDewPoint,AirTC,RH)

' Gather the current settings from the CS125
SerialFlush (Com1)
TempString = "GET:0:0"
CheckVal = CheckSum (TempString,1,0) ' Use the CCITT CRC16 checksum
OutString = CHR(2) + TempString + ":" + FormatLong (CheckVal,"%04X") + ":" +
CHR(3) + CHR(13) + CHR(10)
SerialOut (Com1,OutString,"",0,100) ' Send GET command to the CS125
Delay (1,1,Sec)
SerialIn (InStringGET,Com1,100,0,200) ' Save the data returned from the GET
command
If Len(InStringGET) > 1 Then ' Check data was returned
    SplitStr (CS125CArray(1),InStringGET, " ",21,5) ' Strip the settings from the
returned data string
    CS125CArray(1) = Right (CS125CArray(1),1)' Trim the SOT from the first data
point
EndIf

'Enable Dew Heaters if AirTC < DewPoint
If AirTC <= TempDewPoint AND StatusDewHeater=False Then
    CS125CArray(17)=0
    SerialFlush (Com1)
    TempString = CS125_SETNCCCommand()
    SerialOut (Com1,TempString,"",0,100)
    Delay (1,1,Sec)
    SerialIn (InStringSETNC,Com1,100,0,1000)
    StatusDewHeater=True
EndIf

'Disable Dew Heaters if AirTC > DewPoint+3
If AirTC > TempDewPoint+3 AND StatusDewHeater=True Then
    CS125CArray(17)=1
    SerialFlush (Com1)
    TempString = CS125_SETNCCCommand()
    SerialOut (Com1,TempString,"",0,100)
    Delay (1,1,Sec)
    SerialIn (InStringSETNC,Com1,100,0,1000)

StatusDewHeater=False
EndIf

NextScan
EndProg

```

C.5 Example CRBasic GET program

```

'-----
' CS125 Visibility
'
' Program to test the GET command part of the command line interface on the CS125
' Connecting to serial port one on a CR1000 logger
' Logger:CR1000
'
' Example outputs including checksums (varies with sensor ID)
' GET:0:0:2C67:
' GET:1:0:1B57:
' GET:2:0:4207:
' GET:3:0:7537:
' GET:4:0:F0A7:
' GET:5:0:C797:
' GET:6:0:9EC7:
' GET:7:0:A9F7:
' GET:8:0:85C6:
' GET:9:0:B2F6:
'-----

Public OutString As String * 40 ' Outgoing string
Dim CheckVal As Long           ' Checksum value
Public InString As String * 200 ' Incomming string
Dim TempString As String * 16

'Main Program
BeginProg

    SerialOpen (Com1,38400,3,0,10000) ' open port to the visibility sensor

    ' Send a request for information once every 10 seconds
    Scan (10,Sec,0,0)

    ' Create the basic GET string for the CS125
    TempString = "GET:0:0"
    CheckVal = CheckSum (TempString,1,0) ' Use the CCITT CRC16 checksum
    OutString = CHR(2) + TempString + ":" + FormatLong (CheckVal,"%04X") + ":" + CHR(3)
+ CHR(13) + CHR(10)

    SerialOut (Com1,OutString,"",0,100) ' Send GET command to the CS125

    Delay (1,1,Sec)

    SerialIn (InString,Com1,100,0,200) ' Save the data returned from the GET command

    NextScan
EndProg

```


CAMPBELL SCIENTIFIC COMPANIES

Campbell Scientific, Inc. (CSI)

815 West 1800 North
Logan, Utah 84321
UNITED STATES

www.campbellsci.com • info@campbellsci.com

Campbell Scientific Africa Pty. Ltd. (CSAf)

PO Box 2450
Somerset West 7129
SOUTH AFRICA

www.csafrica.co.za • sales@csafrica.co.za

Campbell Scientific Australia Pty. Ltd. (CSA)

PO Box 8108
Garbutt Post Shop
QLD 4814 AUSTRALIA

www.campbellsci.com.au • info@campbellsci.com.au

Campbell Scientific do Brazil Ltda. (CSB)

Rua Apinagés, nbr. 2018 - Perdizes
CEP: 01258-00 São Paulo SP BRAZIL

www.campbellsci.com.br • vendas@campbellsci.com.br

Campbell Scientific Canada Corp. (CSC)

14532 – 131 Avenue NW
Edmonton, Alberta T5L 4X4
CANADA

www.campbellsci.ca • dataloggers@campbellsci.ca

Campbell Scientific Centro Caribe S.A. (CSCC)

300N Cementerio, Edificio Breller
Santo Domingo, Heredia 40305
COSTA RICA

www.campbellsci.cc • info@campbellsci.cc

Campbell Scientific Ltd. (CSL)

Campbell Park
80 Hathern Road, Shepshed, Loughborough LE12 9GX
UNITED KINGDOM

www.campbellsci.co.uk • sales@campbellsci.co.uk

Campbell Scientific Ltd. (France)

3 Avenue de la Division Leclerc
92160 ANTONY
FRANCE

www.campbellsci.fr • info@campbellsci.fr

Campbell Scientific Spain, S. L.

Avda. Pompeu Fabra 7-9
Local 1 - 08024 BARCELONA
SPAIN

www.campbellsci.es • info@campbellsci.es

Campbell Scientific Ltd. (Germany)

Fahrenheitstrasse13, D-28359 Bremen
GERMANY

www.campbellsci.de • info@campbellsci.de

Campbell Scientific (Beijing) Co., Ltd.

8B16, Floor 8 Tower B, Hanwei Plaza
7 Guanghua Road, Chaoyang, Beijing 100004
P.R. CHINA

www.campbellsci.com • info@campbellsci.com.cn

Please visit www.campbellsci.com to obtain contact information for your local US or International representative.