

# CRS451 and CRS456

Submersible Water-Level  
Recording Sensors



# Guarantee

---

This equipment is guaranteed against defects in materials and workmanship. We will repair or replace products which prove to be defective during the guarantee period as detailed on your invoice, provided they are returned to us prepaid. The guarantee will not apply to:

- Equipment which has been modified or altered in any way without the written permission of Campbell Scientific
- Batteries
- Any product which has been subjected to misuse, neglect, acts of God or damage in transit.

Campbell Scientific will return guaranteed equipment by surface carrier prepaid. Campbell Scientific will not reimburse the claimant for costs incurred in removing and/or reinstalling equipment. This guarantee and the Company's obligation thereunder is in lieu of all other guarantees, expressed or implied, including those of suitability and fitness for a particular purpose. Campbell Scientific is not liable for consequential damage.

Please inform us before returning equipment and obtain a Repair Reference Number whether the repair is under guarantee or not. Please state the faults as clearly as possible, and if the product is out of the guarantee period it should be accompanied by a purchase order. Quotations for repairs can be given on request. It is the policy of Campbell Scientific to protect the health of its employees and provide a safe working environment, in support of this policy a "Declaration of Hazardous Material and Decontamination" form will be issued for completion.

When returning equipment, the Repair Reference Number must be clearly marked on the outside of the package. Complete the "Declaration of Hazardous Material and Decontamination" form and ensure a completed copy is returned with your goods. Please note your Repair may not be processed if you do not include a copy of this form and Campbell Scientific Ltd reserves the right to return goods at the customers' expense.

Note that goods sent air freight are subject to Customs clearance fees which Campbell Scientific will charge to customers. In many cases, these charges are greater than the cost of the repair.



Campbell Scientific Ltd,  
80 Hathern Road,  
Shepshed, Loughborough, LE12 9GX, UK  
Tel: +44 (0) 1509 601141  
Fax: +44 (0) 1509 270924  
Email: [support@campbellsci.co.uk](mailto:support@campbellsci.co.uk)  
[www.campbellsci.co.uk](http://www.campbellsci.co.uk)

# About this manual

---

Please note that this manual was originally produced by Campbell Scientific Inc. primarily for the North American market. Some spellings, weights and measures may reflect this origin.

Some useful conversion factors:

<b>Area:</b> 1 in <sup>2</sup> (square inch) = 645 mm <sup>2</sup>	<b>Mass:</b> 1 oz. (ounce) = 28.35 g 1 lb (pound weight) = 0.454 kg
<b>Length:</b> 1 in. (inch) = 25.4 mm 1 ft (foot) = 304.8 mm 1 yard = 0.914 m 1 mile = 1.609 km	<b>Pressure:</b> 1 psi (lb/in <sup>2</sup> ) = 68.95 mb <b>Volume:</b> 1 UK pint = 568.3 ml 1 UK gallon = 4.546 litres 1 US gallon = 3.785 litres

In addition, while most of the information in the manual is correct for all countries, certain information is specific to the North American market and so may not be applicable to European users.

Differences include the U.S standard external power supply details where some information (for example the AC transformer input voltage) will not be applicable for British/European use. *Please note, however, that when a power supply adapter is ordered it will be suitable for use in your country.*

Reference to some radio transmitters, digital cell phones and aerials may also not be applicable according to your locality.

Some brackets, shields and enclosure options, including wiring, are not sold as standard items in the European market; in some cases alternatives are offered. Details of the alternatives will be covered in separate manuals.

Part numbers prefixed with a “#” symbol are special order parts for use with non-EU variants or for special installations. Please quote the full part number with the # when ordering.

## Recycling information



At the end of this product's life it should not be put in commercial or domestic refuse but sent for recycling. Any batteries contained within the product or used during the products life should be removed from the product and also be sent to an appropriate recycling facility.

Campbell Scientific Ltd can advise on the recycling of the equipment and in some cases arrange collection and the correct disposal of it, although charges may apply for some items or territories.

For further advice or support, please contact Campbell Scientific Ltd, or your local agent.



Campbell Scientific Ltd, 80 Hathern Road, Shepshed, Loughborough, LE12 9GX,  
UK Tel: +44 (0) 1509 601141 Fax: +44 (0) 1509 270924  
Email: [support@campbellsci.co.uk](mailto:support@campbellsci.co.uk)  
[www.campbellsci.co.uk](http://www.campbellsci.co.uk)

# Safety

---

DANGER — MANY HAZARDS ARE ASSOCIATED WITH INSTALLING, USING, MAINTAINING, AND WORKING ON OR AROUND **TRIPODS, TOWERS, AND ANY ATTACHMENTS TO TRIPODS AND TOWERS SUCH AS SENSORS, CROSSARMS, ENCLOSURES, ANTENNAS, ETC.** FAILURE TO PROPERLY AND COMPLETELY ASSEMBLE, INSTALL, OPERATE, USE, AND MAINTAIN TRIPODS, TOWERS, AND ATTACHMENTS, AND FAILURE TO HEED WARNINGS, INCREASES THE RISK OF DEATH, ACCIDENT, SERIOUS INJURY, PROPERTY DAMAGE, AND PRODUCT FAILURE. TAKE ALL REASONABLE PRECAUTIONS TO AVOID THESE HAZARDS. CHECK WITH YOUR ORGANIZATION'S SAFETY COORDINATOR (OR POLICY) FOR PROCEDURES AND REQUIRED PROTECTIVE EQUIPMENT PRIOR TO PERFORMING ANY WORK.

Use tripods, towers, and attachments to tripods and towers only for purposes for which they are designed. Do not exceed design limits. Be familiar and comply with all instructions provided in product manuals. Manuals are available at [www.campbellsci.eu](http://www.campbellsci.eu) or by telephoning +44(0) 1509 828 888 (UK). You are responsible for conformance with governing codes and regulations, including safety regulations, and the integrity and location of structures or land to which towers, tripods, and any attachments are attached. Installation sites should be evaluated and approved by a qualified engineer. If questions or concerns arise regarding installation, use, or maintenance of tripods, towers, attachments, or electrical connections, consult with a licensed and qualified engineer or electrician.

## General

- Prior to performing site or installation work, obtain required approvals and permits. Comply with all governing structure-height regulations, such as those of the FAA in the USA.
- Use only qualified personnel for installation, use, and maintenance of tripods and towers, and any attachments to tripods and towers. The use of licensed and qualified contractors is highly recommended.
- Read all applicable instructions carefully and understand procedures thoroughly before beginning work.
- Wear a **hardhat** and **eye protection**, and take **other appropriate safety precautions** while working on or around tripods and towers.
- **Do not climb** tripods or towers at any time, and prohibit climbing by other persons. Take reasonable precautions to secure tripod and tower sites from trespassers.
- Use only manufacturer recommended parts, materials, and tools.

## Utility and Electrical

- **You can be killed** or sustain serious bodily injury if the tripod, tower, or attachments you are installing, constructing, using, or maintaining, or a tool, stake, or anchor, come in **contact with overhead or underground utility lines.**
- Maintain a distance of at least one-and-one-half times structure height, or 20 feet, or the distance required by applicable law, **whichever is greater**, between overhead utility lines and the structure (tripod, tower, attachments, or tools).
- Prior to performing site or installation work, inform all utility companies and have all underground utilities marked.
- Comply with all electrical codes. Electrical equipment and related grounding devices should be installed by a licensed and qualified electrician.

## Elevated Work and Weather

- Exercise extreme caution when performing elevated work.
- Use appropriate equipment and safety practices.
- During installation and maintenance, keep tower and tripod sites clear of un-trained or non-essential personnel. Take precautions to prevent elevated tools and objects from dropping.
- Do not perform any work in inclement weather, including wind, rain, snow, lightning, etc.

## Maintenance

- Periodically (at least yearly) check for wear and damage, including corrosion, stress cracks, frayed cables, loose cable clamps, cable tightness, etc. and take necessary corrective actions.
- Periodically (at least yearly) check electrical ground connections.

WHILE EVERY ATTEMPT IS MADE TO EMBODY THE HIGHEST DEGREE OF SAFETY IN ALL CAMPBELL SCIENTIFIC PRODUCTS, THE CUSTOMER ASSUMES ALL RISK FROM ANY INJURY RESULTING FROM IMPROPER INSTALLATION, USE, OR MAINTENANCE OF TRIPODS, TOWERS, OR ATTACHMENTS TO TRIPODS AND TOWERS SUCH AS SENSORS, CROSSARMS, ENCLOSURES, ANTENNAS, ETC.

# 1. Introduction

---

The CRS451/CRS456 is a water-level and water-temperature sensor with a clock and memory to store the data, in a compact stainless-steel case. This frees users to place the sensor in remote sites and let it store data for long periods of time. The CRS451/CRS456 supports standard time-based scanning and recording along with event-based recording based on water level change (Delta) or logarithmic time sequence for pump and slug tests. *HydroSci* software, available at [www.campbellsci.com/downloads/hydrosoci](http://www.campbellsci.com/downloads/hydrosoci), supports test set up, data retrieval, and data display.

The CRS451 has a 316L stainless-steel case that can be submerged in most canals, wells, ponds, lakes, and streams. The CRS456 has a rugged titanium case that allows it to be used in saltwater or other harsh environments.

## 2. Precautions

---

- Although the CRS451/CRS456 is a rugged and reliable device, it is also a highly precise scientific instrument and should be handled as such.
- The CRS451/CRS456 will be damaged if encased in frozen liquid (see [Avoiding freezing conditions](#) (p. 6) for more information).
- Dropping the instrument or allowing it to “free fall” down a well may damage the transducer.
- Confirm the compatibility of the instrument to non-water environments before installation.
- The CRS456 should be used in harsh water applications, including salt water.

## 3. Initial inspection

---

- Upon receipt of the CRS451/CRS456, inspect the packaging for any signs of shipping damage. File damage claims with the shipping company.
- Immediately check package contents against the shipping documentation (see [Ships with](#) (p. 2). Contact Campbell Scientific with any discrepancies.

- The model number and pressure range are etched on the housing. Check this information against the shipping documentation to ensure that the expected product was received.

## 3.1 Ships with

- USB 2.0 Cable Type A Male to Micro B Male

# 4. Overview

---

The CRS451/CRS456, Submersible Water-Level Recording Sensor, provides reliable, accurate pressure/level measurements that are fully temperature compensated.

The 24 bit A/D has simultaneous 50/60 Hz rejection and automatic calibration for each measurement. A number of additional advanced measurement techniques are employed to harness the best possible performance available from today's state of the art pressure sensor technology. The CRS451/CRS456 reverts to a low power sleep state between measurements. A series of measurements are performed yielding a temperature and pressure value. This measurement cycle can be as fast as 1 second.

The design features a piezoresistive sensor housed in a 316L stainless steel (CRS451) or titanium (CRS456) package to enhance reliability. The rugged construction makes the CRS451/CRS456 suitable for water level measurement in irrigation applications, water wells, lakes, streams, and tanks. The titanium package of the CRS456 makes it ideal for salt water or other harsh environments.

The CRS451/CRS456 has three nose cone options. The weighted nose cone makes the transducer easier to submerge to depth. The NPT option allows the sensor to be mounted to a 1/4 inch fitting. The nose cones can be exchanged at a later time.

Communicating with the CRS451/CRS456 requires a micro USB cable and *HydroSci* software running on a computer with Windows XP or later. Configurable settings can be changed using Campbell Scientific *HydroSci* software utility.

Features:

- Field replaceable batteries
- Campbell Scientific quality
- No additional data logger, enclosure, and power supply; reduces system costs and simplifies installation
- Free customer-friendly software for communication, configuration, data collection
- Fast scan rate
- Large data storage capacity
- High accuracy
- Long battery life
- Data retrieval through sealed USB connector

## 5. Specifications

---

Measurement time:	< 1 s typical
Output:	micro USB
Internal data collection memory:	4 MB
<i>HydroSci</i> supported operating systems:	Windows XP, Windows Vista, or Windows 7
Logging/scanning modes:	Standard, Delta, Logarithmic
Power requirements:	Internal user-replaceable lithium battery
Battery life:	5+ years when logging interval is once per hour
Power consumption	
Quiescent current:	< 80 $\mu$ A
Measurement/communication current:	4 mA for 1 s measurement
Distance from pressure sensor interface (black line etched on housing) to:	
End of NPT fitting:	2.54 cm (1 in)
End of standard nose cone:	2.3 cm (0.9 in)
End of weighted nose cone:	9.9 cm (3.9 in)

## Measurement ranges<sup>1</sup>:

Pressure (psig)	Pressure (kPa)	Metres of fresh water	Feet of fresh water
0 to 7.25	0 to 50	0 to 5.1	0 to 16.7
0 to 14.5	0 to 100	0 to 10.2	0 to 33.4
0 to 29	0 to 200	0 to 20.4	0 to 67
0 to 72.5	0 to 500	0 to 50.9	0 to 167
0 to 145	0 to 1000	0 to 102	0 to 334.5

## Accuracy

Pressure reading <sup>2</sup> :	0.1% full-scale range TEB <sup>3</sup>
Temperature:	±0.2 °C
Resolution:	0.0035% full-scale range
Overpressure:	2x pressure range
Dry storage temperature:	-30 to 80 °C
Operating temperature:	0 to 60 °C

### CAUTION:

Freezing conditions may damage the CRS451/CRS456 (see [Avoiding freezing conditions](#) (p. 6) for more information).

## Body Material

CRS451:	316L Stainless Steel
CRS456:	Titanium

## Element Material

CRS451:	316L Stainless Steel
CRS456:	Hastelloy®

Standard Cone Material: Delrin®

Weighted and NPT Material: Stainless Steel

## Dimensions

Length:	22.23 cm (8.75 in)
Diameter:	2.22 cm (0.875 in)

Weight: 230 g (0.51 lb)



<sup>1</sup>The CRS451 is a sealed gauge sensor and when not submerged will read approximately 1 bar at sea level and less as elevation increases. The CRS451 is calibrated at nine pressures starting at 0.6 bar up to full scale referenced to 1 bar. Points below 1 bar are used in the calibration for the benefit of those who deploy this sensor at elevations above sea level.

<sup>2</sup>The accuracy specification listed pertains to the level of accuracy that the CRS451/CRS456 is able to measure pressure. If a barometric pressure sensor is used to remove the component of atmospheric pressure from the pressure reading provided by the CRS451/CRS456 while submerged in a column of water vented to the atmosphere, the error of the barometric sensor must be considered when calculating the resulting accuracy of the water level reading.

<sup>3</sup>Total Error Band (TEB) includes the combined errors due to nonlinearity, hysteresis, nonrepeatability, and thermal effects over the compensated temperature range, per ISA S51.1.

## 6. Installation

---

The CRS451/CRS456 is designed for water level measurements. Typical applications include agricultural water level/flow, water wells, lakes, streams, and tanks. If the device is to be installed in a liquid other than water or in contaminated water, check the compatibility of the wetted material. The CRS456 should be used in harsh water applications, including salt water.

### 6.1 Appropriate depth

The CRS451/CRS456 must be installed below the water at a fixed depth. This depth should be chosen so that the water pressure will never exceed the transducer's pressure range (twice its pressure rating).

**CAUTION:**

The output reading will not be correct, and the transducer can be damaged if pressure is twice its pressure rating.

Pressure can be converted to feet of fresh water using the following simple equation:

$$1 \text{ psi} = 2.31 \text{ feet of water}$$

For example, the maximum depth with a pressure range of 0 to 7.25 psig is 16.748 feet of water. See [Table C-1](#) (p. 31) for other units.

## 6.2 Avoiding freezing conditions

Expansion of water due to freezing will irreparably damage the CRS451/CRS456. The CRS451/CRS456 can be safely deployed in freezing conditions if the sensor is placed below the frost line. In a lake or channel of moving water, often the sensor can be placed deep enough to avoid freezing. In shallow conditions, where the water body is at risk of freezing solid, placing the sensor in a stilling well that extends below the frost line will protect the sensor from freezing water.

## 6.3 Dislodge bubbles

While submersing the CRS451/CRS456, air bubbles may become trapped inside the nose cone, causing small, offset errors until the bubbles dissolve. Dislodge these bubbles by gently shaking the CRS451/CRS456 while under water.

**CAUTION:**

Hitting the instrument against the well casing or other solid surface could damage the CRS451/CRS456.

**CAUTION:**

If the bubbles are not removed by rotation and shaking underwater (or bleeding out the air in a closed system), the CRS451/CRS456 reading will drift lower by the distance of the gap as the air is slowly dissolved into the water over time.

## 6.4 Well installation

Campbell Scientific offers a braided stainless steel cable to lower the instrument to an appropriate depth and to suspend the CRS451/CRS456 in a well.

With long drops, it may be necessary to use the weighted nose cone (option –WN).

For surface installations, the instrument body can be strapped with tie wraps or tape. Campbell Scientific offers cable ties to secure the cable. If installing in a well, fasten the cable to the well head.

## 6.5 Other installations

The CRS451/CRS456 can be installed in any position; however, when it leaves the factory it is tested in the vertical position. There will be an offset error if not installed vertically; contact

Campbell Scientific for more information. Strapping the transducer body with tie wraps or tape will not hurt it.

## 6.6 Battery voltage reading

The voltage of the lithium ion battery used in the CRS451/CRS456 will abruptly decrease at the end of the battery's useful life, which makes predicting remaining battery life difficult by measuring battery voltage alone. Knowing the energy consumption of the CRS451/CRS456 while in operation, *HydroSci* displays a predicted remaining battery life by combining an estimate of the energy consumed based on the totalized measurements since new and direct battery measurements. For this reason, if the battery is removed from the CRS451/CRS456 anytime during deployment and then replaced, *HydroSci* will assume a fresh battery was added to the device and the estimated remaining battery life will be overstated.

For similar reasons, if the operating system is upgraded or sent to the CRS451/CRS456, the estimated remaining battery life will also be exaggerated by *HydroSci*.

## 6.7 Memory

The internal data memory stores 4,000,000 bytes of data. Each table record uses 4 bytes for a time stamp and 4 bytes for each data value. For example, a table with two data values, such as pressure and temperature, will use 12 bytes per record. If a record is written every 30 seconds, the number of records that occur each day is:

$$\text{Records per day} = 86,400 \text{ s} / 30 \text{ s} = 2880 \text{ records}$$

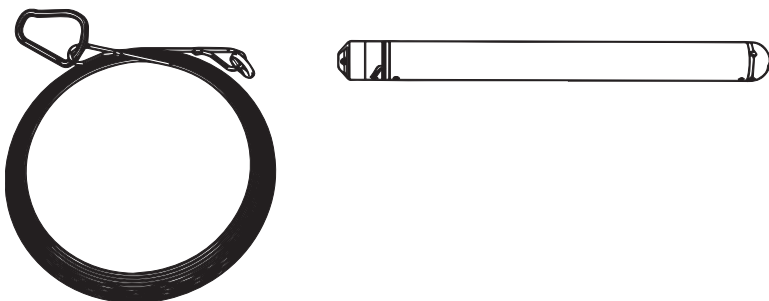
Therefore, the memory used in one day is:

$$\text{Bytes per day} = 2880 \times 12 \text{ bytes} = 34,560$$

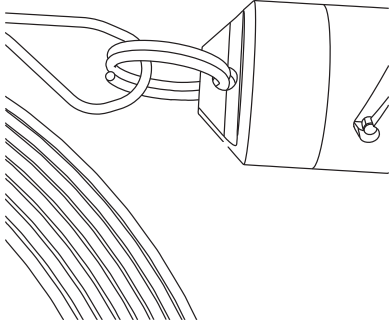
Therefore, the memory will last:

$$\text{Number of days} = 4,000,000 \text{ bytes} / (34,560 \text{ bytes/day}) = 115 \text{ days}$$

## 6.8 Suspension cable attachment



Attach the split ring to the CRS451/CRS456 cap.



## 6.9 Heyco cable grip

To protect your transducer during deployment, Campbell Scientific offers the Heyco cable grip ([Figure 6-1](#) [p. 9]) to clamp the transducer to the submerged end of a 1-inch PVC pipe ([Figure 6-2](#) [p. 9]). The PVC pipe will help protect the sensor and cable from debris and disturbances while also providing a more secure means of anchoring the sensor to minimize movement. The Heyco fitting is not meant to be water tight and water will likely fill the submerged pipe behind the fitting. A 1-inch female adapter socket with FPT threads is needed between the Heyco cable grip and 1-inch PVC pipe. This adapter socket is available at any store that sells PVC pipe.

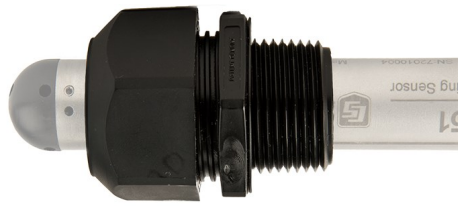


Figure 6-1. Heyco Cable Grip

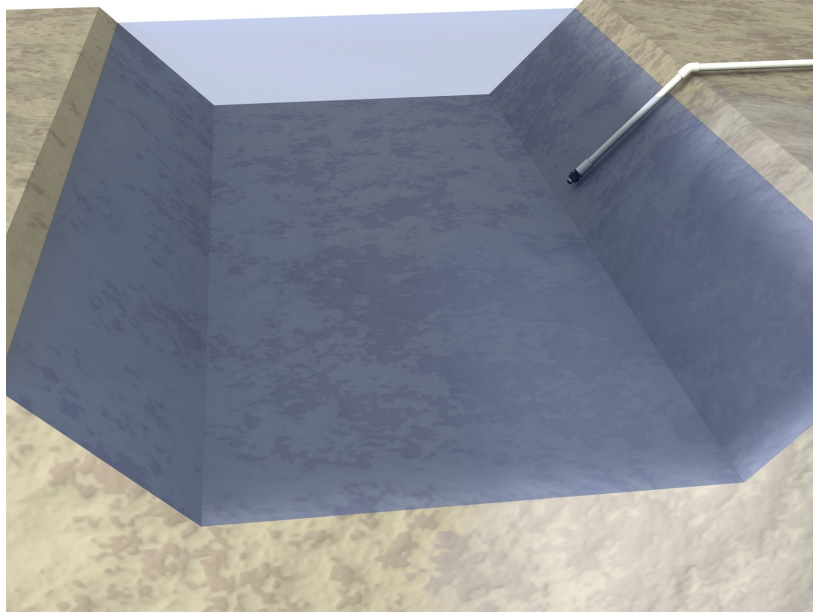


Figure 6-2. Transducer mounted in PVC pipe using the Heyco cable grip

## 7. Programming

---

Communicating with the CRS451/CRS456 requires a micro USB cable and *HydroSci* software running on a computer with Windows XP or later.

The CRS451/CRS456 is configured using the *HydroSci* software, which is downloaded from [www.campbellsci.com/downloads/hydrosci](http://www.campbellsci.com/downloads/hydrosci). A video that describes CRS451/CRS456 configuration is available at: [www.campbellsci.com/videos/crs451crs456-sensors-configuration](http://www.campbellsci.com/videos/crs451crs456-sensors-configuration).

### CAUTION:

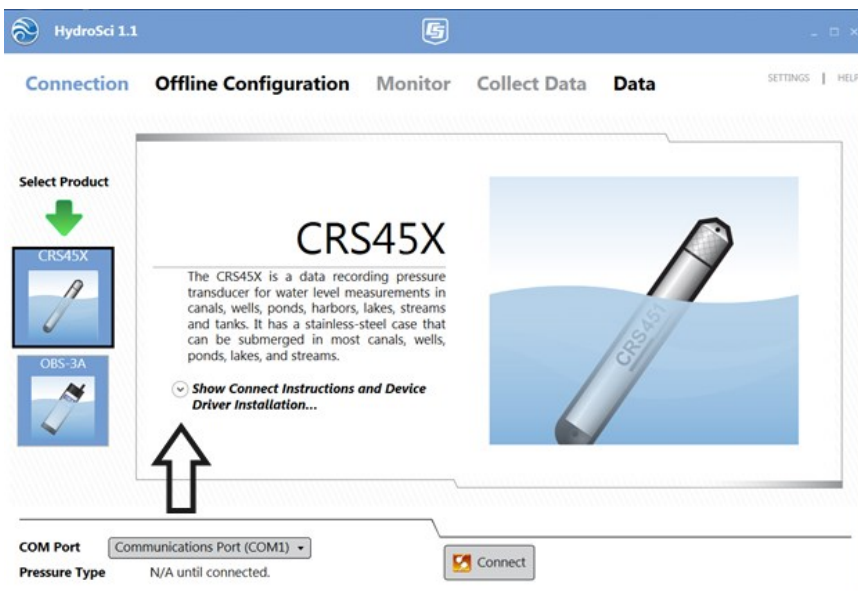
If you are using an XP computer, please have the driver disk in the CD/DVD drive before plugging in the USB cord. A driver will need to be installed before the computer can connect with the sensor.

# 7.1 Settings

Before connecting to the CRS451/CRS456, you can change the sensor name or the appearance of *HydroSci* screens by clicking on **Settings** at the upper right portion of the *HydroSci* screen.


# 7.2 Connect to the CRS451/CRS456

1. Select **CRS45X** from the left margin.
2. Select appropriate **COM Port**.
3. If you have not made a USB connection to your computer, click on the **Show Connect Instructions and Device Installation** drop-down arrow.



4. After clicking the drop-down arrow, you get the following instructions:

## CRS45X

 **Hide Connect Instructions and Device Driver Installation...**

In order to connect to the CRS45X, you must connect the USB connection to your computer. Then you must select the corresponding USB serial port that was discovered for that particular CRS45X.

**CRS451 or CRS456:**  
Before connecting, if you have not done so already, please install the device driver with this link: [Install Device Driver](#)

**CRS451V or CRS456V:**  
The CRS451V and CRS456V require one of the following interfaces to connect to a PC:

- A200 Sensor to PC Interface
- PN 28838, ten-position terminal to DB9 terminal block

The A200 USB driver should be installed automatically when you plug the port into your computer, provided there is a working internet connection. If not, the driver can be installed from the Resource DVD or from <http://www.campbellsci.com/a200-support>

5. After making a USB connection to your computer, click the **Connect** button.

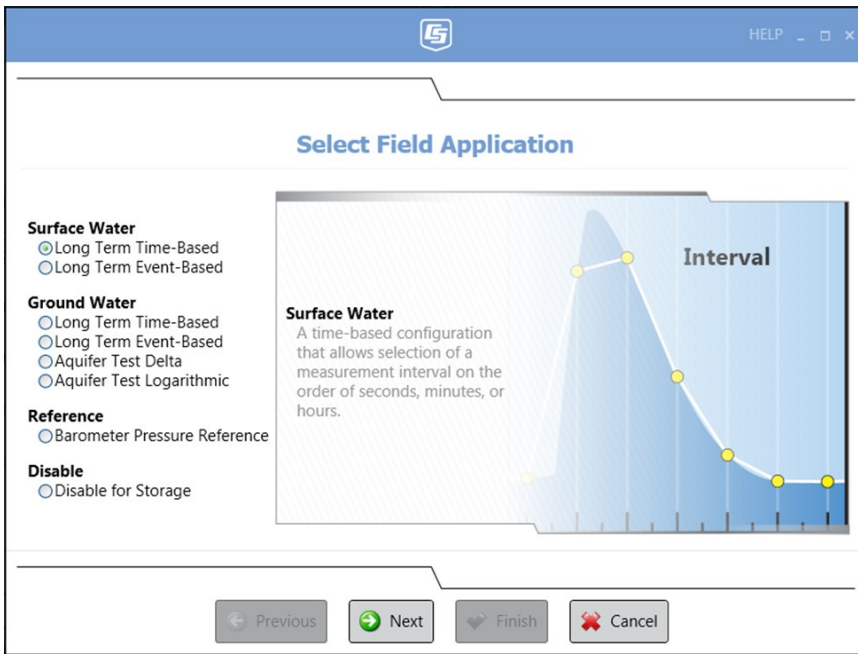
## 7.3 Configure CRS45X for measurements

1. Click **Configuration**.
2. Select **Create New Configuration** button located at lower left of screen.
3. Select the type of measurements you want to make.
  - a. Barometer Pressure Reference should be selected if you want to use CR45X sensor as a barometer to compensate for changes in barometric pressure.

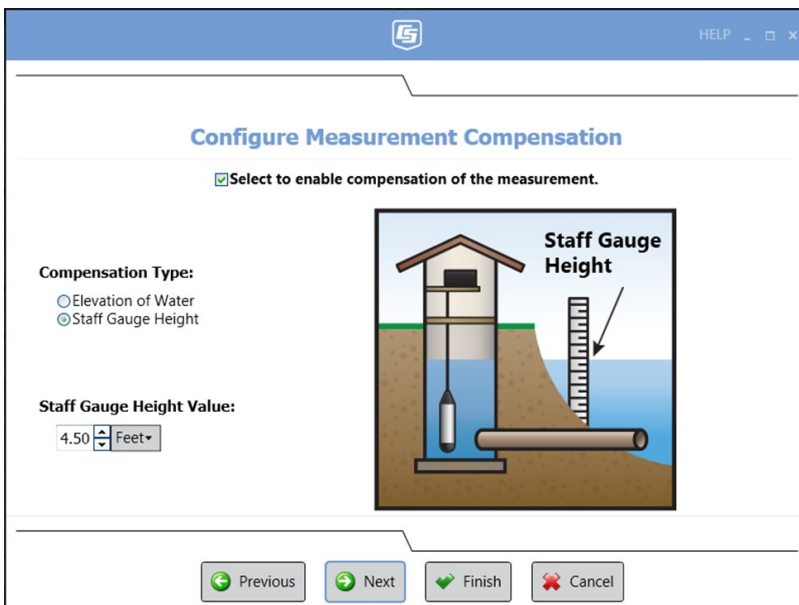
**NOTE:**

See [Using a barometer](#) (p. 16) if using the measurements from a nearby barometer to correct for the barometric pressure.

- b. Disable: To preserve battery between deployments always configure the sensor for storage after use.



4. Add offset to relate water level measurements to a known datum or reference point. (Aquifer test start at level 0.)
  - a. This step is optional and not required.
  - b. This offset takes effect at the Start Time—which is set in a subsequent screen—so it is necessary that this sensor be in its permanent measurement position before the **Start Time**, otherwise the offset correction will not be correct.



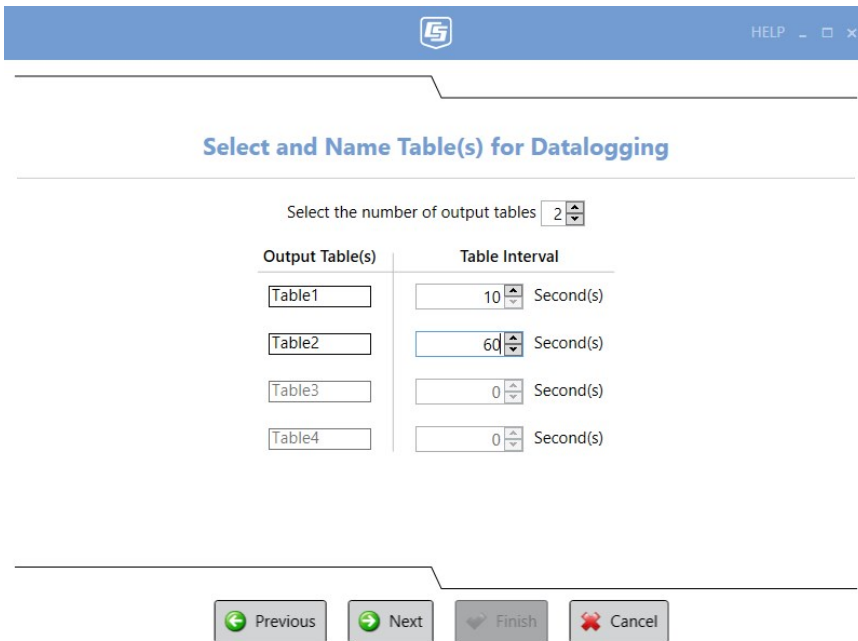
5. Select a **Start** and **Stop Time**.



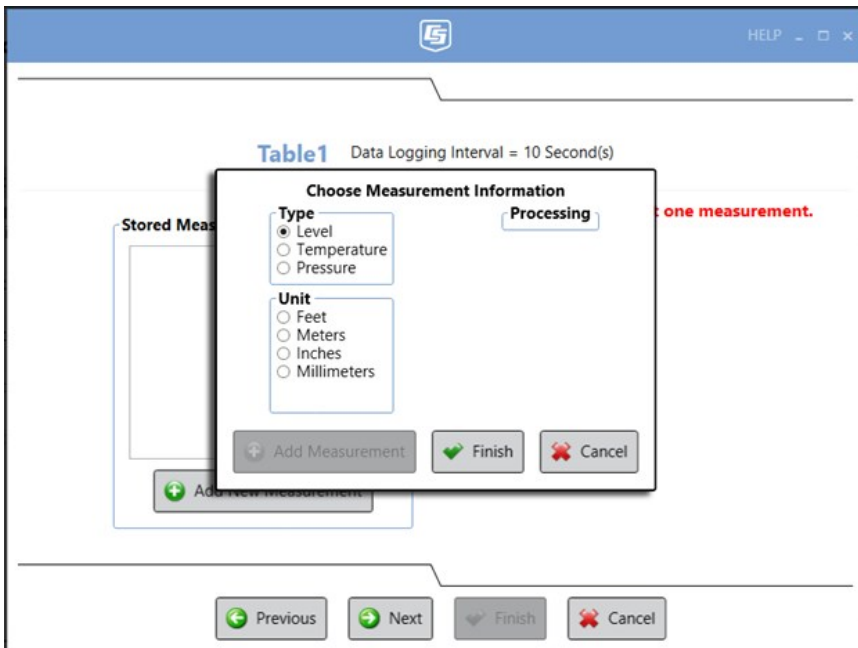
- a. Select a time in the future when measurements should begin. Selecting a time in the past will force the sensor to begin making measurements immediately at the indicated frequency. If an offset calculation was selected in the previous screen, the sensor will not make correct measurements. If an offset calculation is needed, a Start Time must be selected far enough in the future that the sensor can be properly placed in its measurement position before measurements begin.
- b. If desired, select time in future when measurements should cease.
- c. Select the rate at which measurements will be made. This does not configure the sensor for data storage, only the rate at which measurements are made.

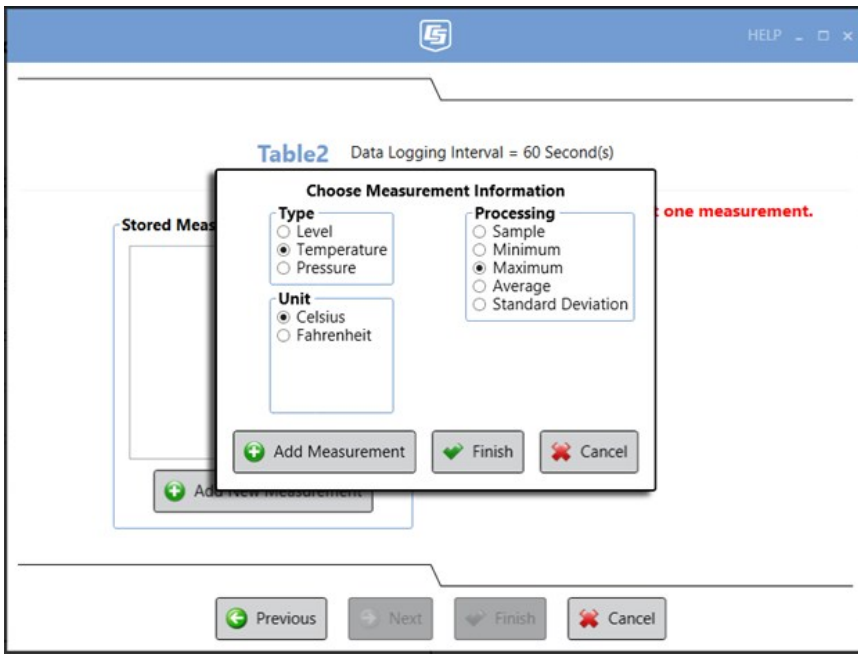
## 6. Select and Name Data Tables for Datalogging.

- a. Up to four different **Data Tables** can archive data at independent intervals with any combination of elements such as samples, averages, and maximum.
- b. Contents of the **Data Table** are selected in the next screen.



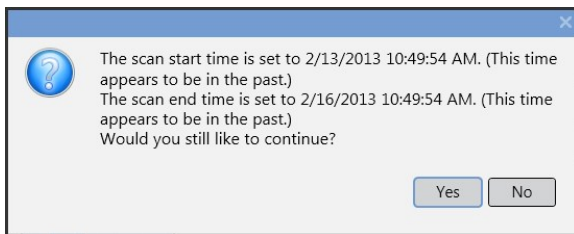
7. Select which data, in which format and unit of measurement, is to be included in each of the data tables selected in the previous screen.



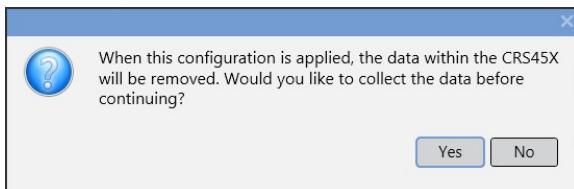


8. Once the **Data Tables** have been configured, the configuration process is finished and the **Finish** button can be selected.
9. Once the configuration is complete, it must be copied to the CRS451/CRS456 before it will take effect. Click on **Apply Configuration to CRS45X** to start this process.

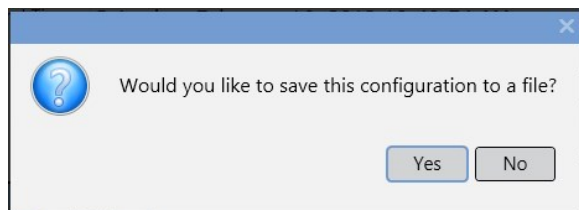
Before sending the configuration file to the CRS45X, *HydroSci* may provide a warning that your start and stop times may need adjusting. If the **Start Time** is in the past, the CRS45X will immediately begin logging data but any offset you may have applied will not be effective. Also, if the **Stop Time** is in the past, no data will be logged.



Save data if you have not already done so. Archived data is purged from the CRS45X when a new configuration file is copied so you will want to collect any data before sending the configuration file.



This option allows you to save the configuration file for future reference or for easy use in other similarly deployed sensors.



The CRS451/CRS456 is calibrated to pressure units in psi. [Table C-1](#) (p. 31) contains the conversion factors used to convert psi to depth of water.

## 7.4 Compensating measurements for barometric pressure

The CRS45X pressure transducer is unvented; therefore it is monitoring sealed gauge pressure and should be corrected for barometric pressure.

### 7.4.1 Using an additional CRS45X

One simple way to complete this correction is to deploy an additional CRS45X as a reference sensor. For this method, in the Select Field Application window, choose Barometer Pressure Reference (see [Configure CRS45X for measurements](#) (p. 11)).

### 7.4.2 Using a barometer

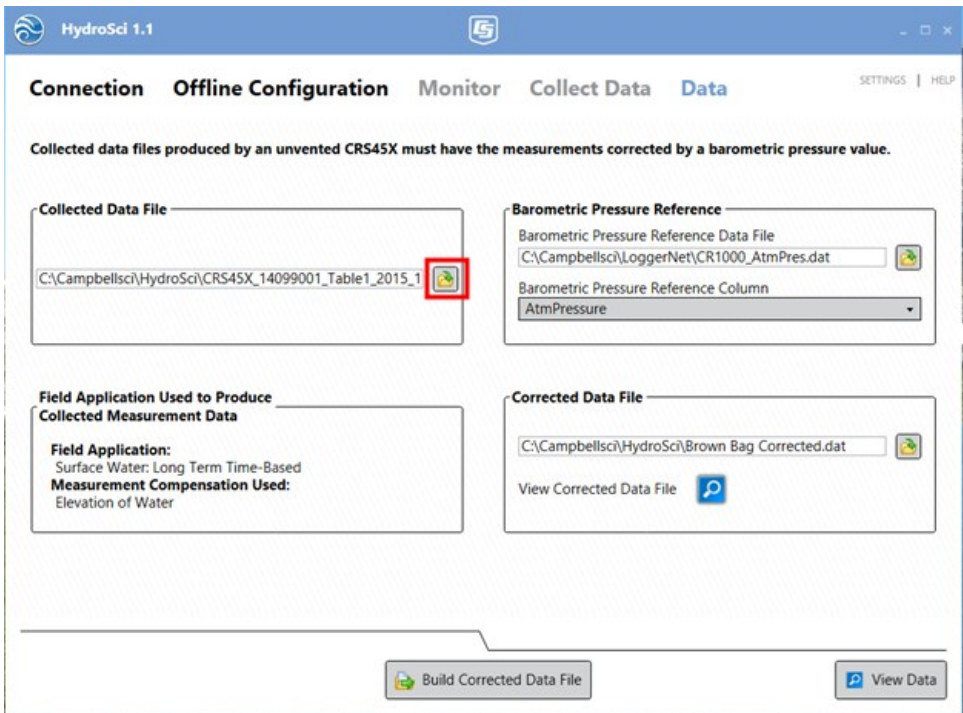
The barometric pressure data from a nearby Campbell Scientific weather station or other Campbell Scientific monitoring platform can also be used to compensate for barometric pressure. The **Data** tab is used to process and merge the data file from the test sensor with the data file from the barometric reference sensor.

#### NOTE:

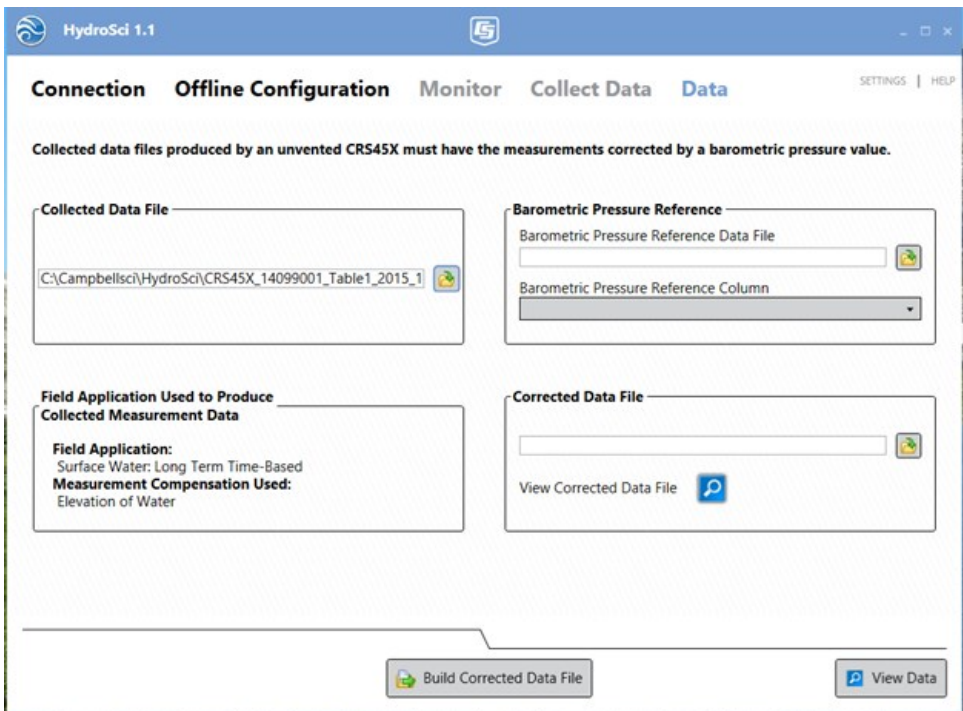
For the *HydroSci* software to read the stored barometric pressure data, the file format for the barometric pressure data must be TOA5 long-header, which includes units in the header. This means units must be included in the program.

The procedure for doing this follows:

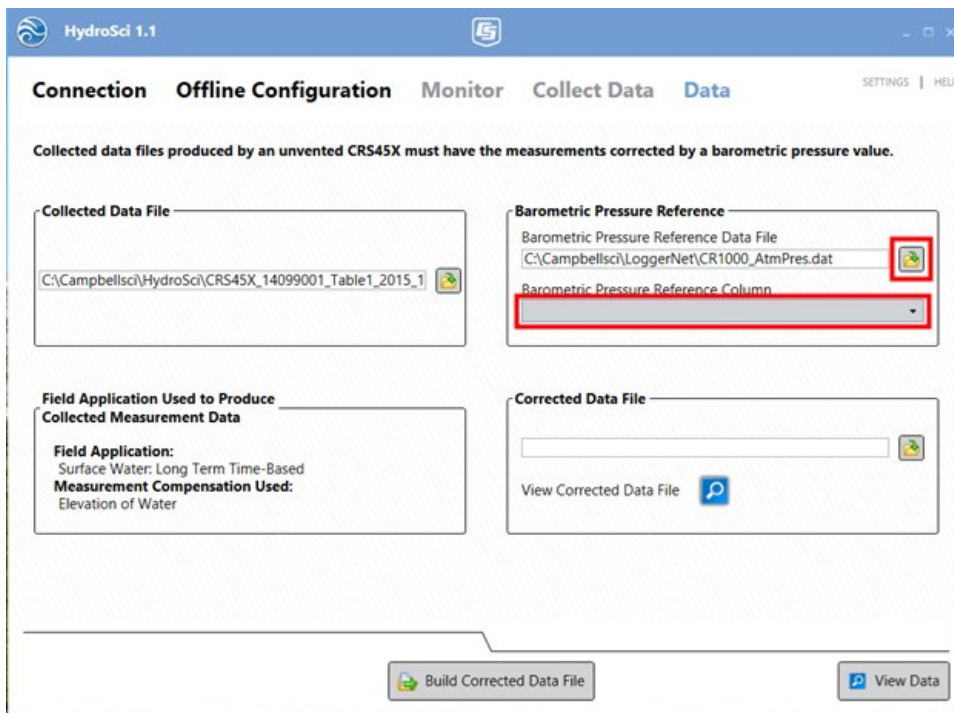
1. Press the browse button next to the **Collected Data File** field to browse to the data files retrieved from the CRS45X.



2. Select a data file you wish to be corrected by barometric pressure values.
  - a. The **Field Application Used to Produce Collected Measurement Data** information will be shown based on the collected data file selected.



3. Press the browse button next to the **Barometric Pressure Reference Data File** field to browse the data files from the barometric reference sensor.



4. Select a data file you wish to use as the barometric pressure reference data file.
  - a. Use the drop-down list to select the **Barometric Pressure Reference Column** in the data file.

The reference column must be a measurement of pressure or level. If from a nearby Campbell Scientific weather station, note that the reference column must have units associated with it. The units can be any pressure or level units as defined in *HydroSci* and they must match exactly the *HydroSci* abbreviation as shown here.

The following pressure and level units are defined in *HydroSci*:

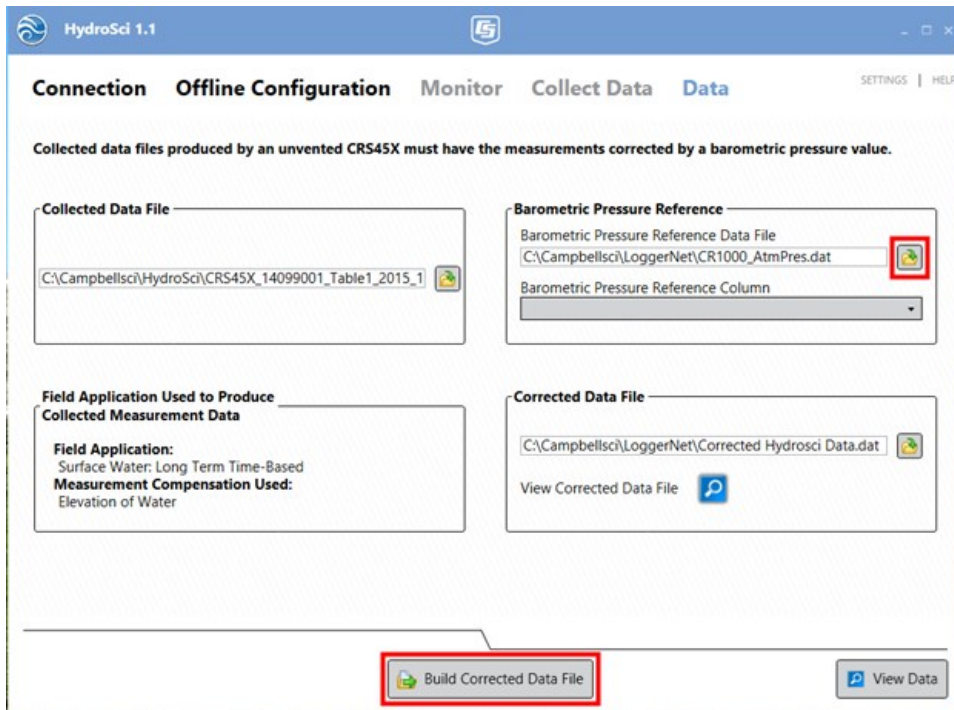
<i>HydroSci</i> abbreviation	Units of measure
mm	millimetre
m	metre
ft	feet
in	inch
mb	millibar

HydroSci abbreviation	Units of measure
bar	bar
kPa	kilopascal
psia	psi absolute

- Press the browse button next to the **Corrected Data File** field to indicate where the corrected data file should be stored.

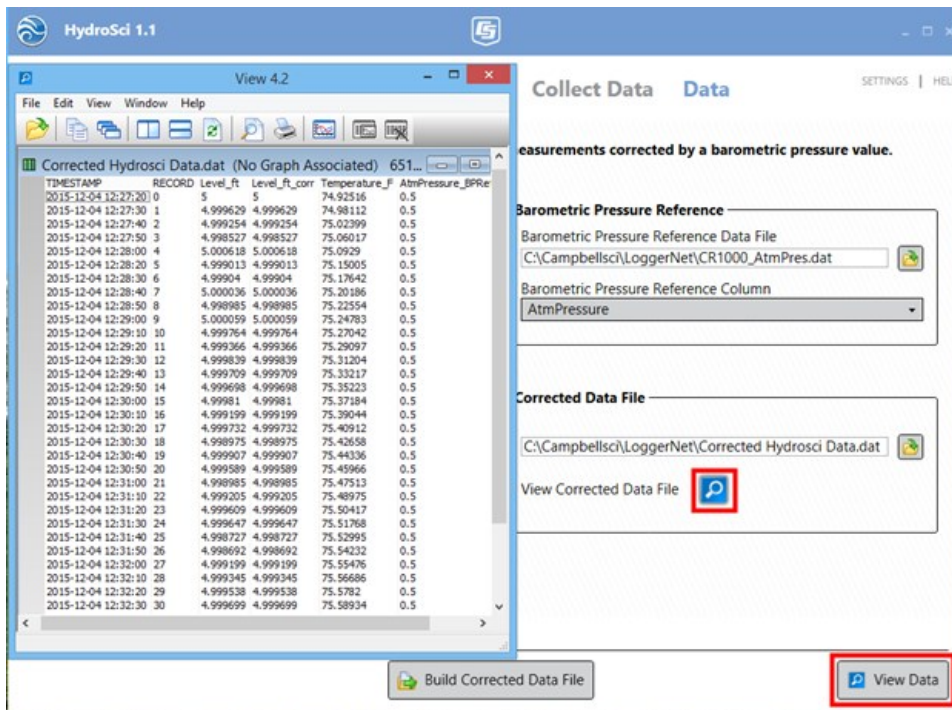
Rename the file as applicable.

- After completing all of the fields, press the **Build Corrected Data File** button.



7. Once the corrected data file has been built, press the **View Corrected Data File** button to open the file in **View**.

The **View Data** button at the bottom of the screen can also be used to open **View**.



In **View**, use the **File > Open** menu item to browse to any data file you would like to view.

To select the data values to be graphed, click on the column heading(s) in the data file with a single mouse click. The selection will be highlighted and will automatically be added to the graph.

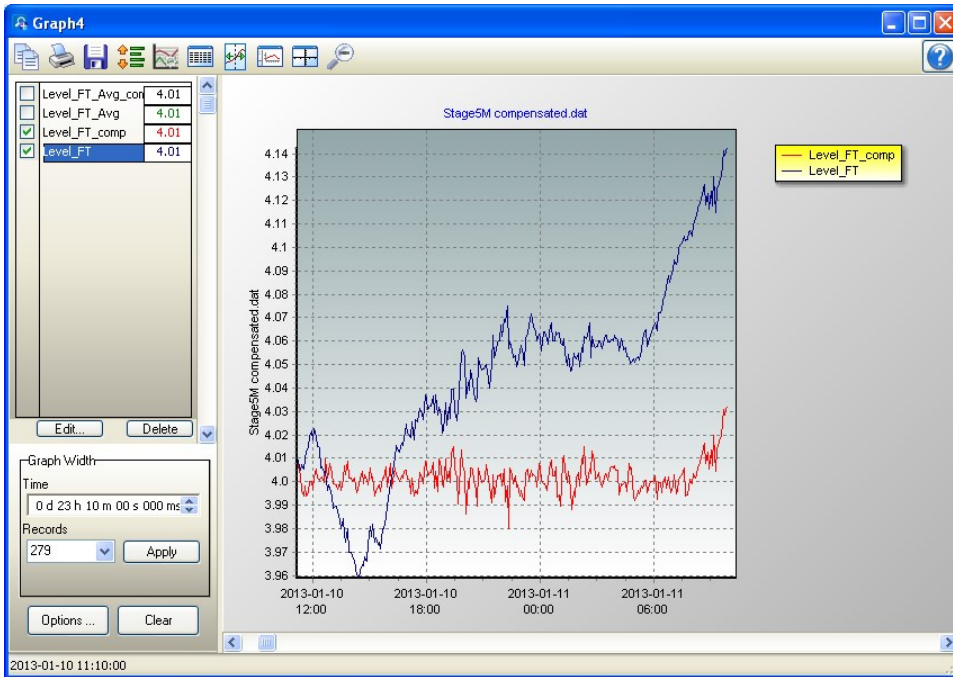


Multiple columns can be added by holding the Ctrl key and dragging the mouse pointer over the column headings.

TIMESTAMP	RECORD	Level FT	Level FT comp	Level FT Avg	Level FT comp	Level FT BPRef
2013-01-10 10:40:00	0	4.004486	4.004486	4.002243	4.002243	28.42496
2013-01-10 10:45:00	1	3.99704	3.99704	3.997009	3.997009	28.42496
2013-01-10 10:50:00	2	3.99954	3.99954	3.998496	3.998496	28.42496
2013-01-10 10:55:00	3	4.002518	3.997477	4.000861	3.99582	28.43
2013-01-10 11:00:00	4	4.00423	3.999189	4.003804	3.998763	28.43
2013-01-10 11:05:00	5	4.007265	4.002224	4.004518	3.999477	28.43
2013-01-10 11:10:00	6	4.010798	4.008797	4.008736	4.006735	28.42696
2013-01-10 11:15:00	7	4.00869	4.006689	4.009731	4.00773	28.42696
2013-01-10 11:20:00	8	4.005127	4.003126	4.00419	4.002189	28.42696
2013-01-10 11:25:00	9	4.007504	3.996253	4.005643	3.994391	28.43621
2013-01-10 11:30:00	10	4.005165	3.993914	4.005641	3.99439	28.43621
2013-01-10 11:35:00	11	4.009363	3.998112	4.006653	3.995401	28.43621
2013-01-10 11:40:00	12	4.012896	3.993744	4.010926	3.991774	28.44411
2013-01-10 11:45:00	13	4.014696	3.995544	4.014693	3.995541	28.44411
2013-01-10 11:50:00	14	4.019115	3.999963	4.016184	3.997032	28.44411
2013-01-10 11:55:00	15	4.021477	4.000216	4.020328	3.999067	28.44622
2013-01-10 12:00:00	16	4.017925	3.996664	4.019042	3.997781	28.44622
2013-01-10 12:05:00	17	4.022793	4.001532	4.021443	4.000182	28.44622
2013-01-10 12:10:00	18	4.019236	4.005555	4.020504	4.006823	28.43864
2013-01-10 12:15:00	19	4.015192	4.001511	4.015094	4.001412	28.43864
2013-01-10 12:20:00	20	4.014509	4.000828	4.013865	4.000184	28.43864
2013-01-10 12:25:00	21	4.005993	4.001673	4.009868	4.005548	28.42928
2013-01-10 12:30:00	22	4.006227	4.001907	4.00607	4.00175	28.42928
2013-01-10 12:35:00	23	4.003954	3.999634	4.005307	4.000987	28.42928
2013-01-10 12:40:00	24	4.004349	4.009509	4.002311	4.007471	28.4198
2013-01-10 12:45:00	25	3.99637	4.00153	3.998844	4.004004	28.4198
2013-01-10 12:50:00	26	3.998724	4.003883	3.998492	4.003652	28.4198
2013-01-10 12:55:00	27	3.997696	4.007975	3.998652	4.008931	28.41468
2013-01-10 13:00:00	28	3.993891	4.004169	3.994021	4.0043	28.41468
2013-01-10 13:05:00	29	3.988695	3.998974	3.988051	3.99833	28.41468
2013-01-10 13:10:00	30	3.989418	3.998497	3.988778	3.997857	28.41588
2013-01-10 13:15:00	31	3.989656	3.998735	3.988157	3.997236	28.41588
2013-01-10 13:20:00	32	3.987616	3.996695	3.987088	3.996167	28.41588
2013-01-10 13:25:00	33	3.983118	3.999746	3.98591	4.002538	28.40833
2013-01-10 13:30:00	34	3.97978	3.996408	3.986856	4.003484	28.40833
2013-01-10 13:35:00	35	3.984428	4.001056	3.982341	3.998969	28.40833
2013-01-10 13:40:00	36	3.97773	4.006729	3.977732	4.006731	28.39596
2013-01-10 13:45:00	37	3.974176	4.003175	3.975987	4.004986	28.39596
2013-01-10 13:50:00	38	3.979885	4.008884	3.977097	4.006096	28.39596
2013-01-10 13:55:00	39	3.969933	4.001643	3.976332	4.008041	28.39325
2013-01-10 14:00:00	40	3.969765	4.001474	3.970917	4.002626	28.39325

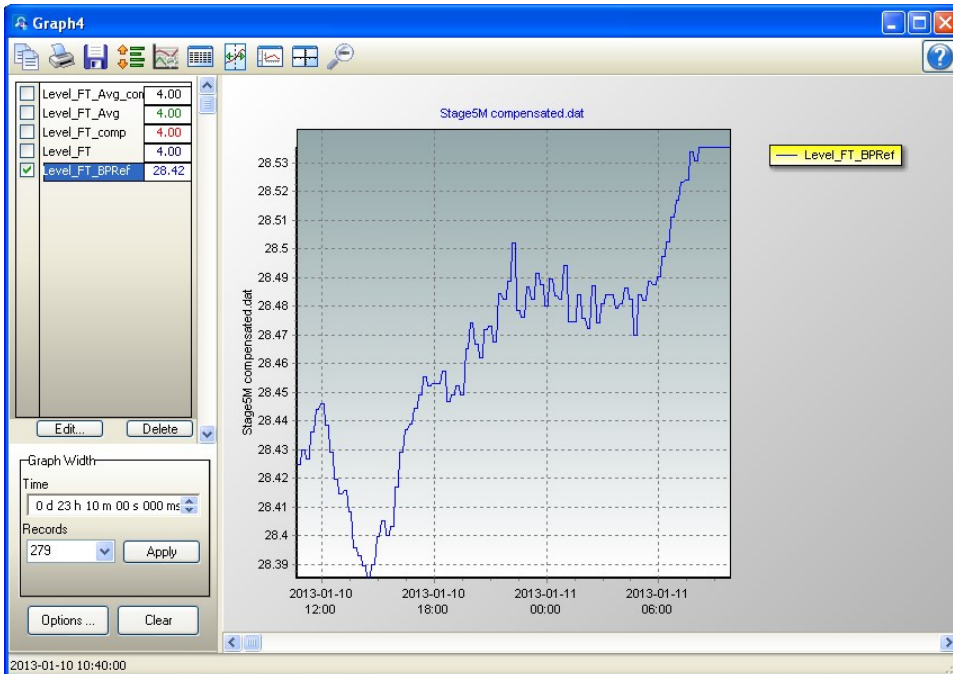
To see the graph, press the **Graph** button. The graph will then appear on a new screen.

An example of the measured data and the barometric pressure compensated data is shown here.



The original data are shown in blue and the compensated data are shown in red.

The barometric pressure sensor data are shown below, also in blue.



# 8. Troubleshooting

---

The most common causes for erroneous pressure transducer data include:

- Low battery
- Damaged CRS451/CRS456
  - Water damage
  - Damage to diaphragm due to excessive pressure
- Atmospheric pressure not subtracted from pressure reading

**Problem:**

Unit will not respond when attempting USB communications.

**Suggestion:**

Replace battery.

Correct COM Port used for communication not selected in *HydroSci*.

# Appendix A. Calibration certificate

---

Each CRS451/CRS456 has been calibrated to meet printed accuracy specification at multiple temperature and pressure ranges. If additional verification is required, a Calibration Certificate can be purchased for each CRS451/CRS456 Water-Level Recording Sensor.

The Instrument Data Report provides a list of the pressure and temperature at which the sensor was tested.

**Pressure [kPa]** is the pressure applied (listed in kilopascals) to the sensor. **Temperature [°C]** is the temperature inside the test chamber at the time of testing. **Pressure After [kPa]** represents the resulting measurement output by the CRS451/CRS456 at the given pressure and temperature. Finally, **Deviation After [%F.S.]** provides the difference between the actual pressure applied to the sensor and the pressure measurement output by the sensor. This value is listed as a percentage of the full scale range of the sensor.

When a CRS451/CRS456 is returned to Campbell Scientific for calibration, the sensor will be returned with an Instrument Data Report. This report will include values in the **Pressure Before [kPa]** column. These values represent the measured pressure the sensor returns at the specified pressure and temperature, before calibration.

## B.1 Maintenance

Campbell Scientific recommends that the CRS451/CRS456 be factory recalibrated every 24 months. Before a CRS451/CRS456 is sent to Campbell Scientific, the customer must get an RMA (returned material authorization) number and fill out the Declaration of Hazardous Material and Decontamination form.

### B.1.1 Every visit

- Collect data.
- Visually inspect the physical conditions.
- Check battery condition by using a laptop and *HydroSci* software to view the battery voltage (see [Battery voltage reading](#) (p. 7)). The battery replacement procedure is provided in [Battery replacement](#) (p. 25).

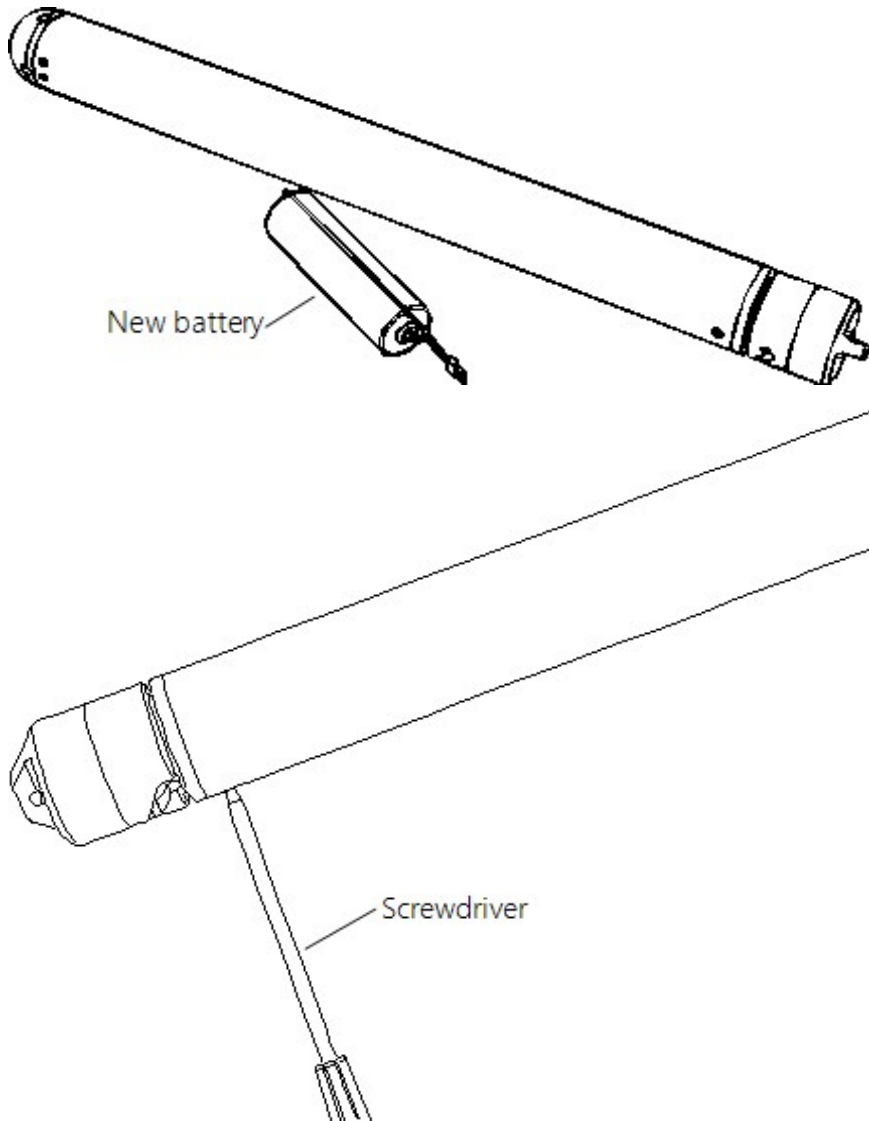
- Check all readings; adjust offsets if necessary.
- Check recent data.

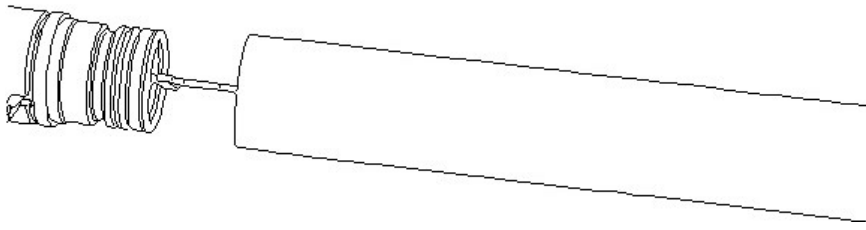
## B.1.2 Every two to three years or on a rotating schedule

- Send the CRS451/CRS456 in for inspection and calibration.

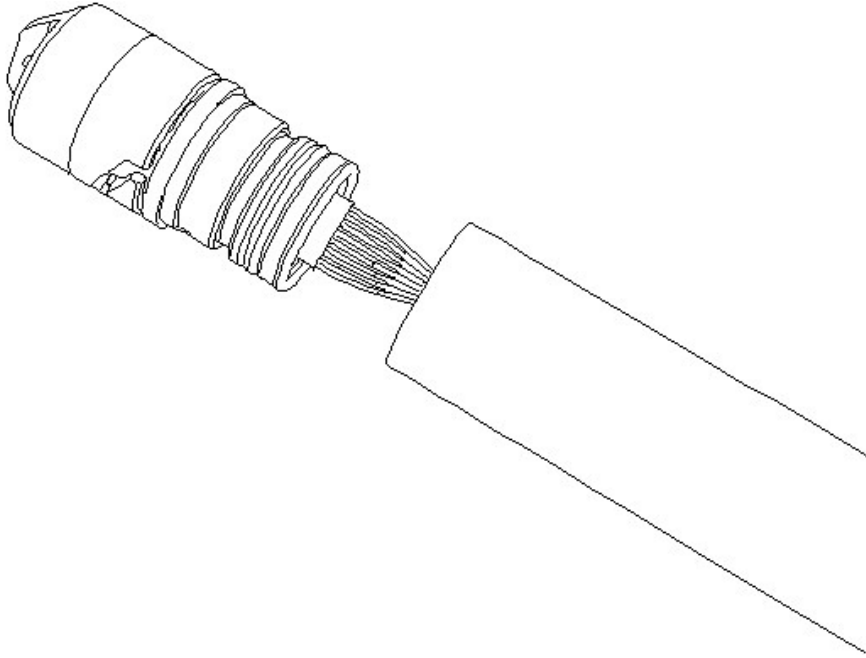
## B.1.3 Battery replacement

A video that describes CRS451/CRS456 battery replacement is available at: [www.campbellsci.com/videos/crs451crs456-sensors-battery-replacement](http://www.campbellsci.com/videos/crs451crs456-sensors-battery-replacement). Remove the set screws on the cap end of the CRS451/CRS456.

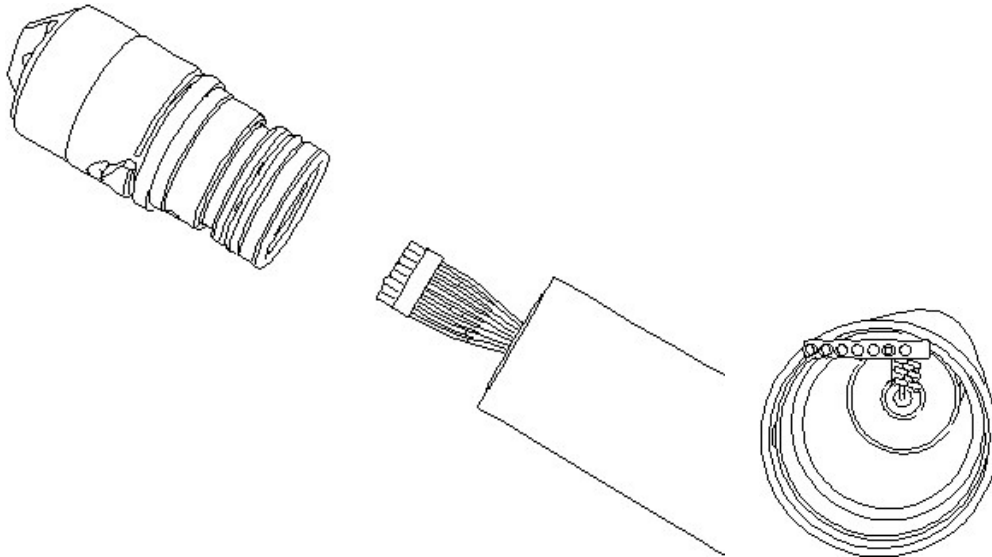




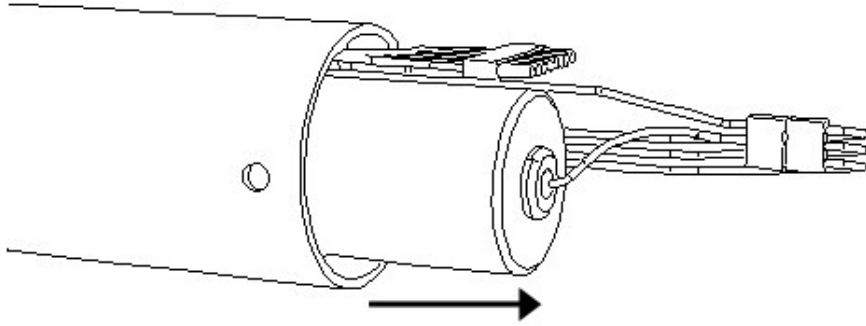
Gently pull the end out of the housing.



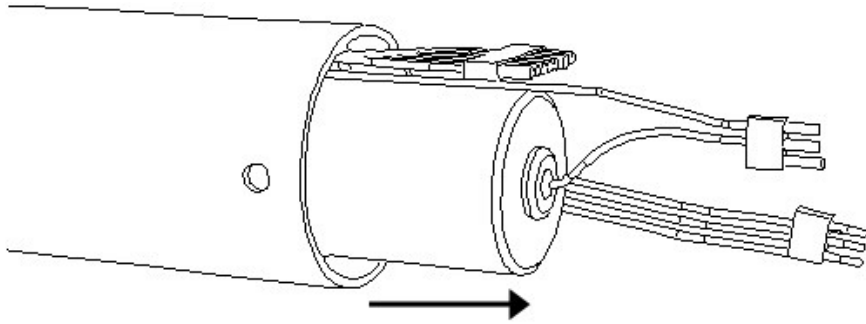
Unplug the connector.



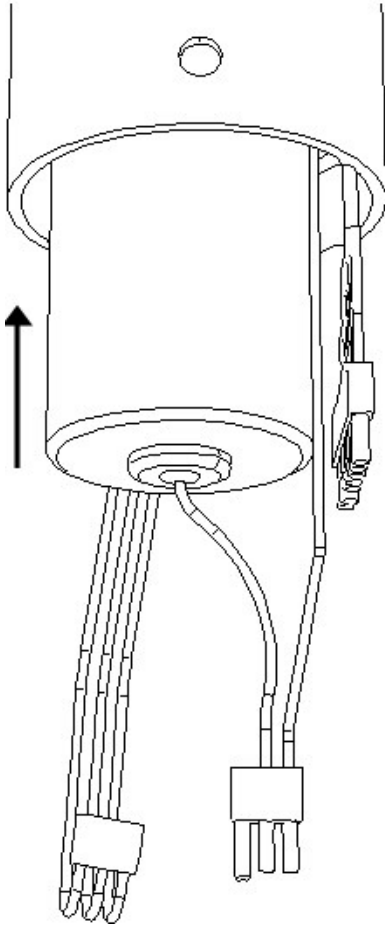
Gently pull the battery out the end.



Disconnect the battery.



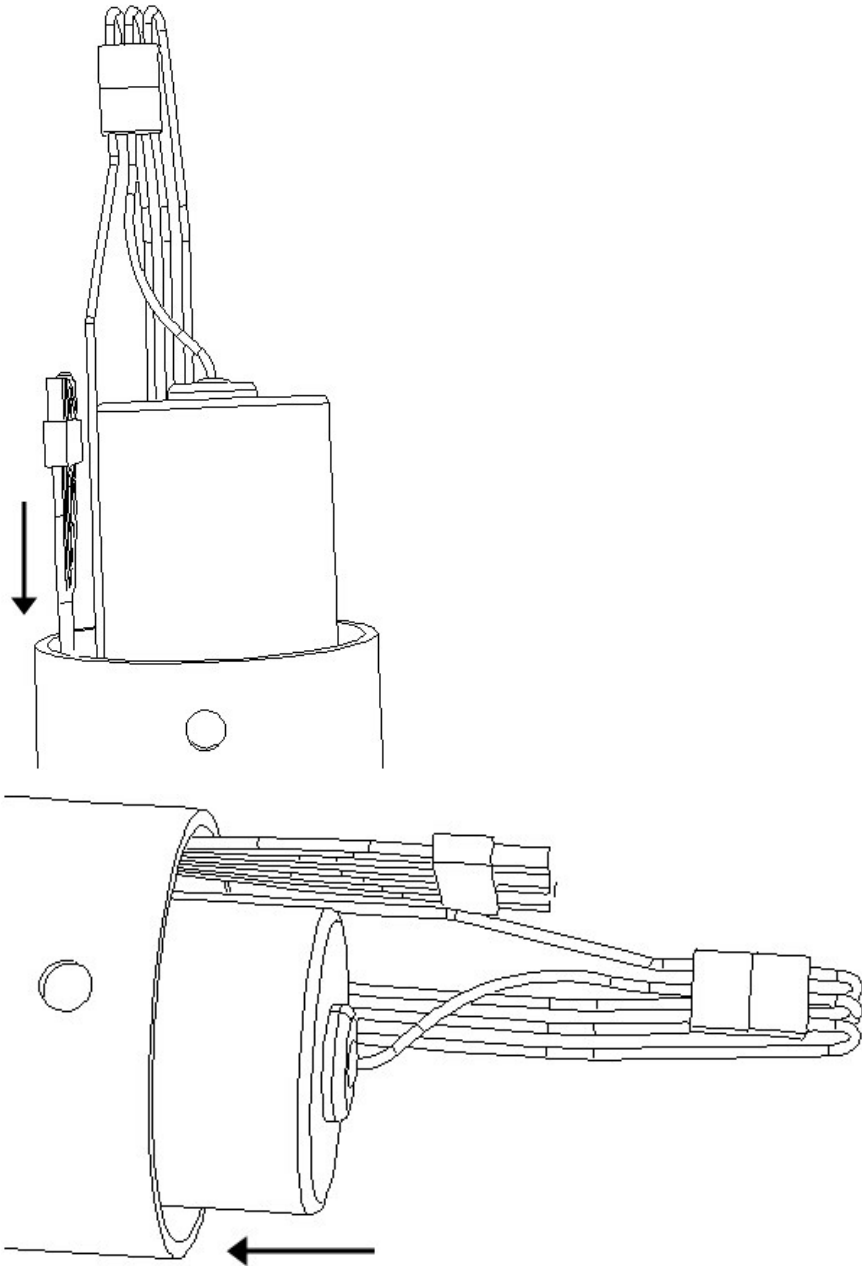
Remove the battery.



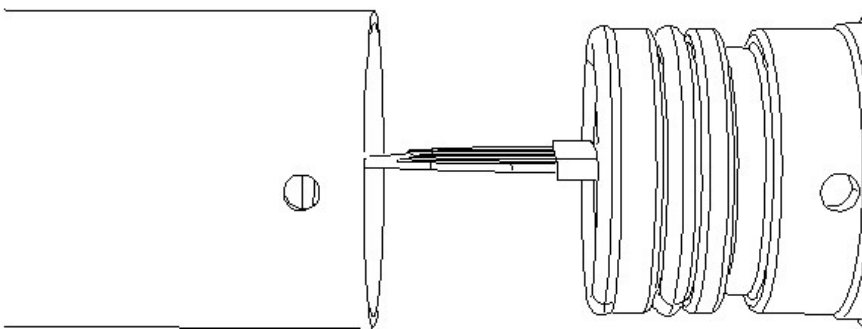
Slide in the new battery.



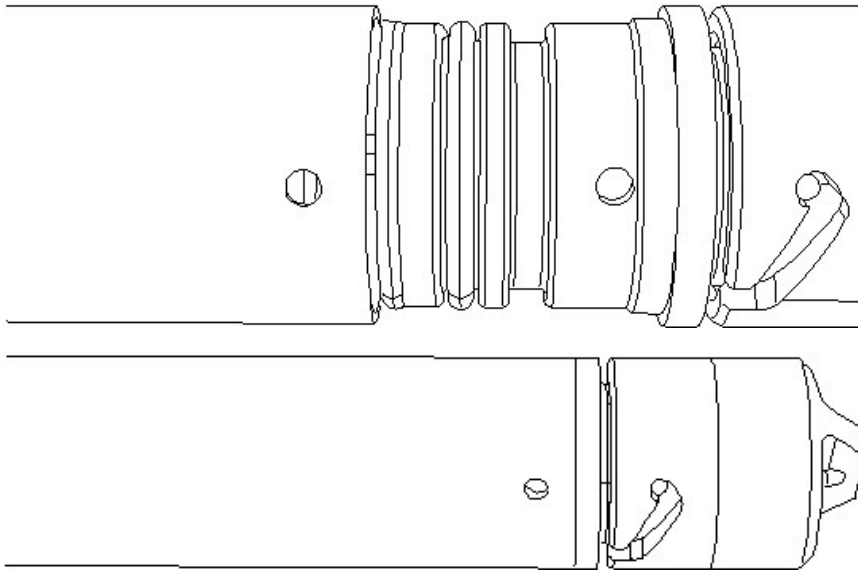
Plug in the new battery.



Slide the battery into the housing.



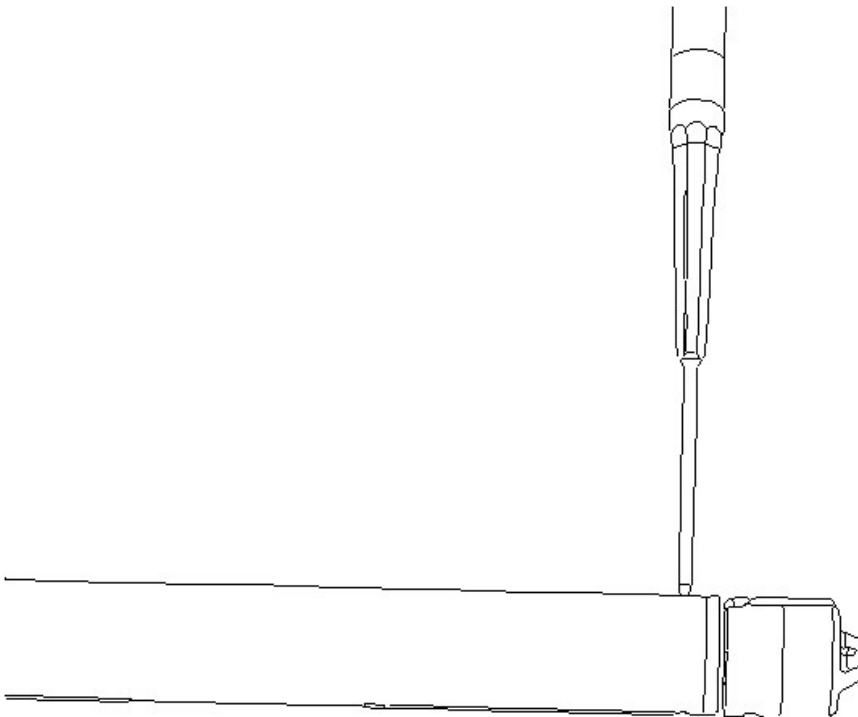
Reconnect the cable.



Gently slide the end piece with its O-rings into the housing.

**CAUTION:**

Nicking the O-ring could result in a leak.



Line up the holes and insert the set screw. Do not over tighten the set screw.

# Appendix C. Conversion to units of measurement

---

Table C-1 (p. 31) provides the conversion factors used to convert psi to other units. For example, 1 psi = 2.30666587369 ft.

Table C-1: PSI conversion factors	
Unit of measurement	Factor of conversion
Feet	2.3066587369
Inches	27.679904843
Metres	0.1019716213
Millimetres	101.9716213



## Global Sales & Support Network

*A worldwide network to help meet your needs*



### Campbell Scientific Regional Offices

#### Australia

**Location:** Garbutt, QLD Australia  
**Phone:** 61.7.4401.7700  
**Email:** [info@campbellsci.com.au](mailto:info@campbellsci.com.au)  
**Website:** [www.campbellsci.com.au](http://www.campbellsci.com.au)

#### Brazil

**Location:** São Paulo, SP Brazil  
**Phone:** 11.3732.3399  
**Email:** [vendas@campbellsci.com.br](mailto:vendas@campbellsci.com.br)  
**Website:** [www.campbellsci.com.br](http://www.campbellsci.com.br)

#### Canada

**Location:** Edmonton, AB Canada  
**Phone:** 780.454.2505  
**Email:** [dataloggers@campbellsci.ca](mailto:dataloggers@campbellsci.ca)  
**Website:** [www.campbellsci.ca](http://www.campbellsci.ca)

#### China

**Location:** Beijing, P. R. China  
**Phone:** 86.10.6561.0080  
**Email:** [info@campbellsci.com.cn](mailto:info@campbellsci.com.cn)  
**Website:** [www.campbellsci.com.cn](http://www.campbellsci.com.cn)

#### Costa Rica

**Location:** San Pedro, Costa Rica  
**Phone:** 506.2280.1564  
**Email:** [info@campbellsci.com](mailto:info@campbellsci.com)  
**Website:** [www.campbellsci.com](http://www.campbellsci.com)

#### France

**Location:** Vincennes, France  
**Phone:** 0033.0.1.56.45.15.20  
**Email:** [info@campbellsci.fr](mailto:info@campbellsci.fr)  
**Website:** [www.campbellsci.fr](http://www.campbellsci.fr)

#### Germany

**Location:** Bremen, Germany  
**Phone:** 49.0.421.460974.0  
**Email:** [info@campbellsci.de](mailto:info@campbellsci.de)  
**Website:** [www.campbellsci.de](http://www.campbellsci.de)

#### India

**Location:** New Delhi, DL India  
**Phone:** 91.11.46500481.482  
**Email:** [info@campbellsci.in](mailto:info@campbellsci.in)  
**Website:** [www.campbellsci.in](http://www.campbellsci.in)

#### South Africa

**Location:** Stellenbosch, South Africa  
**Phone:** 27.21.8809960  
**Email:** [sales@campbellsci.co.za](mailto:sales@campbellsci.co.za)  
**Website:** [www.campbellsci.co.za](http://www.campbellsci.co.za)

#### Spain

**Location:** Barcelona, Spain  
**Phone:** 34.93.2323938  
**Email:** [info@campbellsci.es](mailto:info@campbellsci.es)  
**Website:** [www.campbellsci.es](http://www.campbellsci.es)

#### Thailand

**Location:** Bangkok, Thailand  
**Phone:** 66.2.719.3399  
**Email:** [info@campbellsci.asia](mailto:info@campbellsci.asia)  
**Website:** [www.campbellsci.asia](http://www.campbellsci.asia)

#### UK

**Location:** Shepshed, Loughborough, UK  
**Phone:** 44.0.1509.601141  
**Email:** [sales@campbellsci.co.uk](mailto:sales@campbellsci.co.uk)  
**Website:** [www.campbellsci.co.uk](http://www.campbellsci.co.uk)

#### USA

**Location:** Logan, UT USA  
**Phone:** 435.227.9120  
**Email:** [info@campbellsci.com](mailto:info@campbellsci.com)  
**Website:** [www.campbellsci.com](http://www.campbellsci.com)