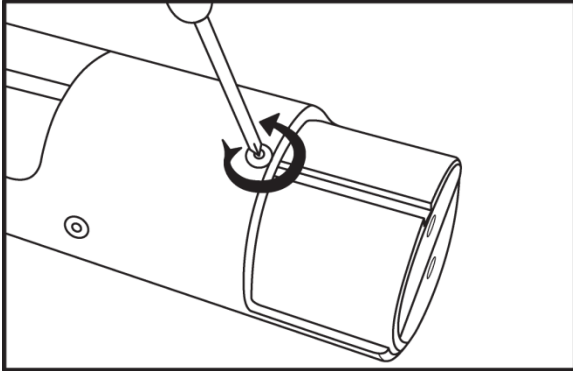
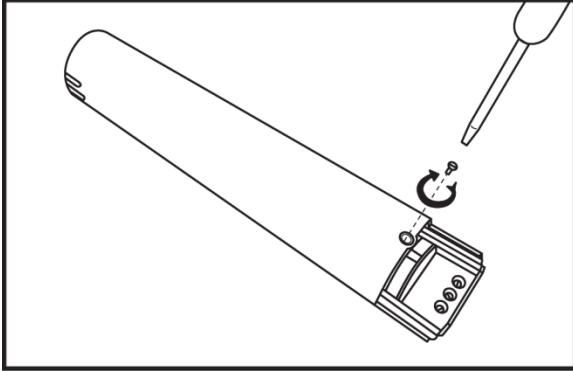


## OBS500 COPPER SLEEVE KIT INSTALLATION

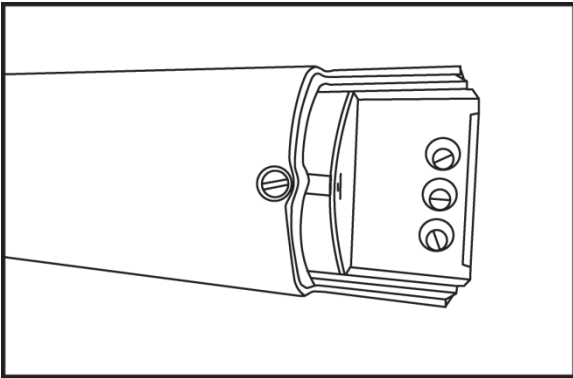
1. Remove the plastic sleeve (if installed) by slipping it off the OBS500. The plastic sleeve is held in place by friction only.
2. Remove the button-head hex screw supplied with the OBS500, as shown.



3. Slide the copper sleeve over the OBS500 and snap it into place.

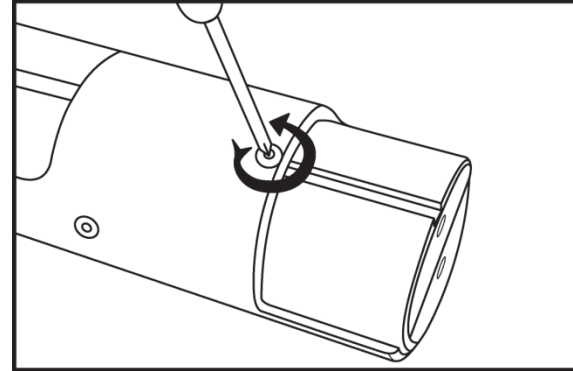


4. Install the 4-40 x 1/4 SS slot head screw supplied with the copper sleeve. Tighten the screw until snug. The hex screw is no longer needed.

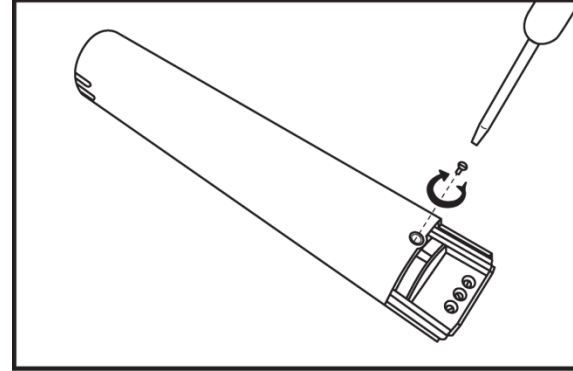


## OBS500 COPPER SLEEVE KIT INSTALLATION

1. Remove the plastic sleeve (if installed) by slipping it off the OBS500. The plastic sleeve is held in place by friction only.
2. Remove the button-head hex screw supplied with the OBS500, as shown.



3. Slide the copper sleeve over the OBS500 and snap it into place.



4. Install the 4-40 x 1/4 SS slot head screw supplied with the copper sleeve. Tighten the screw until snug. The hex screw is no longer needed.

