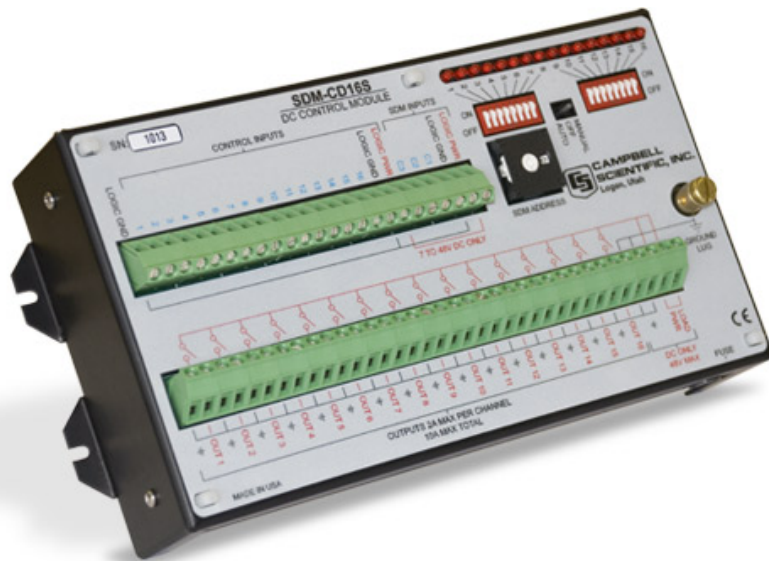


INSTRUCTION MANUAL



SDM-CD16S 16 Channel Solid State DC Control Module

1/08



Copyright © 2000-2008
Campbell Scientific, Inc.

Warranty and Assistance

The **SDM-CD16S 16 CHANNEL SOLID STATE DC CONTROL MODULE** is warranted by CAMPBELL SCIENTIFIC, INC. to be free from defects in materials and workmanship under normal use and service for twelve (12) months from date of shipment unless specified otherwise. Batteries have no warranty. CAMPBELL SCIENTIFIC, INC.'s obligation under this warranty is limited to repairing or replacing (at CAMPBELL SCIENTIFIC, INC.'s option) defective products. The customer shall assume all costs of removing, reinstalling, and shipping defective products to CAMPBELL SCIENTIFIC, INC. CAMPBELL SCIENTIFIC, INC. will return such products by surface carrier prepaid. This warranty shall not apply to any CAMPBELL SCIENTIFIC, INC. products which have been subjected to modification, misuse, neglect, accidents of nature, or shipping damage. This warranty is in lieu of all other warranties, expressed or implied, including warranties of merchantability or fitness for a particular purpose. CAMPBELL SCIENTIFIC, INC. is not liable for special, indirect, incidental, or consequential damages.

Products may not be returned without prior authorization. The following contact information is for US and International customers residing in countries served by Campbell Scientific, Inc. directly. Affiliate companies handle repairs for customers within their territories. Please visit www.campbellsci.com to determine which Campbell Scientific company serves your country. To obtain a Returned Materials Authorization (RMA), contact CAMPBELL SCIENTIFIC, INC., phone (435) 753-2342. After an applications engineer determines the nature of the problem, an RMA number will be issued. Please write this number clearly on the outside of the shipping container. CAMPBELL SCIENTIFIC's shipping address is:

CAMPBELL SCIENTIFIC, INC.

RMA#_____

815 West 1800 North

Logan, Utah 84321-1784

CAMPBELL SCIENTIFIC, INC. does not accept collect calls.

SDM-CD16S Table of Contents

PDF viewers note: These page numbers refer to the printed version of this document. Use the Adobe Acrobat® bookmarks tab for links to specific sections.

1. Function	1
2. Specifications	2
3. Power Considerations	3
4. Installation	4
4.1 Wiring.....	5
4.1.1 SDM-CD16S Power and Control Connections.....	5
4.1.2 Controlled Device Connections	6
5. Address Selection Switch	6
6. Datalogger Instructions	7
6.1 CRBasic Dataloggers (CR800, CR850, CR1000, CR3000, CR5000, CR9000(X))	7
6.2 Datalogger Instructions 104 (CR10/10X, CR23X, 21X, CR7) and 29 (older CR7s)	8
7. Theory of Operation	9
8. Program Examples	10
8.1 Control Temperature and Fans – CR1000	10
8.2 Control Temperature and Fans – CR10X	12
8.3 Control Gas Sampling Based on Time – CR1000	16
8.3.1 Terminology.....	16
8.3.2 Data Tables	17
8.3.3 Initialization Section (between BeginProg and Scan).....	17
8.4 Control Gas Sampling with Timing in Measurement Task – CR1000 ...	20
8.4.1 The Purpose of this Example	20
8.4.2 Pipeline vs Sequential	20
8.4.3 TimedControl Instruction.....	21

Figures

1. SDM-CD16S Face Panel	1
2. Equivalent Output Driver Circuit	3
3. Connection Block Diagrams.....	4
4. Typical Wiring Application.....	6

Tables

- 1. Datalogger to SDM-CD16S Connections 6
- 2. Switch Position and Addresses 7

SDM-CD16S 16 Channel Solid State DC Control Module

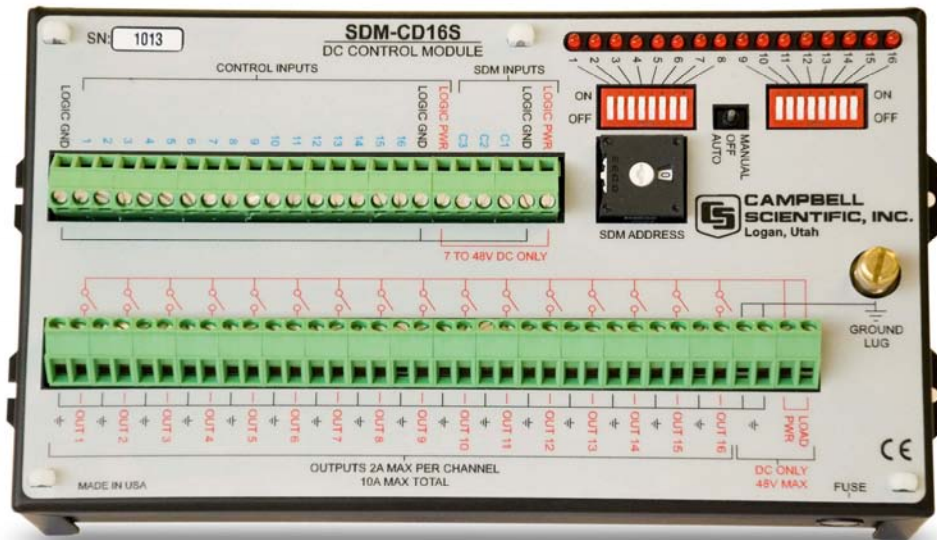


FIGURE 1. SDM-CD16S Face Panel

1. Function

The SDM-CD16S has 16 DC voltage outputs that can be switched on and off manually or under datalogger control. Separate inputs for the power to the outputs (48 VDC max) and the power to SDM-CD16 logic (7 – 48 VDC) allow the option of powering the logic from the datalogger 12 V while switching a higher voltage. LEDs allow a visual indicator of active outputs.

The outputs can be controlled by a datalogger or controlled manually with a manual override toggle switch and individual rocker switches for each of the outputs.

The toggle switch has three positions: MANUAL, OFF and AUTO. In the MANUAL position, outputs are controlled by the position of the individual rocker switches. In the OFF position, all outputs are off. In the AUTO position, the state of the relays is controlled by the SDM commands from the datalogger or by the logic control inputs.

The SDM-CD16S is a synchronously addressed datalogger peripheral. Datalogger control ports 1, 2, and 3 are used to address the SDM-CD16S, then clock out the desired state of each of the 16 control ports. Up to 16 SDM-CD16Ss may be addressed, making it possible to control a maximum of 256 ports from the datalogger's first three control ports. The SDMCD16AC instruction is used to control the SDM-CD16S in CRBasic dataloggers. In

Edlog dataloggers that support SDM-CD16 devices, I/O Instruction 104 is used (some old CR7s may use Instruction 29).

In addition to SDM control, the SDM-CD16S has individual digital control inputs for each of the outputs. A logic high (5 V) on the control input will set the associated output high. The control input OR the SDM command can set the output high. Both the SDM command and the control input must be low for the port to be low. The logic control inputs may be useful for using one of the datalogger's control ports with the pulse width modulation instruction for a proportional control that changes faster than the datalogger scan rate. (The pulse width modulation instruction is PWM in CRBasic dataloggers, Instruction 137 in the CR23X.) Devices other than the datalogger that have a 0V/5V logic output for control might also be used to activate the digital control inputs.

NOTE Ensure that the datalogger contains the appropriate instruction and test your datalogger program before going in the field.

2. Specifications

Compatible dataloggers:	CR9000(X), CR5000, CR3000, CR1000, CR850, CR800, CR23X, CR10, 21X, and CR7.
Logic power voltage:	7 to 48 VDC
Logic current drain at 12 VDC:	15 mA quiescent; 2.5 mA per active LED (manual or auto)
Maximum cable length:	20 ft total to all SDM devices. Consult CSI if longer lengths are necessary.
Toggle switch:	MANUAL, OFF, AUTO Individual dip switches for manual
Supply voltage for output:	48 Volt Max, DC only
Maximum current per channel:	2 Amps
Maximum current all channels total:	10 Amps Fused
Fuse:	3 AG – 10 A
Actuation/release times:	8 μ s/200 μ s
Operating temperature:	-40° to 70°C

* If more detailed output characteristics are required, experienced users should consult the equivalent circuit diagrams shown in Figure 2, below.

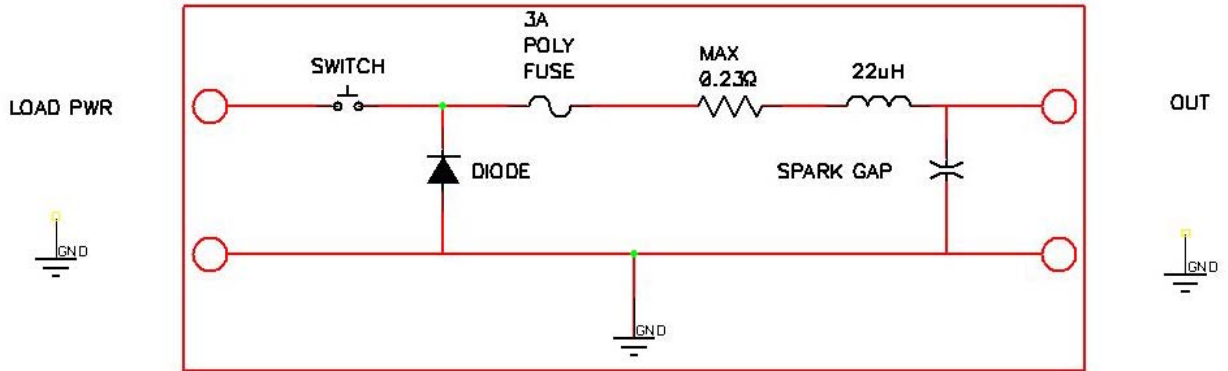


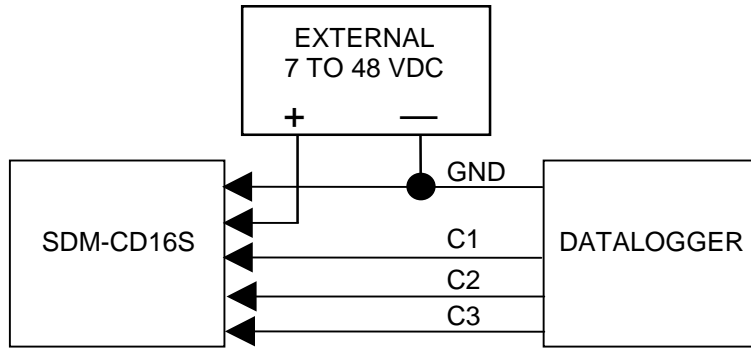
FIGURE 2. Equivalent Output Driver Circuit

3. Power Considerations

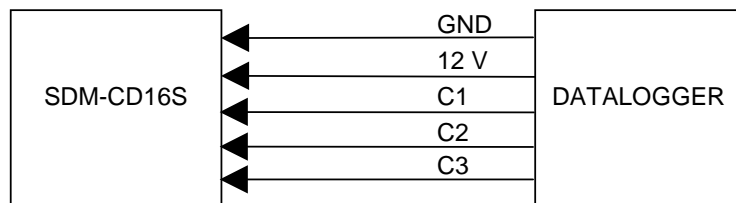
The SDM-CD16S power requirements may be large compared to most CSI products. For most applications, an external power supply (see Figure 3) is recommended to power the SDM-CD16S.

For some applications, it may be convenient to use the datalogger supply to power the SDM-CD16S (see Figure 3). For long-term applications, the lead acid power supply available with CSI dataloggers should be used, allowing the batteries to be float charged. It is not recommended that the datalogger alkaline supply be used to power the SDM-CD16S for long term applications.

If the datalogger lead acid supply is used, the current available from the wall charger limits the SDM-continuous output current.



Connection with External Supply



Connection with Datalogger Supply

FIGURE 3. Connection Block Diagrams

If the 21X power supply is used to power the SDM-CD16S Load Power, all low level analog measurements (thermocouples, pyranometers, thermopiles, etc.) must be made differentially. This is a result of slight ground potentials created along the 21X analog terminal strip when the 12 V supply is used to power peripherals. This limitation reduces the number of available analog input channels and may mandate an external supply for the SDM-CD16S.

4. Installation

- The SDM-CD16S must be installed in an enclosure that provides a pollution degree 2 environment (normally, only nonconductive pollution. However, a temporary conductivity caused by condensation may be expected). All Campbell Scientific enclosures meet this requirement.
- Use copper conductors only.

CAUTION

Cables connecting the terminals of the datalogger and SDM device should be kept as short as possible to minimize the risk of corruption of the signals and damage from induced surges. Where long cable runs (>3 m) are unavoidable and the cables run outside, some extra protection may be required for the SDM control terminals. Please contact Campbell Scientific for further advice. When connecting wires to the SDM signal terminals, please ensure they are at ground potential before making the connection, e.g. by touching them to the earth terminal.

For datalogger connections, see Table 1.

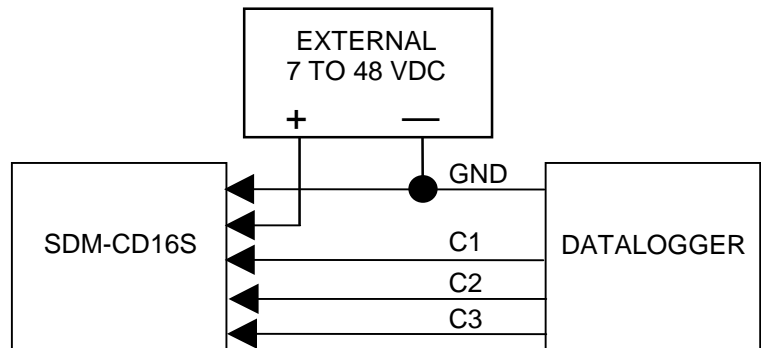
Multiple SDM-CD16Ss may be wired in parallel by connecting the datalogger side of one SDM-CD16S to the next. In most installations the total length of the cables connecting the SDM-CD16S and other SDM peripherals should not exceed 20 feet.

Total cable lengths in excess of 20 feet may adversely influence communication performance. (For CR7 dataloggers, the total cable length should not exceed 600 feet.)

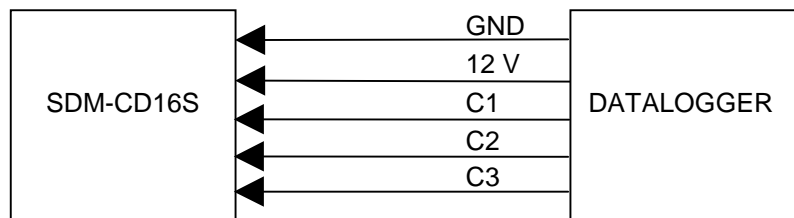
4.1 Wiring

4.1.1 SDM-CD16S Power and Control Connections

Refer to Figure 3 and Table 1 for SDM-CD16S operating power and control connections to the datalogger.



Connection to External Supply



Connection to Datalogger Supply

FIGURE 3. Connection Block Diagrams

TABLE 1. Datalogger to SDM-CD16S Connections		
SDM-CD16S	Datalogger	Function
Logic Power	12 V on datalogger or 7 to 48 V external supply	Power
Logic Gnd	Gnd	Common ground
C1	C1 (Control Port 1)	Data
C2	C2 (Control Port 2)	Clock
C3	C3 (Control Port 3)	Enable

4.1.2 Controlled Device Connections

In most applications, the SDM-CD16S acts as a switch (controllable break) in the positive supply of the circuit powering the controlled device. Figure 4 shows an example.

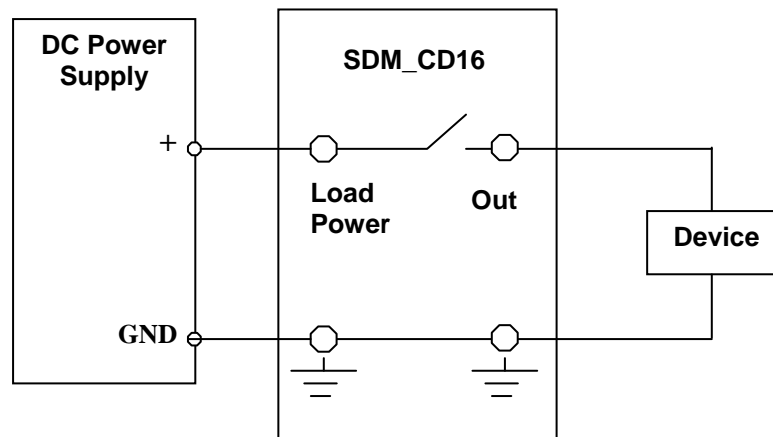


FIGURE 4. Typical Wiring Application

5. Address Selection Switch

Each SDM-CD16S can have 1 of 16 addresses. Shipped from the factory, the address is set at 00. Table 2 shows switch position and the corresponding address.

TABLE 2. Switch Position and Addresses		
Switch Setting	Base 10 Address CRBasic Dataloggers	Base 4 Address Edlog Dataloggers
0	0	00
1	1	01
2	2	02
3	3	03
4	4	10
5	5	11
6	6	12
7	7	13
8	8	20
9	9	21
A	10	22
B	11	23
C	12	30
D	13	31
E	14	32
F	15	33

6. Datalogger Instructions

6.1 CRBasic Dataloggers (CR800, CR850, CR1000, CR3000, CR5000, CR9000(X))

The SDMCD16AC instruction is used to control all versions of the SDM-CD16.

SDMCD16AC (Source, Repts, SDMAAddress)

Remarks

A port on an SDM-CD16AC is enabled/disabled (turned on or off) by sending a value to it using the SDMCD16AC instruction. A non-zero value will enable the port; a zero value disables it. The values to be sent to the SDM-CD16AC are held in the Source array.

The SDMCD16AC instruction has the following parameters:

Source The Source parameter is an array (dimensioned as Float, Long, or Boolean) which holds the values that will be sent to the SDM-CD16AC to enable/disable its ports. An SDM-CD16AC has 16 ports; therefore, in most instances the source array should be dimensioned to 16 times the number of Repetitions (the number of SDM-CD16AC devices to be controlled). As an example, with the array CDCtrl(32), the value held in CDCtrl(1) will be sent to port 1, the value held in CDCtrl(2) will be sent to port 2, etc. The value held in

CDCtrl(32) would be sent to port 16 on the second SDM-CD16AC.

If the Source parameter is defined as a Long variable, but it is dimensioned less than 16 * Repts, Source will act as a binary control for the instruction whose bits 0..15 will specify control ports 1..16, respectively. In this instance, Source(1) will be used for the first rep, Source(2) will be used for the second, and so on.

Reps	The Reps parameter is the number of SDM-CD16AC devices that will be controlled with this instruction.
SDMAddress	The SDMAddress parameter is used to define the address of the SDM-CD16AC that will be controlled with this instruction. Valid SDM addresses are 0 through 14. Address 15 is reserved for the SDMTrigger instruction. If the Reps parameter is greater than 1, the datalogger will increment the SDM address for each subsequent device that it communicates with.

NOTE

CRBasic dataloggers use base 10 when addressing SDM devices. Edlog programmed dataloggers (e.g., CR10X, CR23X) used base 4 for addressing (Table 2).

CRBasic dataloggers also have the TimedControl instruction which allows a timed sequence of settings to be managed by the measurement task avoiding possible processing delays to cause delayed switching (pipeline mode only). See an example in Section 8.4.

6.2 Datalogger Instructions 104 (CR10/10X, CR23X, 21X, CR7) and 29 (older CR7s)

The CR10/10X, CR23X, CR7 and 21X use instruction 104 to control the SDM-CD16S. Instruction 29 is used by older CR7s. The Instruction descriptions are shown below.

Instruction 104 – SDM-CD16S used with CR10/10X, CR23X, CR7 and 21X dataloggers		
Parameter	Type	Description
1	2	Reps (No. of modules sequentially addressed)
2	2	Starting Address (base 4: 00..33)
3	4	Starting Input Location
Execution Time =		2ms per Rep for the CR10/10X and CR23X 3.5ms per Rep for the 21X and CR7

Instruction 29 – SDM-CD16S used with older CR7s

Parameter	Type	Description
1	2	Reps (No. of modules sequentially addressed)
2	2	Device (2 = SDM-CD16S)
3	2	Starting Address (base 4: 00..33)
4	2	Card (Excitation card No.)
5	4	Starting Input Location
Execution Time = 150ms to 190ms per Rep		

The number of SDM-CD16Ss to be addressed is defined by the Reps (repetitions) parameter. Each Rep sequentially addresses (00, 01, 02,...32, 33) SDM-CD16Ss, starting with the address specified in parameter 2 (parameter 3 for Instruction 29).

For each repetition, the 16 ports of the addressed SDM-CD16S are set according to 16 sequential input locations starting at the input location specified in parameter 3 (parameter 5 for Instruction 29). Any non-zero value stored in an input location activates (sets HI 5V) the associated SDM-CD16S port. A value of zero (0) de-activates the port (sets LO 0V). For example, assuming two repetitions and a starting input location of 33, outputs 1 to 16 of the first SDM-CD16S are set according to input locations 33 to 48, and outputs 1 to 16 of the second SDM-CD16S are set according to input locations 49 to 64.

For older CR7s with Instruction 29, the Device (parameter 2) specifies what type of synchronously addressed peripheral is to be addressed. The Device code for an SDM-CD16S is 2.

For Instruction 29 only (older CR7s), the Card parameter (parameter 4) specifies which 725 Excitation Card is being used for the control port signals. The Reps parameter does not advance beyond the specified Card, requiring another Instruction 29 for each 725 Excitation Card used.

7. Theory of Operation

The SDM-CD16S is a synchronously addressed peripheral. C2 and C3, driven high by the datalogger, initiate a cycle. While holding C3 high, the datalogger drives C2 as a clock line and C1 as a serial data line. The datalogger shifts out a data bit on C1 (LSB first) on the falling edge of the C2 clock. The SDM-CD16S shifts in the C1 data bit on the rising edge of the C2 clock.

The first 8 bits clocked out represent the SDM-CD16S address. If the address matches the SDM-CD16S's address, the SDM-CD16S is enabled. If enabled, the next 16 bits are shifted into the SDM-CD16S, each bit controlling one port, the first of which controls OUT 1.

When the 16 control bits are clocked in, C2 is held high while C3 is pulsed low then high to latch the control bits. The datalogger then lowers both C3 and C2 to complete the cycle.

8. Program Examples

8.1 Control Temperature and Fans – CR1000

In this example, the SDM-CD16S is used to control the temperature between 23° and 28°C in each of 5 greenhouses. In each greenhouse the SDM-CD16S controls a heating unit, a refrigerating unit, and an air-mixing fan according to the following conditions.

Heating unit: Activate when temperature < 23.5°C. Deactivate when temperature > 25.5°C

Cooling unit: Activate when temperature > 27.5°C. Deactivate when temperature < 24.5°C

Mixing fan: Activate whenever the heating or cooling units are activated. Activate for 5 minutes out of every 15 minutes.

The program assumes the temperature measurements have been made, and the average temperature for each greenhouse is computed and residing in the appropriate variable

Input Location assignments are as follows:

Variable Array	Description
Temp(5)	Avg temp, greenhouse 1..5
Heat(5)	Heater control, greenhouse 1..5 SDM-CD16S Port 1..5
Cool(5)	Cooler control, greenhouse 1..5 SDM-CD16S Port 6..10
Fan(5)	Fan control, greenhouse 1..5 SDM-CD16S Port 11..15
CD16_Output(16)	EXAMPLE 1: the actual values used to control the SDM-CD16: <i>CD16_Output(I)</i> , <i>I = 1 to 5</i> are for Heat, <i>I = 6 to 10</i> are for Cooling, <i>I = 11 to 15</i> are for Fans
CD16_Output as Long	EXAMPLE 2: the actual value used to control SDMCD the <i>CD16_Output</i> bits set the SDM-CD16S ports. bits 0 to 4 are for 'Heat, 5 to 9 are for Cooling, 10 to 14 are for Fans

The Example 1 program uses an array of values to set the SDM-CD16S control outputs:

```

Program name: SDMCD16Example1.CRI
'Date written: 6/25/2007
^////////////////////// DECLARATIONS //////////////////////////////////////
Public Flag(8) as boolean
Public I
Public Temp(5)
Public Heat(5)
Public Cool(5)
Public Fan(5)
'Note CD16_Output(I), I = 1 to 5 are for Heat, I = 6 to 10 are for 'Cooling, I= 11 to 15 are for Fans
Dim CD16_Output(16)

^////////////////////// PROGRAM //////////////////////////////////////

BeginProg
  Scan(5,Sec, 3, 0)
  For I = 1 to 5
    If (Temp(I) < 23.5) Then
      Heat(I) = 1
    ElseIf (Temp(I) >= 25.5) Then
      Heat(I) = 0
    EndIf
    If (Temp(I) >= 27.5) Then
      Cool(I) = 1
    ElseIf (Temp(I) < 24.5) Then
      Cool(I) = 0
    EndIf
    If (Heat(I) <> 0) OR (Cool(I) <> 0) Then
      Fan(I) = 1
    Else
      Fan(I) = 0
    EndIf
  Next I
  If TimeInToInterval(10,15,Min) Then Flag(2) = True
  If TimeInToInterval(0,15,Min) Then Flag(2) = False
  If Flag(2) = True then
    For I = 1 to 5
      Fan(I) = 1
    Next I
  EndIf
  For I = 1 to 5
    CD16_Output(I) = Heat(I)
    CD16_Output(I+5) = Cool(I)
    CD16_Output(I+10) = Fan(I)
  Next I
  SDMCD16AC(CD16_Output(), 1, 0)
NextScan
EndProg

```

The Example 2 program uses an integer instead of an array to set the SDM-CD16S control outputs:

```
'Program name: SDMCD16Example2.CRI
'Date written: 6/25/2007
'////////////////////// DECLARATIONS ////////////////////////
Public Temp(5)
Public TimedFanOn as Boolean
Dim I as Long
Dim CD16_Output as Long
'Note: CD16_Output bits set the SDM-CD16S ports. bits 0 to 4 are for 'Heat,
'5 to 9 are for Cooling, 10 to 14 are for Fans

'////////////////////// PROGRAM ////////////////////////

BeginProg
  Scan(5,Sec, 3, 0)
  For I = 1 to 5
    If (Temp(I) < 23.5) Then           'Set appropriate Heater Bit High:
      CD16_Output = CD16_Output OR 2^(I-1)
    ElseIf (Temp(I) >= 25.5) Then      'Set appropriate Heater Bit Low:
      CD16_Output = CD16_Output AND (&H7FFF - 2^(I-1))
    EndIf
    If (Temp(I) >= 27.5) Then          'Set appropriate Cooler Bit High:
      CD16_Output = CD16_Output OR 2^(I+4)
    ElseIf (Temp(I) < 24.5) Then      'Set appropriate Cooler Bit Low:
      CD16_Output = CD16_Output AND (&H7FFF - 2^(I+4))
    EndIf
  Next I
  CD16_Output = (CD16_Output AND &H3FF) 'Set all Fan Bits Low
  'Turn on Fan Bits for active Heaters or Coolers:
  CD16_Output = CD16_Output OR (((CD16_Output*2^5) OR (CD16_Output*2^10)) AND &H7C00)

  If TimeInToInterval(10,15,Min) Then TimedFanON = True
  If TimeInToInterval(0,15,Min) Then TimedFanON = False
  If TimedFanON = True Then           CD16_Output = CD16_Output OR &H7C00

  SDMCD16AC(CD16_Output(), 1, 0)
NextScan
EndProg
```

8.2 Control Temperature and Fans – CR10X

The example is written for the CR10(X) Measurement and Control Module. The program concepts presented are the same for the 21X and CR7 dataloggers with minor program code changes.

The conditions and set points are the same as for example 8.1.

The program assumes the temperature measurements have been made, and the average temperature for each greenhouse is computed and residing in Input Locations 1 through 5.

Input Location assignments are as follows:

Input Location	Location Label	Description
1..5	Temp #1..#5	Avg temp, greenhouse 1..5
10..14	Heat #1..#5	Heater control, greenhouse 1..5 SDM-CD16S Port 1..5
15..19	Cool #1..#5	Cooler control, greenhouse 1..5 SDM-CD16S Port 6..10
20..24	Fan #1..#5	Fan control, greenhouse 1..5 SDM-CD16S Port 11..15

1: Beginning of Loop (P87)		<i>Master Loop, End</i>
1: 0	Delay	<i>Loop at Step 30</i>
2: 5	Loop Count	
START HEATER CONTROL LOGIC		
2: If X<=>F (P89)		<i>If "Heater On"</i>
1: 1--	X Loc	<i>threshold is</i>
2: 4	<	<i>exceeded</i>
3: 23.5	F	
4: 30	Then Do	<i>Then</i>
3: Z=F (P30)		<i>Put a "1" into Heater</i>
1: 1	F	<i>Control Location</i>
2: 0	Exponent of 10	
3: 10--	Z Loc :	
4: End (P95)		<i>End Then Do/End</i>
5: If X<=>F (P89)		<i>If Heater</i>
1: 10--	X Loc	<i>#1 on (Heater Control</i>
2: 2	<>	<i>Location <> 0)</i>
3: 0	F	
4: 30	Then Do	<i>Then</i>
6: If X<=>F (P89)		<i>Temp #1 Check Upper Threshold</i>
1: 1--	X Loc	<i>to see if heater should</i>
2: 3	>=	<i>be turned off</i>
3: 25.5	F	
4: 30	Then Do	
7: Z=F (P30)		<i>If heater should be turned</i>
1: 0	F	<i>off, enter a "0" into</i>
2: 0	Exponent of 10	<i>heater control location</i>
3: 10--	Z Loc :	
8: End (P95)		<i>Else Then Do/End</i>

9: Else (P94)		<i>Else, If the heater is off,</i>
10: Z=F (P30)		
1: 0	F	<i>Enter a "0" into heater</i>
2: 0	Exponent of 10	<i>control location</i>
3: 10--	Z Loc :	
11: End (P95)		<i>End Then Do/Else/End</i>
END HEATER CONTROL LOGIC		
START COOLER CONTROL LOGIC		
12: If X<=>F (P89)		<i>If "Cooler" on</i>
1: 1--	X Loc	<i>threshold is</i>
2: 3	>=	<i>exceeded</i>
3: 27.5	F	
4: 30	Then Do	<i>Then</i>
13: Z=F (P30)		<i>Put a "1" into cooler</i>
1: 1	F	<i>Control Location</i>
2: 0	Exponent of 10	
3: 15--	Z Loc :	
14: End (P95)		<i>End Then Do/End</i>
15: If X<=>F (P89)		<i>If cooler is on</i>
1: 15--	X Loc	<i>(Cooler control</i>
2: 2	<	<i>Location <>0)</i>
3: 0	F	
4: 30	Then Do	<i>Then</i>
16: If X<=>F (P89)		<i>Check lower threshold to</i>
1: 1--	X Loc	<i>see if cooler should be</i>
2: 4	<	<i>turned off</i>
3: 24.5	F	
4: 30	Then Do	
17: Z=F (P30)		<i>If cooler should be turned</i>
1: 0	F	<i>off, put a "0" into cooler</i>
2: 0	Exponent of 10	<i>control location</i>
3: 15--	Z Loc :	
18: End (P95)		<i>End Then Do/End</i>
19: Else (P94)		<i>Else if cooler is off</i>
20: Z=F (P30)		
1: 0	F	<i>Put a "0" into cooler</i>
2: 0	Exponent of 10	<i>control location</i>
3: 15--	Z Loc :	
21: End (P95)		<i>End Then Do/Else/End</i>
END COOLER CONTROL LOGIC		

START FAN CONTROL LOGIC BASED ON HEATER/COOLER

22: If X<=>F (P89) *If heater is on*
 1: 10-- X Loc
 2: 2 <>
 3: 0 F
 4: 11 Set high Flag 1 *Set flag 1*

23: If X<=>F (P89) *If cooler is on*
 1: 15-- X Loc
 2: 2 <>
 3: 0 F
 4: 11 Set high Flag 1 *Set flag 1*

24: If Flag/Port (P91) *If flag 1 is set*
 1: 11 Do if flag 1 is high
 2: 30 Then Do *Then*

25: Z=F (P30) *Put a "1" into fan control location*
 1: 1 F
 2: 0 Exponent of 10
 3: 20-- Z Loc:

26: Else (P94) *Else, If flag 1 is reset*

27: Z=F (P30) *Put a "0" into fan control location*
 1: 0 F
 2: 0 Exponent of 10
 3: 20-- Z Loc :

28: End (P95) *End Then Do/Else/End*

29: Do (P86) *Reset flag 1*
 1: 21 Set low Flag 1

30: End Loop (P95) *End Master Loop*

END FAN CONTROL LOGIC BASED ON HEATER/COOLER**START FAN CONTROL LOGIC BASED ON TIME**

31: If time is (P92) *If 5 minutes remain out of 15 minute interval,*
 1: 10 minutes into a
 2: 15 minute interval
 3: 12 Set high Flag 2 *set flag 2*

32: If Flag/Port (P91) *If flag 2 is set*
 1: 12 Do if flag 2 is high
 2: 30 Then Do *Then*

33: Beginning of Loop (P87)		<i>Start fan loop</i>
1: 0	Delay	
2: 5	Loop Count	
34: Z=F (P30)		<i>PUT A "1" INTO FAN CONTROL LOCATION</i>
1: 1	F	
2: 0	Exponent of 10	
3: 20--	Z Loc :	
35: End (P95)		<i>End fan loop</i>
36: End (P95)		<i>End then do</i>
37: If time is (P92)		
1: 0	minutes into a	<i>Reset flag 2 at the</i>
2: 15	minute interval	<i>end of the 15 minute</i>
3: 22	Set low Flag 2	
END FAN CONTROL LOGIC BASED ON TIME		
INPUT LOCATIONS 10 THROUGH 24 ARE NOW LOADED WITH "1" OR "0" TO SET PORTS ON THE SDM-CD16S.		
38: SDM-CD16S (P104)		<i>Send instructions to the SDM-CD16S with address 00</i>
1: 1	Reps	
2: 00	Address	
3: 10	Loc	
39: End Table 1 (P)		

8.3 Control Gas Sampling Based on Time – CR1000

The SDM-CD16S is ideal for controlling low power DC operated solenoid valves such as might be used to control a manifold as part of a gas sampling system. This example shows one way to do that.

8.3.1 Terminology

Site: A site may be the physical site where the air is sampled (i.e. intake or chamber) or a connection to a calibration gas. Each site has a unique SDMCD16S/valve setting that configures the manifold to connect gas from that site to the sample path of the gas analyzer. There are 8 connections to the “site selection” manifold. The numbers 1 through 8 identify the sites. The site numbers are the same as the number of the intake on the manifold and the number of the SDMCD16 relay controlling that valve. Sites 1 – 6 are connected to sample intakes to measure a atmospheric profile and sites 7 and 8 are used for calibration gases.

Site Sequence: The sequence in which the sites are measured is determined by the SiteSequence array. The sites are measured in the sequence that the site numbers are entered in this array, not necessarily in order of site number.

The SiteSequence array also allows a site to be measured multiple times within the sequence. For some measurements it is necessary to measure calibration gases frequently (e.g., the concentration of various isotopes of CO₂ with a trace gas analyzer.)

The sequence in the example, with the six sample intakes and two calibration gases, is to measure 3 sample intakes, measure the zero and span, measure the other 3 intakes, and again measure the zero and span. There are 10 sites in the sequence. (The SiteSequence array is dimensioned to 10 elements.) The sequence is 1, 2, 3, 7, 8, 4, 5, 6, 7, 8. Thirty seconds is spent on each site the sequence. Thus it takes 5 minutes to run through the sequence of 10 sites (10 sites x 30 seconds/site). This sequence is repeated again and again.

OmitCounts: When the manifold is switched to a new site, it is necessary to purge the line before the analyzer measurement represents the new site. The program includes a counter that is incremented by one each scan. The omit counts is number of measurements to exclude from an average for the site after switching to the site.

The program records averages for each time the manifold is set to a site. The average does not include values measured while the count is less than the omit count. The count is reset to 0 when the program switches to a new site. In this program there is a constant omitcounts that is used for all sites. If it was necessary to set the Omit Counts independently for each site, OmitCounts could be a variable array instead of a constant.

8.3.2 Data Tables

There are two data tables, RawData and SiteAvg. RawData holds samples of every measurement. SiteAvg holds averages that are calculated for a site when the manifold is switched to the next site.

8.3.3 Initialization Section (between BeginProg and Scan)

Manifold/SDMCD16S Settings: This section defines the bit pattern for each valve setting.

Site Sequence: Edit the SiteSequence array assignment for the sequence desired. For example, the 10 element SiteSequence array described in the Terminology section above can be loaded with the code:

```
'Load SiteSequence
SiteSequence(1) = 1
SiteSequence(2) = 2
SiteSequence(3) = 3
SiteSequence(4) = 7
SiteSequence(5) = 8
SiteSequence(6) = 4
SiteSequence(7) = 5
SiteSequence(8) = 6
SiteSequence(9) = 7
SiteSequence(10) = 8
```

```

'CR1000 Series Datalogger

'CR1000 Wiring:
'SDM Connections

'C1    SDM Data (green)
'C2    SDM Clock (white)
'C3    SDM Enable (brown)
'G     SDM reference (black)
'      SDM shield (clear)
'+12   Not Connected (Red)

PipeLineMode

Dim SiteSequence(10) As Long           'The sequence consists of 10 valve settings
Dim SiteValve(8) As Long               'There are 8 valve settings in the above sequence
Dim SiteValveCD16 As Long              'This is the variable that is used to set the SDM-CD16

Dim AvgDisable As Boolean
Public EndOmit As Boolean
Public SeqActiveFlag As Boolean        'Set false to disable auto site switching

Public Site As Long
Public SiteOutput As Long
Public Count As Long
Public SeqIndex As Long

'Variables for Measurements
Public GasConc(2)

'Variable that controls valve switching and averaging periods

Const OmitCounts = 10
Dim I As Long
Dim One

DataTable (RawData,True,-1)
    DataInterval (0,0,Sec,10)
    CardOut (0 , -1)
    Sample (1,Site,IIEEE4)
    Sample (1,Count,IIEEE4)
    Sample (1,SeqActiveFlag,IIEEE4)
    Sample (2,GasConc(1),IIEEE4)
EndTable

'Site Table, output each time a site is completed.

```

```

DataTable (SiteAvg,True,3000)
  DataInterval (0,30,Sec,10)
  CardOut(0,50000)
  Sample (1,SiteOutput,IEEE4)
  Average (2,GasConc(1),IEEE4,AvgDisable)
  Totalize (1,One,IEEE4,AvgDisable)
EndTable

BeginProg
  'Load TGA Sample Selection Manifold SDM-CD16 Settings
  SiteValve(1) = &B00000001      'Site 1 Sample 1, SDM-CD16 out 1
  SiteValve(2) = &B00000010      'Site 2 Sample 2, SDM-CD16 out 2
  SiteValve(3) = &B00000100      'Site 3 = Sample 3, SDM-CD16 out 3
  SiteValve(4) = &B00001000      'Site 4 = Sample 4, SDM-CD16 out 4
  SiteValve(5) = &B00010000      'Site 5 = Sample 5, SDM-CD16 out 5
  SiteValve(6) = &B00100000      'Site 6 = Sample 6, SDM-CD16 out 6
  SiteValve(7) = &B01000000      'Site 7 = Zero, Cal Gas 1, SDM-CD16 out 7
  SiteValve(8) = &B10000000      'Site 8 = Span, Cal Gas 2, SDM-CD16 out 8

  'Load SiteSequence
  SiteSequence(1) = 1             'Sample Intake 1
  SiteSequence(2) = 2             'Sample Intake 2
  SiteSequence(3) = 3             'Sample Intake 3
  SiteSequence(4) = 7             'Cal Gas 1 - Zero
  SiteSequence(5) = 8             'Cal Gas 2 - Span
  SiteSequence(6) = 4             'Sample Intake 4
  SiteSequence(7) = 5             'Sample Intake 5
  SiteSequence(8) = 6             'Sample Intake 6
  SiteSequence(9) = 7             'Cal Gas 1 - Zero
  SiteSequence(10) = 8            'Cal Gas 2 - Span

  'Initialize Variables
  One=1
  SeqIndex=1
  Count = 1
  SeqActiveFlag = True
  Site = SiteSequence(SeqIndex)
  SiteOutput = Site
  Scan (1,Sec,10,0)
  'Instructions to Measure Sensors Inserted Here.

  'Set valves:
  SDMCD16AC (SiteValveCD16,1,1)

  'Call Data Tables:
  CallTable RawData
  CallTable SiteAvg
  Count = Count + 1
  SiteOutput=Site
  If SeqActiveFlag Then
    If TimeIntoInterval (0,30,Sec) Then
      SeqIndex = (SeqIndex MOD 10) + 1
      Count = 1

```

```

        EndIf
        Site = SiteSequence(SeqIndex)
    EndIf
    SiteValveCD16 = SiteValve(Site)
    EndOmit = Count > OmitCounts
    AvgDisable = NOT (EndOmit AND SeqActiveFlag)
NextScan
EndProg

```

8.4 Control Gas Sampling with Timing in Measurement Task – CR1000

8.4.1 The Purpose of this Example

This example illustrates an instruction that can be used if:

- 1) There is a requirement for precisely timed switching in a known timing sequence.
- 2) The time required in the datalogger program for processing tasks is close to the scan interval.

If the processing occasionally takes longer than the scan interval, there could be skipped measurements (sequential mode) or the measurements could be made but the switching would take place later than expected (pipeline mode).

This program has the same timing and valve control as the example in Section 8.2, however, instead of the logic in the program determining when to switch the valves, it makes use of the TimedControl instruction to control when valves switch as part of the measurement task (pipeline mode only).

8.4.2 Pipeline vs Sequential

The Pipeline mode is more efficient than the Sequential mode. In the Sequential mode, all processing is completed before advancing to the next instruction. The Pipeline mode separates the measurement and processing tasks. Not only does this separation of tasks allow the datalogger to complete both tasks in less time than the sequential mode, it allows the processing task to briefly fall behind the measurement task without skipping any measurements.

In the pipeline mode the results of the measurement task are stored in a buffer for the processing task. The processing task starts after the first measurement task is complete and can take place at the same time as the next measurement task. If the processing task has something that temporarily prevents it from finishing before the next measurement scan is complete, it can fall behind the measurement scan. Later when the processing is less intensive, the processing can run faster than the measurements and process the buffered measurement data and catch up to the measurement scan. Operations that may temporarily increase the processing are intensive calculations for final output processing, extra communications overhead, or initializing a new compact flash card.

In the example in Section 8.3, the logic that controls the SDM-CD16 is in the processing task. In the pipeline mode the measurements continue to occur at the proper time. If the processing falls behind the measurement the values used to set the SDM-CD16 will be updated only when the processing task gets to that point. This will be later than would be expected if the processing task were not falling behind.

The TimedControl instruction allows the timing of when to switch SDMCD16 settings to be part of the measurement task rather than the processing task.

8.4.3 TimedControl Instruction

TimedControl: This instruction allows a sequence of fixed values and durations (number of scans) to be controlled by the measurement task. It allows a series of SDM-CD16 settings to be defined so that the switching sequence occurs at the proper times even if processing is lagging behind the measurement task.

TimedControl(Size,Sync_interval, Interval_Units,Default_Value, Index_dest, Source_Array, ClockResetOpt)

Size: The number of values in the sequence.

Sync_interval: When the program is compiled and starts running or when the TimedControl is reset the program will wait until an even multiple of this interval to start the sequence. Enter 0 to start immediately. See Clock/Reset Option for more information on what happens prior to the start.

Interval_Units: The time units for the Sync_Interval.

Default_Value: The value to set the output to prior to starting the sequence.

Index_dest: A variable in which to store the index of the value that is currently being used in the source_array. This instruction will load 0 for the index if the instruction is waiting for the Sync_interval to start.

Source_Array: A two dimension array that contains the values to use and the duration (in number of scans) for which that value is to remain in use. For Example, *arrayname(x,2)* where the array must be dimensioned to have at least as many variables in the x dimension as the Size parameter requires. For any variable pair i, *arrayname(i,1)* = the value to set, and *arrayname(i,2)* = the duration in number of scans to use that value before moving to the next value in the array.

ClockResetOpt: When the TimedControl instruction occurs **before BeginProg** this option is used to set how the instruction behaves when the dataloggers clock is changed:

1. If the datalogger clock is changed, the instruction behaves as if it were just started after compile and the input to the SDMCD16 goes to the default.

2. The sequence continues running as if nothing happened until the next occurrence of the sync interval (synced to the current clock) and then restarts.
3. Ignore the change in the clock, keep the current count and index proceeding as if nothing happened.

When the TimedControl instruction is used **within the program** (i.e, after BeginProg) to reset or change the sequence this option is used to set what happens between the time the instruction is executed and the sync interval occurs. Only option codes 1 and 2 are valid:

1. The instruction behaves as if it were just started after compile and the input to the SDMC16 goes to the default value.
2. The sequence continues running as if nothing happened until the next occurrence of the sync interval and then restarts.

```
'CR1000 Series Datalogger

'CR1000 Wiring:
'SDM Connections

'C1    SDM Data (green)
'C2    SDM Clock (white)
'C3    SDM Enable (brown)
'G     SDM reference (black)
'      SDM shield (clear)
'+12   Not Connected (Red)

PipeLineMode

Dim SiteSequence(10) As Long           'The sequence consists of 10 valve settings
Dim SiteValve(8) As Long               'There are 8 valve settings in the above sequence
Dim SiteValveCD16 As Long              'This is the variable that is used to set the SDM-CD16
Dim SeqProgrammedFlag As Boolean
Dim AvgDisable As Boolean

Public EndOmit As Boolean
Public SeqActiveFlag As Boolean        'Set false to disable auto site switching
                                       'and enable manual control of valves

Public Site As Long
Public SiteOutput As Long
Public Count As Long
Public SeqIndex As Long
Dim ValveTime(10,2) As Long

'Variables for Measurements
Public GasConc(2)

'Variable that controls valve switching and averaging periods
```

```
Public OmitCounts(8) As Long
Dim I As Long
Dim One
```

```
DataTable (RawData,True,-1)
  DataInterval (0,0,Sec,10)
  CardOut (0 ,-1)
  Sample (1,Site,IIEEE4)
  Sample (1,Count,IIEEE4)
  Sample (1,SeqActiveFlag,IIEEE4)
  Sample (2,GasConc(1),IIEEE4)
EndTable
```

'Site Table, output each time a site is completed.

```
DataTable (SiteAvg,True,3000)
  DataInterval (0,30,Sec,10)
  CardOut(0,50000)
  Sample (1,SiteOutput,IIEEE4)
  Average (2,GasConc(1),IIEEE4,AvgDisable)
  Totalize (1,One,IIEEE4,AvgDisable)
EndTable
```

'A TimedControl instruction must be placed before the BeginProg to set up for the instruction
TimedControl(10,2,Min,1,SeqIndex,ValveTime,2)

```
BeginProg
```

'Load TGA Sample Selection Manifold SDM-CD16 Settings

SiteValve(1) = &B00000001	<i>'Site 1 Sample 1, SDM-CD16 out 1</i>
SiteValve(2) = &B00000010	<i>'Site 2 Sample 2, SDM-CD16 out 2</i>
SiteValve(3) = &B00000100	<i>'Site 3 = Sample 3, SDM-CD16 out 3</i>
SiteValve(4) = &B00001000	<i>'Site 4 = Sample 4, SDM-CD16 out 4</i>
SiteValve(5) = &B00010000	<i>'Site 5 = Sample 5, SDM-CD16 out 5</i>
SiteValve(6) = &B00100000	<i>'Site 6 = Sample 6, SDM-CD16 out 6</i>
SiteValve(7) = &B01000000	<i>'Site 7 = Zero, Cal Gas 1, SDM-CD16 out 7</i>
SiteValve(8) = &B10000000	<i>'Site 8 = Span, Cal Gas 2, SDM-CD16 out 8</i>

'Load SiteSequence

SiteSequence(1) = 1	<i>'Sample Intake 1</i>
SiteSequence(2) = 2	<i>'Sample Intake 2</i>
SiteSequence(3) = 3	<i>'Sample Intake 3</i>
SiteSequence(4) = 7	<i>'Cal Gas 1 - Zero</i>
SiteSequence(5) = 8	<i>'Cal Gas 2 - Span</i>
SiteSequence(6) = 4	<i>'Sample Intake 4</i>
SiteSequence(7) = 5	<i>'Sample Intake 5</i>
SiteSequence(8) = 6	<i>'Sample Intake 6</i>
SiteSequence(9) = 7	<i>'Cal Gas 1 - Zero</i>
SiteSequence(10) = 8	<i>'Cal Gas 2 - Span</i>

```

'Load Sequence Timing Array
For I = 1 To 10
  'Load the Valve and Timing Array with the valve Settings:
  ValveTime(I,1) = SiteValve(SiteSequence(I))
  'Load the Valve and Timing Array with the number of scans at each setting:
  ValveTime(I,2) = 30
Next I
'Initialize Variables
One=1
SeqIndex=1
Count = 1
SeqActiveFlag = True
Site = SiteSequence(SeqIndex)
SiteOutput = Site
Scan (1,Sec,10,0)
  'Instructions to Measure Sensors Inserted Here.

  'Set valves:
  SDMCD16AC (ValveTime(1,1),1,1)

  'Call Data Tables:
  CallTable RawData
  CallTable SiteAvg
  Count = Count + 1
  SiteOutput=Site
  If SiteAvg.Output(1,1) Then Count = 1      'Reset Count when the
                                             'Site average is output

  If SeqActiveFlag Then
    Site = SiteSequence(SeqIndex)          'Show the site number set by
                                             'the Timed Control
    If SeqProgrammedFlag = False Then      'Reset the first valve to
                                             'the automatic value

      ValveTime(1,1) = SiteValve(1)
      ValveTime(1,2) = 30
      TimedControl(10,2,Min,1,SeqIndex,ValveTime,2)
      TimedControl(10,2,Min,1,SeqIndex,ValveTime,2)
      SeqProgrammedFlag = True
    EndIf
  Else
    'Set the first valve setting to that for the current Site
    'The Site number may be changed by user to switch sites.
    ValveTime(1,1) = SiteValve(Site)
    ValveTime(1,2) = 0
    If SeqProgrammedFlag = True Then      'Set the timed control to only
                                             'use The first value
      TimedControl(1,0,Min,SiteValve(Site),SeqIndex,ValveTime,1)
      SeqProgrammedFlag = False
    EndIf
  EndIf
  SiteValveCD16 = SiteValve(Site)
  EndOmit = Count > OmitCounts(Site)
  AvgDisable = NOT (EndOmit AND SeqActiveFlag)
NextScan
EndProg

```


Campbell Scientific Companies

Campbell Scientific, Inc. (CSI)

815 West 1800 North
Logan, Utah 84321
UNITED STATES
www.campbellsci.com
info@campbellsci.com

Campbell Scientific Africa Pty. Ltd. (CSAf)

PO Box 2450
Somerset West 7129
SOUTH AFRICA
www.csafrica.co.za
cleroux@csafrica.co.za

Campbell Scientific Australia Pty. Ltd. (CSA)

PO Box 444
Thuringowa Central
QLD 4812 AUSTRALIA
www.campbellsci.com.au
info@campbellsci.com.au

Campbell Scientific do Brazil Ltda. (CSB)

Rua Luisa Crapsi Orsi, 15 Butantã
CEP: 005543-000 São Paulo SP BRAZIL
www.campbellsci.com.br
suporte@campbellsci.com.br

Campbell Scientific Canada Corp. (CSC)

11564 - 149th Street NW
Edmonton, Alberta T5M 1W7
CANADA
www.campbellsci.ca
dataloggers@campbellsci.ca

Campbell Scientific Ltd. (CSL)

Campbell Park
80 Hathern Road
Shepshed, Loughborough LE12 9GX
UNITED KINGDOM
www.campbellsci.co.uk
sales@campbellsci.co.uk

Campbell Scientific Ltd. (France)

Miniparc du Verger - Bat. H
1, rue de Terre Neuve - Les Ulis
91967 COURTABOEUF CEDEX
FRANCE
www.campbellsci.fr
info@campbellsci.fr

Campbell Scientific Spain, S. L.

Psg. Font 14, local 8
08013 Barcelona
SPAIN
www.campbellsci.es
info@campbellsci.es