

***VDIV10.1, VDIV2.1
Voltage Divider
Terminal Input Modules***

User Manual

Issued 26.07.07

Copyright © 1996-2007 Campbell Scientific Inc
Printed under licence by Campbell Scientific Ltd.

Guarantee

This equipment is guaranteed against defects in materials and workmanship. This guarantee applies for twelve months from date of delivery. We will repair or replace products which prove to be defective during the guarantee period provided they are returned to us prepaid. The guarantee will not apply to:

- Equipment which has been modified or altered in any way without the written permission of Campbell Scientific
- Batteries
- Any product which has been subjected to misuse, neglect, acts of God or damage in transit.

Campbell Scientific will return guaranteed equipment by surface carrier prepaid. Campbell Scientific will not reimburse the claimant for costs incurred in removing and/or reinstalling equipment. This guarantee and the Company's obligation thereunder is in lieu of all other guarantees, expressed or implied, including those of suitability and fitness for a particular purpose. Campbell Scientific is not liable for consequential damage.

Please inform us before returning equipment and obtain a Repair Reference Number whether the repair is under guarantee or not. Please state the faults as clearly as possible, and if the product is out of the guarantee period it should be accompanied by a purchase order. Quotations for repairs can be given on request.

When returning equipment, the Repair Reference Number must be clearly marked on the outside of the package.

Note that goods sent air freight are subject to Customs clearance fees which Campbell Scientific will charge to customers. In many cases, these charges are greater than the cost of the repair.



Campbell Scientific Ltd,
Campbell Park, 80 Hathern Road,
Shepshed, Loughborough, LE12 9GX, UK
Tel: +44 (0) 1509 601141
Fax: +44 (0) 1509 601091

*Email: support@campbellsci.co.uk
www.campbellsci.co.uk*

Contents

PDF viewers note: These page numbers refer to the printed version of this document. Use the Adobe Acrobat® bookmarks tab for links to specific sections.

1. Function	1
2. Specifications	2
2.1 VDIV10.1	2
2.2 VDIV2.1	2
3. Wiring	2
4. Programming	3
4.1 Example	3
4.1.1 CR1000, CR800, CR850.....	4
4.1.2 CR3000, CR5000.....	4
4.1.3 CR9000(X).....	4
4.1.4 CR7	4
4.1.5 CR10(X).....	4
4.1.6 CR23X	4
4.1.7 21X	4

Figures

1-1. Terminal Input Module	1
2-1. Voltage Divider Module Schematic	2
3-1. Wiring for Differential Voltage Measurement	2
3-2. Wiring for Single-Ended Voltage Measurements	3

Table

3-1. VDIV10.1 or VDIV2.1 Connections to Campbell Scientific Dataloggers	3
--	---

VDIV10.1, VDIV2.1 Voltage Divider Terminal Input Modules

1. Function

Terminal input modules connect directly to the datalogger's input terminals to provide completion resistors for resistive bridge measurements, voltage dividers, and precision current shunts. Voltage dividers are used to divide a voltage to provide a reduced voltage output that is a fraction of the original voltage. The VDIV10.1 is a 10:1 voltage divider, the output voltage is one tenth the input voltage, and allows a voltage up to ± 25 volts to be measured on a ± 2500 mV range (CR10(X)) and up to ± 50 volts to be measured on a ± 5000 mV range (21X, CR7, CR9000(X), CR23X, CR1000, CR800, CR850, CR3000, CR5000). The VDIV2.1 is a 2:1 voltage divider, the output voltage is one half the input voltage, and allows a voltage up to ± 5 volts to be measured on a ± 2500 mV range (CR10(X)) and up to ± 10 volts to be measured on a ± 5000 mV range (21X, CR7, CR9000(X), CR23X, CR1000, CR800, CR850, CR3000, CR5000).

Each voltage divider module may be used to measure one differential voltage or two single-ended voltages.



Figure 1-1. Terminal Input Module

2. Specifications

2.1 VDIV10.1

10:1 Resistive Divider	
Resistors	90 kΩ/10 kΩ
Ratio Tolerance @ 25 °C	±0.02%
Ratio Temperature coefficient	2 ppm/°C
Power rating	0.25 W
Maximum Input Voltage	50 volts

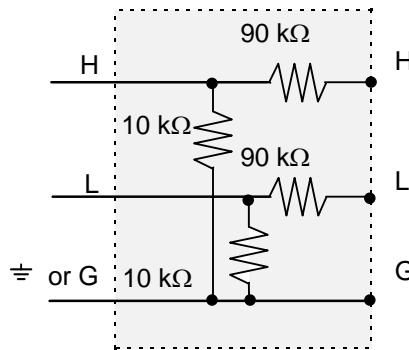


Figure 2-1. Voltage Divider Module Schematic

2.2 VDIV2.1

2:1 Resistive Divider	
Resistors	10 kΩ/10 kΩ
Ratio Tolerance @ 25 °C	±0.02%
Ratio Temperature coefficient	2 ppm/°C
Power rating	0.25 W
Maximum Input Voltage	10 volts

3. Wiring

Each voltage divider module may be used to measure one differential voltage (Figure 3-1) or two single-ended voltages (Figure 3-2).

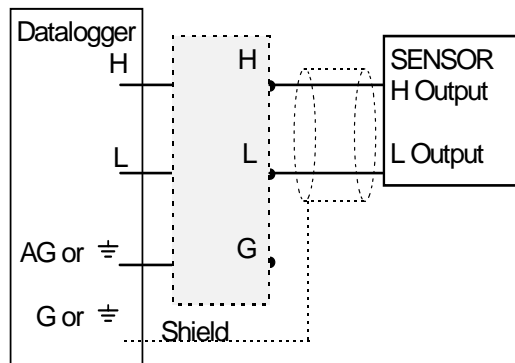


Figure 3-1. Wiring for Differential Voltage Measurement

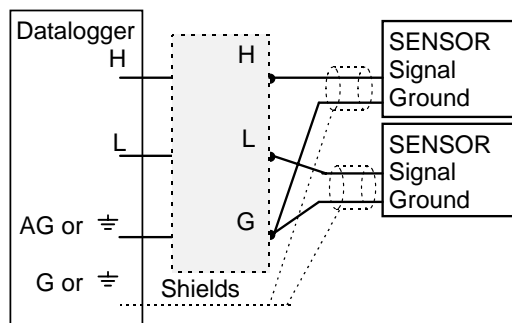


Figure 3-2. Wiring for Single-Ended Voltage Measurements

Function	Label/Lead	CR10X, CR510	CR800, CR850, CR3000, CR5000, CR23X, CR1000	21X/CR 7
Output High	H	1H	1H	1H
Output Low	L	1L	1L	1L
Ground	G	AG	⊕	⊕

4. Programming

The output of the voltage divider is measured with the appropriate voltage measurement instruction. A differential input is measured with the differential voltage instruction (P2 with the CR23X, CR10(X), 21X, or CR7; VoltDiff with the CR800, CR850, CR3000, CR5000, CR9000(X), CR1000). A single-ended input is measured with the single-ended voltage instruction (P1 with the CR23X, CR10(X), 21X, or CR7; VoltSE with the CR800, CR850, CR3000, CR5000, CR9000(X), CR1000). Select the smallest input voltage range that will accommodate the maximum expected output. The smallest possible range will provide the best resolution.

4.1 Example

For example, suppose we want to measure the voltage of a 12 volt battery system that may actually experience voltages in excess of 14 volts. Using the VDIV10.1 10:1 voltage divider, the 14 volt output will be divided to $14/10 = 1.4$ volts or 1400 mV. Thus the voltage range on which to make the measurement is the ± 2500 mV range on the CR10(X), CR800, CR850, and CR1000, the ± 5000 mV range on the CR23X, 21X, CR3000, CR5000, and CR9000(X), and the ± 1500 mV range on the CR7.

The multiplier to use with the voltage measurement must take into account the divisor, the calibration of the sensor, and the units desired for the result. In this example, voltage is divided by 10 and read by the datalogger as millivolts (i.e., $(V/10) \times 10^3 = V \times 10^2$). To output directly in volts, we use a multiplier of 0.01.

The following examples show the measurement instruction for each of the different dataloggers to measure the battery voltage described above.

4.1.1 CR1000, CR800, CR850

Public BattVolt
 VoltDiff (BattVolt,1,mV2500,1,True ,0,250,0.01,0)

4.1.2 CR3000, CR5000

Public BattVolt
 VoltDiff (BattVolt,1,mV5000,1,True ,0,250,0.01,0)

4.1.3 CR9000(X)

VoltDiff(BattVolt, 1, mV5000, 5, 1, 1, 0, 0, 0.01, 0)

4.1.4 CR7

1: Volt (Diff) (P2)	
1: 1	Reps
2: 7	± 1500 mV Slow Range
3: 1	In Card
4: 1	DIFF Channel
5: 1	Loc [BattVolt]
6: 0.01	Mult
7: 0	Offset

4.1.5 CR10(X)

1: Volt (Diff) (P2)	
1: 1	Reps
2: 25	± 2500 mV 60 Hz Rejection Range
3: 1	DIFF Channel
4: 1	Loc [BattVolt]
5: 0.01	Mult
6: 0	Offset

4.1.6 CR23X

1: Volt (Diff) (P2)	
1: 1	Reps
2: 15	5000 mV, Fast Range
3: 1	DIFF Channel
4: 1	Loc [BattVolt]
5: 0.01	Multiplier
6: 0	Offset

4.1.7 21X

1: Volt (Diff) (P2)	
1: 1	Reps
2: 5	± 5000 mV Slow Range
3: 1	DIFF Channel
4: 1	Loc [BattVolt]
5: 0.01	Mult
6: 0	Offset is a blank page.

CAMPBELL SCIENTIFIC COMPANIES

Campbell Scientific, Inc. (CSI)

815 West 1800 North
Logan, Utah 84321
UNITED STATES
www.campbellsci.com
info@campbellsci.com

Campbell Scientific Africa Pty. Ltd. (CSAf)

PO Box 2450
Somerset West 7129
SOUTH AFRICA
www.csafrica.co.za
sales@csafrica.co.za

Campbell Scientific Australia Pty. Ltd. (CSA)

PO Box 444
Thuringowa Central
QLD 4812 AUSTRALIA
www.campbellsci.com.au
info@campbellsci.com.au

Campbell Scientific do Brazil Ltda. (CSB)

Rua Luisa Crapsi Orsi, 15 Butantã
CEP: 005543-000 São Paulo SP BRAZIL
www.campbellsci.com.br
suporte@campbellsci.com.br

Campbell Scientific Canada Corp. (CSC)

11564 - 149th Street NW
Edmonton, Alberta T5M 1W7
CANADA
www.campbellsci.ca
dataloggers@campbellsci.ca

Campbell Scientific Ltd. (CSL)

Campbell Park
80 Hathern Road
Shepshed, Loughborough LE12 9GX
UNITED KINGDOM
www.campbellsci.co.uk
sales@campbellsci.co.uk

Campbell Scientific Ltd. (France)

Miniparc du Verger - Bat. H
1, rue de Terre Neuve - Les Ulis
91967 COURTABOEUF CEDEX
FRANCE
www.campbellsci.fr
info@campbellsci.fr

Campbell Scientific Spain, S. L.

Psg. Font 14, local 8
08013 Barcelona
SPAIN
www.campbellsci.es
info@campbellsci.es

Campbell Scientific Ltd. (Germany)

Fahrenheitstrasse 13, D-28359 Bremen
GERMANY
www.campbellsci.de
info@campbellsci.de