

FRANGIBLE MAST

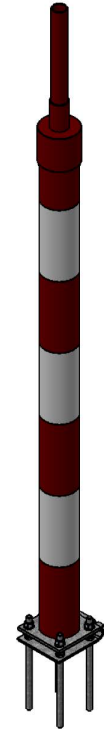
Installation Guide

February 2017



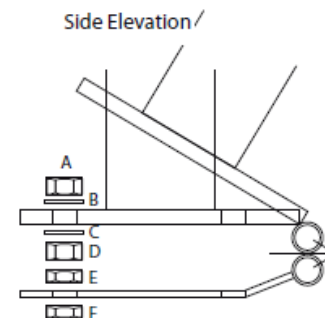
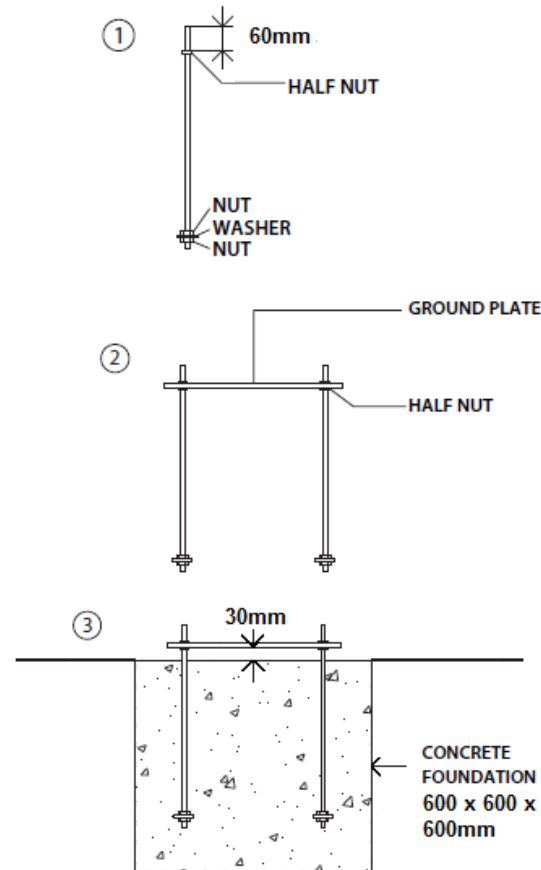
CAMPBELL[®]
SCIENTIFIC

WHEN MEASUREMENTS MATTER



FRANGIBLE MAST INSTALLATION GUIDE

- 1) Screw one thin nut onto each threaded foundation bolt from the top for distance of 60-65 mm, see Fig. 1.
- 2) Place each foundation bolt (4 No.) through the thinner foundation ground plate holes and locate in position with a further thin nut. Be careful to ensure to turn plate the correct way with the hinge pointing upwards, see Fig. 2.
- 3) Place the foundation bolts in the concrete and make certain the hinging bolt points in the direction to which the pole will be both raised and lowered. Leave a small space (30 mm) between the concrete foundation and the foundation ground plate to make it possible to adjust the mast to vertical. Ensure the foundation ground plate is level, see Fig. 3
- 4) When the concrete has hardened, re check the level of the ground plate and adjust if required by the nuts (E & F) above and below the plate. Once level, screw a full nut (D) and a washer (C) onto each ground rod.
- 5) Bring the foot of the pole to the ground plate and insert the hinge pin, securing with the nuts and washers provided.
- 6) Offer the mast up to the foundation ground plate. Once in place secure a washer (B) followed by full nut (A) onto each rod above the base plate of the mast.
- 7) To level the mast adjust the full nuts (D) immediately below the mast base plate. Once level further secure the full nut (A) above the base plate.
- 8) Re-tension bolts some weeks after erection.





Please visit www.campbellsci.eu for more information.