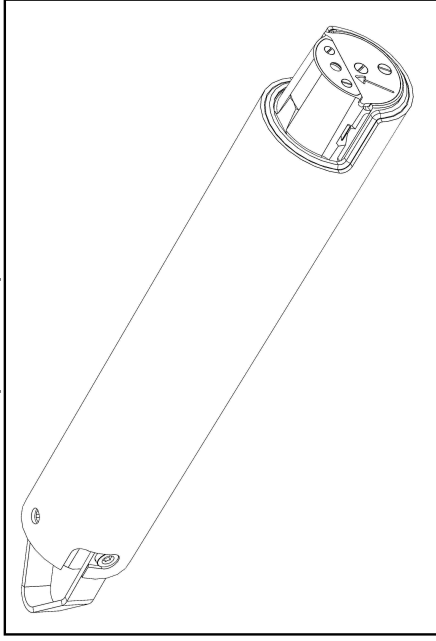
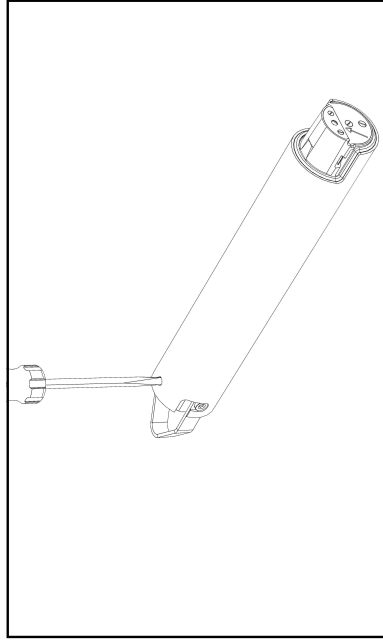


OBS501 SLEEVE INSTALLATION

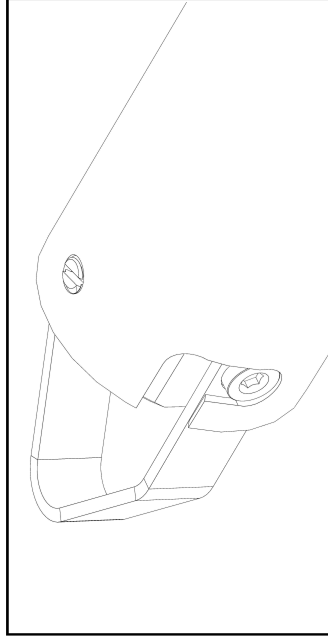
1. Slide the plastic or copper sleeve over the OBS501 and snap it into place.



2. Back the 1/4-20 set screw out until it is flush with the sleeve.

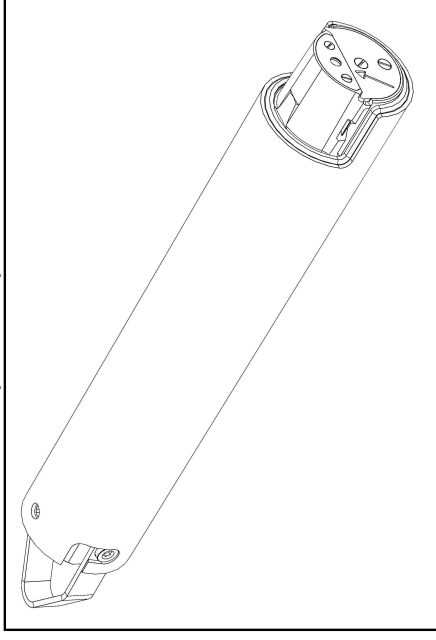


3. The sleeve is now locked in place.

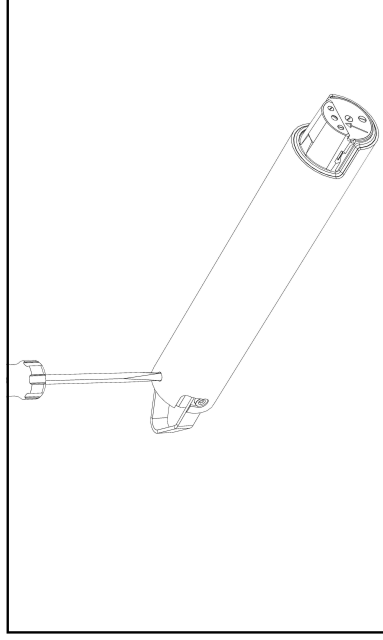


OBS501 SLEEVE INSTALLATION

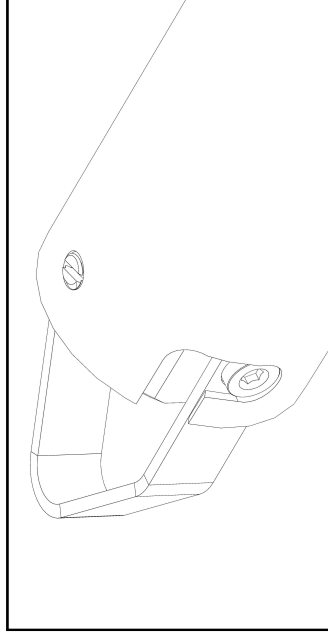
1. Slide the plastic or copper sleeve over the OBS501 and snap it into place.



2. Back the 1/4-20 set screw out until it is flush with the sleeve.



3. The sleeve is now locked in place.



(435) 227-9000
www.campbellsci.com

CAMPBELL
SCIENTIFIC
WHEN MEASUREMENTS MATTER

(435) 227-9000
www.campbellsci.com

CAMPBELL
SCIENTIFIC
WHEN MEASUREMENTS MATTER