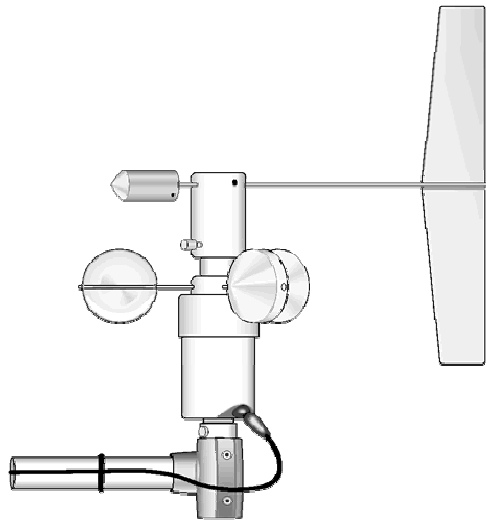


# INSTRUCTION MANUAL



## Met One 034A-LC Windset for MetData1

Revision: 5/07



Copyright © 1980-2007  
Campbell Scientific, Inc.

# **Warranty and Assistance**

---

The **MET ONE 034A-LC WINDSET FOR METDATA1** is warranted by CAMPBELL SCIENTIFIC, INC. to be free from defects in materials and workmanship under normal use and service for twelve (12) months from date of shipment unless specified otherwise. Batteries have no warranty. CAMPBELL SCIENTIFIC, INC.'s obligation under this warranty is limited to repairing or replacing (at CAMPBELL SCIENTIFIC, INC.'s option) defective products. The customer shall assume all costs of removing, reinstalling, and shipping defective products to CAMPBELL SCIENTIFIC, INC. CAMPBELL SCIENTIFIC, INC. will return such products by surface carrier prepaid. This warranty shall not apply to any CAMPBELL SCIENTIFIC, INC. products which have been subjected to modification, misuse, neglect, accidents of nature, or shipping damage. This warranty is in lieu of all other warranties, expressed or implied, including warranties of merchantability or fitness for a particular purpose. CAMPBELL SCIENTIFIC, INC. is not liable for special, indirect, incidental, or consequential damages.

Products may not be returned without prior authorization. The following contact information is for US and International customers residing in countries served by Campbell Scientific, Inc. directly. Affiliate companies handle repairs for customers within their territories. Please visit [www.campbellsci.com](http://www.campbellsci.com) to determine which Campbell Scientific company serves your country. To obtain a Returned Materials Authorization (RMA), contact CAMPBELL SCIENTIFIC, INC., phone (435) 753-2342. After an applications engineer determines the nature of the problem, an RMA number will be issued. Please write this number clearly on the outside of the shipping container. CAMPBELL SCIENTIFIC's shipping address is:

**CAMPBELL SCIENTIFIC, INC.**

RMA#\_\_\_\_\_

815 West 1800 North

Logan, Utah 84321-1784

CAMPBELL SCIENTIFIC, INC. does not accept collect calls.

# 034A-LC Table of Contents

---

*PDF viewers note: These page numbers refer to the printed version of this document. Use the Adobe Acrobat® bookmarks tab for links to specific sections.*

<b>1. General</b>	<b>1</b>
<b>2. Specifications</b>	<b>1</b>
<b>3. Installation</b>	<b>1</b>
3.1 Siting	1
3.2 Mounting	2
<b>4. Connection</b>	<b>2</b>
<b>5. Datalogger Programming</b>	<b>2</b>
5.1 Program	3
<b>6. Sensor Maintenance</b>	<b>4</b>
<b>7. Long Lead Lengths</b>	<b>5</b>
7.1 Sample Program When Long Leads are Required	5
<b>8. Wind Direction Measurement Theory</b>	<b>7</b>
8.1 AC Half Bridge (P5)	7
8.2 DC Half Bridge (P4)	7
<b>9. References</b>	<b>8</b>

## **Figure**

8-1. 034A Potentiometer in a Half Bridge Circuit	7
--	---

## **Tables**

5-1. Multipliers and Offsets for Wind Speed and Direction	3
7-1. Multiplier and Offset for Wind Direction when using Lead Lengths Greater than 200 Feet	5



# ***Met One 034A-LC Windset for MetData1***

---

## **1. General**

The Met One 034A Windset is an integrated cup anemometer and wind vane. The anemometer consists of three cups that sense the wind speed. These cups rotate on a vertical shaft that magnetically activates a sealed reed switch. The reed switch opens and closes at a rate proportional to wind speed. The wind direction is sensed by a vane. The vane drives a 10 k $\Omega$  potentiometer.

## **2. Specifications**

### **Wind Speed**

Operating Range: 0 to 49 m s<sup>-1</sup> (0 to 110 mph)

Threshold: 0.4 m s<sup>-1</sup> (0.9 mph)

Accuracy:  $\pm 0.12$  m s<sup>-1</sup> ( $\pm 0.25$  mph) for wind speed < 10.1 m s<sup>-1</sup> (22.7 mph)  
 $\pm 1.1\%$  of reading for wind speeds > 10.1 m s<sup>-1</sup> (22.7 mph)

Output Signal: contact closure (reed switch)

### **Wind Direction**

Range: 0 to 360°, shorting to ground between 356° to 360°

Threshold: 0.4 m s<sup>-1</sup> (0.9 mph)

Accuracy:  $\pm 4^\circ$

Resolution: 0.5°

Potentiometer Specifications: Resistance: 0 to 10 k $\Omega$  shorting at crossover

### **General Specifications**

Operating Temperature Range: -30° to +70°C

Weight: 907 g (2.0 lb.)

---

### **NOTE**

The black outer jacket of the cable is Santoprene® rubber. This compound was chosen for its resistance to temperature extremes, moisture, and UV degradation. However, this jacket will support combustion in air. It is rated as slow burning when tested according to U.L. 94 H.B. and will pass FMVSS302. Local fire codes may preclude its use inside buildings.

---

## **3. Installation**

### **3.1 Siting**

Locate wind sensors away from obstructions (e.g. trees and building). As a general rule of thumb there should be a horizontal distance of at least ten times the height of the obstruction between the windset and the obstruction. If it is

necessary to mount the sensors on the roof of a building, the height of the sensors, above the roof, should be at least 1.5 times the height of the building. See Section 9 for a list of references that discuss siting wind speed and direction sensors.

## 3.2 Mounting

Tools Required:

- 5/64" and 1/16" allen wrenches
- compass and declination angle for the site
- small screw driver provided with datalogger
- UV resistance cable ties
- small pair of diagonal-cutting pliers
- 6 - 10" torpedo level

Mount the 019ALU crossarm to the top of the tripod/tower. Orient the 019ALU north and south with the 3/4 x 1 inch Nu-Rail on the north end. Appendix A contains detailed information on determining true north using a compass and the magnetic declination for the site.

Remove the alignment screw at the base of the 034A (Figure 3-1). Insert the 034A into the aluminum bushing provided with the sensor. Align the hole in the bushing with that in the 034A base and replace the screw. Insert the 034A/bushing into the 3/4 x 1 inch Nu-Rail on the 019ALU. Align the sensor so that the counter weight points to true south and tighten the set screws on the Nu-Rail. Remove the shoulder screw to allow the vane to rotate.

Attach the sensor cable to the six pin male connector on the 034A. Make sure the connector is properly keyed. Finger tighten the knurled ring. Route the sensor cable along the underside of the crossarm to the tripod/tower mast and down a tripod/tower leg to the instrument enclosure. Secure the cable to the crossarm and mast using cable ties.

## 4. Connection

The 034A-LC is attached to the MetData1 connector #2.

## 5. Datalogger Programming

---

**NOTE**

Information in this section is not necessary when programming the MetData1 with the Short Cut Program Builder software.

---

The Pulse instruction, Instruction 3, with an option code of 22, is used to measure the wind speed. Instruction 3 counts the number of switch closures that have occurred during the datalogger's execution interval. When option code 22 is selected, the datalogger reports the counts as a frequency. In addition, counts beyond the execution interval, caused by table overruns, are discarded. The frequency is converted into wind speed using the multiplier and offset listed in Table 5-1.

The AC Half Bridge instruction, Instruction 5, is used to measure wind direction. The AC Half Bridge (P5) instruction provides a precision voltage to the potentiometer and measures the voltage between the wiper and ground. The voltage is linearly proportional to the azimuth and is converted to degrees by the multiplier and offset listed in Table 5-1.

<b>Units</b>	<b>Datalogger Type</b>	<b>Instruction Number</b>	<b>Multiplier Offset</b>
m s <sup>-1</sup>	CR10(X) or 21X	3	0.7990 0.2811
mph	CR10(X) or 21X	3	1.789 .629
degrees	CR10(X) or 21X	5	720 0

**NOTE**

034A Windsets purchased directly from Met One Instruments have a different configuration on the 6 pin connector. In addition, they do not have the 10 k $\Omega$  resistor on the excitation line. The wiring diagram and the multiplier and offset, for wind direction, are different than the examples in this document.

**5.1 Program**

```

;{CR10X}
;
*Table 1 Program
01: 10      Execution Interval (seconds)

1: Pulse (P3)
1: 1      Reps
2: 1      Pulse Channel 2
3: 22     Switch Closure, Output Hz
4: 1*     Loc [ WndS_m_s ]
5: 0.7990 Mult
6: 0.2811 Offset

;Set the wind speed to zero if the wind is not blowing.
;
2: If (X<=>F) (P89)
1: 1*     X Loc [ WndS_m_s ]
2: 1      =
3: 0.2811 F
4: 30     Then Do

3: Z=F (P30)
1: 0      F
2: 0      Exponent of 10
3: 1*     Z Loc [ WndS_m_s ]

```

4: End (P95)	
5: AC Half Bridge (P5)	
1: 1	Reps
2: 25	± 2500 mV 60 Hz Rejection Range
3: 3	SE Channel
4: 2	Excite all reps w/Exchan 3
5: 2500	mV Excitation
6: 2*	Loc [ WndD_deg ]
7: 720	Mult
8: 0	Offset
6: If time is (P92)	
1: 0	Minutes (Seconds --) into a
2: 30	Interval (same units as above)
3: 10	Set Output Flag High (Flag 0)
7: Real Time (P77)	
1: 0110	Day,Hour/Minute
8: Wind Vector (P69)	
1: 1	Reps
2: 0	Samples per Sub-Interval
3: 00	S, $\theta_u$ , & $\sigma(\theta_u)$ Polar**
4: 1*	Wind Speed [ WndS_m_s ]
5: 2*	Wind Direction [ WndD_deg ]
-Input Locations-	
1	WndS_m_s
2	WndD_deg
* Proper entries will vary with program input location assignments.	
** Average wind speed, average unit vector wind direction, standard deviation of unit vector wind direction	

## 6. Sensor Maintenance

### 1 Month

- Do a visual/audio inspection of the anemometer at low wind speeds. Verify that the cup assembly and wind vane rotate freely. Inspect the sensor for physical damage. Verify cups and vane are tight.

### 6 Months

- Replace anemometer bearings if operating under harsh conditions

1 Year

- Replace anemometer bearings. Contact Campbell Scientific for a Return Materials Authorization (RMA) number at (435) 753-2342.

2 Years

- Replace the wind vane potentiometer and bearings. Contact Campbell Scientific for a Return Materials Authorization (RMA) number at (435) 753-2342.

## 7. Long Lead Lengths

When lead lengths greater than 200 feet are required to measure the 034A, use the DC Half Bridge instruction, Instruction 4, with a 20 millisecond delay to measure wind direction. The delay increases the settling time before the measurement is made.

Use a 2500 mV excitation and the 2500 mV measurement range.

### CAUTION

The 60 Hz rejection option can not be used with the DC Half Bridge instruction, when the delay is not zero. Do not use long lead lengths in electrically noisy environments.

Units	Instruction number	Multiplier Offset
degrees	4	0.288 0

### 7.1 Sample Program when Long Leads are Required

```

;{CR10X}
;
*Table 1 Program
  01: 10      Execution Interval (seconds)

1: Pulse (P3)
  1: 1      Reps
  2: 1      Pulse Channel 2
  3: 22     Switch Closure, Output Hz
  4: 1*     Loc [ WndS_m_s ]
  5: 0.7990 Mult
  6: 0.2811 Offset
    
```

```

;Set the wind speed to zero if the wind is not blowing.
;
2: If (X<=>F) (P89)
  1: 1*      X Loc [ WndS_m_s ]
  2: 1      =
  3: 0.2811  F
  4: 30      Then Do

3: Z=F (P30)
  1: 0      F
  2: 0      Exponent of 10
  3: 1*     Z Loc [ WndS_m_s ]

4: End (P95)

5: Excite-Delay (SE) (P4)
  1: 1      Reps
  2: 5      ± 2500 mV Slow Range
  3: 3      SE Channel
  4: 2      Excite all reps w/Exchan 3
  5: 2      Delay (units 0.01 sec)
  6: 2500** mV Excitation
  7: 2*     Loc [ WndD_deg ]
  8: 0.288  Mult
  9: 0      Offset

6: If time is (P92)
  1: 0      Minutes (Seconds --) into a
  2: 30     Interval (same units as above)
  3: 10     Set Output Flag High (Flag 0)

7: Real Time (P77)
  1: 0110   Day,Hour/Minute

8: Wind Vector (P69)
  1: 1      Reps
  2: 0      Samples per Sub-Interval
  3: 00     S, θu, & σ(θu) Polar**
  4: 1*     Wind Speed [ WndS_m_s ]
  5: 2*     Wind Direction [ WndD_deg ]

-Input Locations-
1 WndS_m_s
2 WndD_deg

*   Proper entries will vary with program input location assignments.
**  Average wind speed, average unit vector wind direction, standard deviation of unit vector
    wind direction

```



## 9. References

The following references give detailed information on siting wind speed and wind direction sensors.

EPA, 1989: *Quality Assurance Handbook for Air Pollution Measurements System*, Office of Research and Development, Research Triangle Park, NC, 27711.

EPA, 1987: *On-Site Meteorological Program Guidance for Regulatory Modeling Applications*, EPA-450/4-87-013, Office of Air Quality Planning and Standards, Research Triangle Park, NC 27711.

The State Climatologist, 1985: *Publication of the American Association of State Climatologists: Height and Exposure Standards*, for Sensors on Automated Weather Stations, vol. 9, No. 4.

WMO, 1983: *Guide to Meteorological Instruments and Methods of Observation*, World Meteorological Organization, No. 8, 5th edition, Geneva, Switzerland.



## **Campbell Scientific Companies**

---

### **Campbell Scientific, Inc. (CSI)**

815 West 1800 North  
Logan, Utah 84321  
UNITED STATES  
[www.campbellsci.com](http://www.campbellsci.com)  
[info@campbellsci.com](mailto:info@campbellsci.com)

### **Campbell Scientific Africa Pty. Ltd. (CSAf)**

PO Box 2450  
Somerset West 7129  
SOUTH AFRICA  
[www.csafrica.co.za](http://www.csafrica.co.za)  
[cleroux@csafrica.co.za](mailto:cleroux@csafrica.co.za)

### **Campbell Scientific Australia Pty. Ltd. (CSA)**

PO Box 444  
Thuringowa Central  
QLD 4812 AUSTRALIA  
[www.campbellsci.com.au](http://www.campbellsci.com.au)  
[info@campbellsci.com.au](mailto:info@campbellsci.com.au)

### **Campbell Scientific do Brazil Ltda. (CSB)**

Rua Luisa Crapsi Orsi, 15 Butantã  
CEP: 005543-000 São Paulo SP BRAZIL  
[www.campbellsci.com.br](http://www.campbellsci.com.br)  
[suporte@campbellsci.com.br](mailto:suporte@campbellsci.com.br)

### **Campbell Scientific Canada Corp. (CSC)**

11564 - 149th Street NW  
Edmonton, Alberta T5M 1W7  
CANADA  
[www.campbellsci.ca](http://www.campbellsci.ca)  
[dataloggers@campbellsci.ca](mailto:dataloggers@campbellsci.ca)

### **Campbell Scientific Ltd. (CSL)**

Campbell Park  
80 Hathern Road  
Shepshed, Loughborough LE12 9GX  
UNITED KINGDOM  
[www.campbellsci.co.uk](http://www.campbellsci.co.uk)  
[sales@campbellsci.co.uk](mailto:sales@campbellsci.co.uk)

### **Campbell Scientific Ltd. (France)**

Miniparc du Verger - Bat. H  
1, rue de Terre Neuve - Les Ulis  
91967 COURTABOEUF CEDEX  
FRANCE  
[www.campbellsci.fr](http://www.campbellsci.fr)  
[campbell.scientific@wanadoo.fr](mailto:campbell.scientific@wanadoo.fr)

### **Campbell Scientific Spain, S. L.**

Psg. Font 14, local 8  
08013 Barcelona  
SPAIN  
[www.campbellsci.es](http://www.campbellsci.es)  
[info@campbellsci.es](mailto:info@campbellsci.es)