

# INSTRUCTION MANUAL



## SC532 9-Pin Peripheral to RS232 Interface

Revision: 8/92

Copyright (c) 1988-1992  
Campbell Scientific, Inc.

# **Warranty and Assistance**

---

The **SC532 9-Pin Peripheral to RS232 Interface** is warranted by CAMPBELL SCIENTIFIC, INC. to be free from defects in materials and workmanship under normal use and service for twelve (12) months from date of shipment unless specified otherwise. Batteries have no warranty. CAMPBELL SCIENTIFIC, INC.'s obligation under this warranty is limited to repairing or replacing (at CAMPBELL SCIENTIFIC, INC.'s option) defective products. The customer shall assume all costs of removing, reinstalling, and shipping defective products to CAMPBELL SCIENTIFIC, INC. CAMPBELL SCIENTIFIC, INC. will return such products by surface carrier prepaid. This warranty shall not apply to any CAMPBELL SCIENTIFIC, INC. products which have been subjected to modification, misuse, neglect, accidents of nature, or shipping damage. This warranty is in lieu of all other warranties, expressed or implied, including warranties of merchantability or fitness for a particular purpose. CAMPBELL SCIENTIFIC, INC. is not liable for special, indirect, incidental, or consequential damages.

Products may not be returned without prior authorization. The following contact information is for US and International customers residing in countries served by Campbell Scientific, Inc. directly. Affiliate companies handle repairs for customers within their territories. Please visit [www.campbellsci.com](http://www.campbellsci.com) to determine which Campbell Scientific company serves your country. To obtain a Returned Materials Authorization (RMA), contact CAMPBELL SCIENTIFIC, INC., phone (435) 753-2342. After an applications engineer determines the nature of the problem, an RMA number will be issued. Please write this number clearly on the outside of the shipping container. CAMPBELL SCIENTIFIC's shipping address is:

**CAMPBELL SCIENTIFIC, INC.**

RMA# \_\_\_\_\_  
815 West 1800 North  
Logan, Utah 84321-1784

CAMPBELL SCIENTIFIC, INC. does not accept collect calls.

# SC532 Table of Contents

---

*PDF viewers note: These page numbers refer to the printed version of this document. Use the Adobe Acrobat® bookmarks tab for links to specific sections.*

<b>1. Function.....</b>	<b>1</b>
<b>2. Physical Description.....</b>	<b>1</b>
<b>3. Specifications .....</b>	<b>1</b>
<b>4. Hardware Connections .....</b>	<b>2</b>
<b>5. Operation.....</b>	<b>2</b>
<b>6. Portable Battery Power Application .....</b>	<b>3</b>

## ***Appendices***

<b>A. Pin Description.....</b>	<b>A-1</b>
<b>B. Schematic .....</b>	<b>B-1</b>
<b>C. Component Location.....</b>	<b>C-1</b>

## ***Figures***

1. SC532 Case Top .....	1
2. Connection Block Diagram.....	2

## ***Tables***

1. CSI SC532 to External Battery Connections .....	3
2. CSI Peripherals and Their Maximum Current Requirements.....	3
A-1. SC532 Pin Description .....	A-1
A-2. DTE Pin Configuration.....	A-1



# SC532 9-Pin Peripheral to RS232 Interface

---

## 1. Function

The SC532 Peripheral Interface connects an IBM PC/XT/AT or IBM PS2 compatible computer to certain Campbell Scientific datalogger peripherals. Peripherals include SM192/716 Storage Module, SM64 Storage Module, and MD9 Multidrop Interface.

The SC532 replaces the SM232A Storage Module - RS232 Interface whenever the PC208 Datalogger Support Software is used to read Storage Modules. It also provides a +5 VDC power supply to the peripheral. A supply voltage of 6 to 17 VDC is required.

## 2. Physical Description

The SC532 has a 9-pin connector for the peripheral and a 25-pin connector for the computer. An AC adaptor provides the input power (Figure 1).



FIGURE 1. SC532 Case Top

## 3. Specifications

Supply voltage in	+6 VDC to 17VDC; Factory installed AC to 7.5 VDC adaptor
Output voltage	5 VDC $\pm$ 0.2 VDC
Current available to peripheral on 5V output	100 mA maximum at 25 deg. C; derate 4 mA/V for each volt above 9VDC on the supply voltage at 25 deg. C

RS232 output levels	+10VDC $\pm$ 1 VDC -10VDC $\pm$ 1 VDC Maximum output impedance = 1100 ohms
RS232 input levels	$\pm$ 30V maximum Low threshold $\leq$ 0.8V High threshold $\geq$ 3.5V Input impedance at least 3000 ohms
9-pin inputs	Low $\leq$ 1V; High $\geq$ 3.5V
9-pin outputs	Low $\leq$ 0.5V; High $\geq$ 3.5V
Current drain	5 mA typical quiescent 10 mA maximum quiescent
Port Configuration	25-pin D-Subminiature Female configured as DCE. 9-pin D-Subminiature Female connects to peripheral through the SC12 Two Peripheral Connector Cable supplied with the SC532.
Dimensions	5 x 3 x 1 inches
Weight	1 pound with transformer

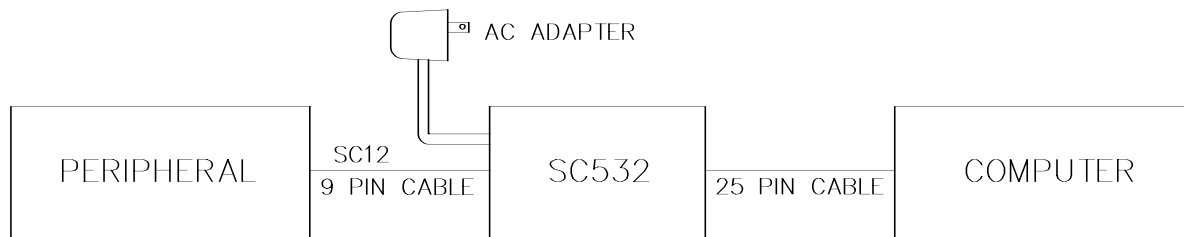


FIGURE 2. Connection Block Diagram

## 4. Hardware Connections

The block diagram in Figure 2 shows the connection from a Campbell Scientific Inc. peripheral to a 25-pin RS232 Asynchronous Communication Adapter via the SC532 and a SC12 9-pin cable.

If you have an AT computer with a 9-pin serial port, you will need a 9-pin to 25-pin cable in order to hook to the SC532 Interface.

## 5. Operation

A Campbell Scientific Inc. peripheral's CMOS logic levels (0V logic low, 5V logic high) are converted to RS232 levels (-10V and +10V respectively) by the SC532 Interface.

The SC532 also supplies +5VDC power to the peripheral. The factory-installed AC adapter must be plugged into a 110 VAC wall receptacle.

You will need to write your own software if you are not using the PC208 Dataloggers Support Software. Read the specific peripheral manual for the necessary control sequence.

Appendix A discusses the SC532 and the DTE computer pin descriptions.

## 6. Portable Battery Power Application

If the SC532 is being used in a portable application with battery power such as collecting data on-site from a Storage Module, the AC adapter wire can be cut and split. The wires can be spliced to connectors. The user can then use the SC532 with a battery or with the AC adapter.

See Table 1 to hook the SC532 to a battery. The battery voltage can be +6 to 17 VDC. See Table 2 for the current required for selected Campbell Scientific Inc. peripherals.

<b>TABLE 1. Campbell Scientific Inc. SC532 to External Battery Connections</b>		
<b>Transformer Brand</b>	<b>Connections</b>	
	<b>Wire</b>	<b>Battery Terminal</b>
Archer	Black w/ White Strip	+Positive
	Solid Black	-Negative
Tamura	Black w/ White Strip	-Negative
	Solid Black	+Positive

<b>TABLE 2. CSI Peripherals and Their Maximum Current Requirements</b>	
<b>Peripheral</b>	<b>Maximum Current</b>
MD9 Multidrop Interface	<90 mA
SM192/716 Storage Module	<20 mA
SM64 Storage Module	<30 mA



# Appendix A. Pin Description

The SC532 25-pin female port is configured as Data Communications Equipment (DCE) for direct cable connection to Data Terminal Equipment (DTE) such as an IBM-PC serial port.

The pin descriptions of the SC532 25-pin female connector and 9-pin female connector are listed in the following table.

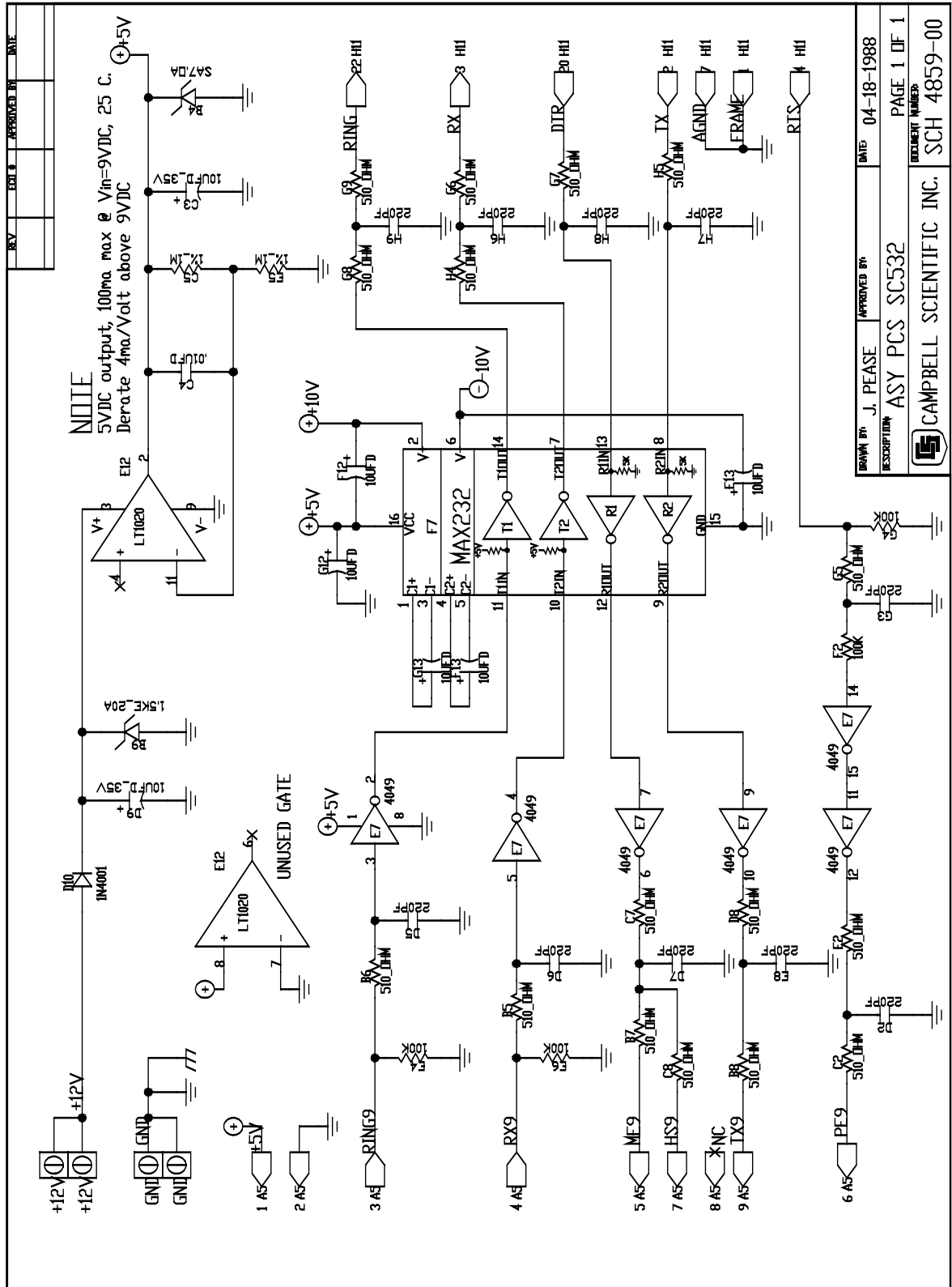
TABLE A-1. SC532 Pin Description					
PIN = Pin number I = Signal Into the SC532 O = Signal Out of the SC532					
25-PIN FEMALE CONNECTOR			9-PIN FEMALE CONNECTOR		
PIN #	I/O	DESCRIPTION	PIN #	I/O	DESCRIPTION
1,7		GROUND	1	O	+5V SUPPLY
2	I	TX	2		GROUND
3	O	RX	3	I	RING
4	I	RTS	4	I	RX
20	I	DTR	5	O	ME
22	O	RING	6	O	PE
			7	O	CLK/HS
			9	O	TX

A computer configured as DTE, such as an IBM-PC, will adhere to the description in Table A-2.

TABLE A-2. DTE Pin Configuration			
PIN = 25-pin pin number ABR = Abbreviation for the function name I = Signal Into the computer O = Signal Out of the computer			
PIN	ABR	I/O	Function
1			Frame Ground.
2	TX	O	Transmit Data: Characters are transmitted from the computer on this line.
3	RX	I	Receive Data: Characters transmitted by a peripheral are received on this line.
4	RTS	O	Request To Send: The computer uses this line to control the peripheral's PE lines.
20	DTR	O	Data Terminal Ready: The computer uses this line to control the peripheral's ME and CLK/HS line.
22	RING	I	Ring Indicator: Raised to get the attention of the computer.
7	SG		Signal Ground: Voltages are measured relative to this point.

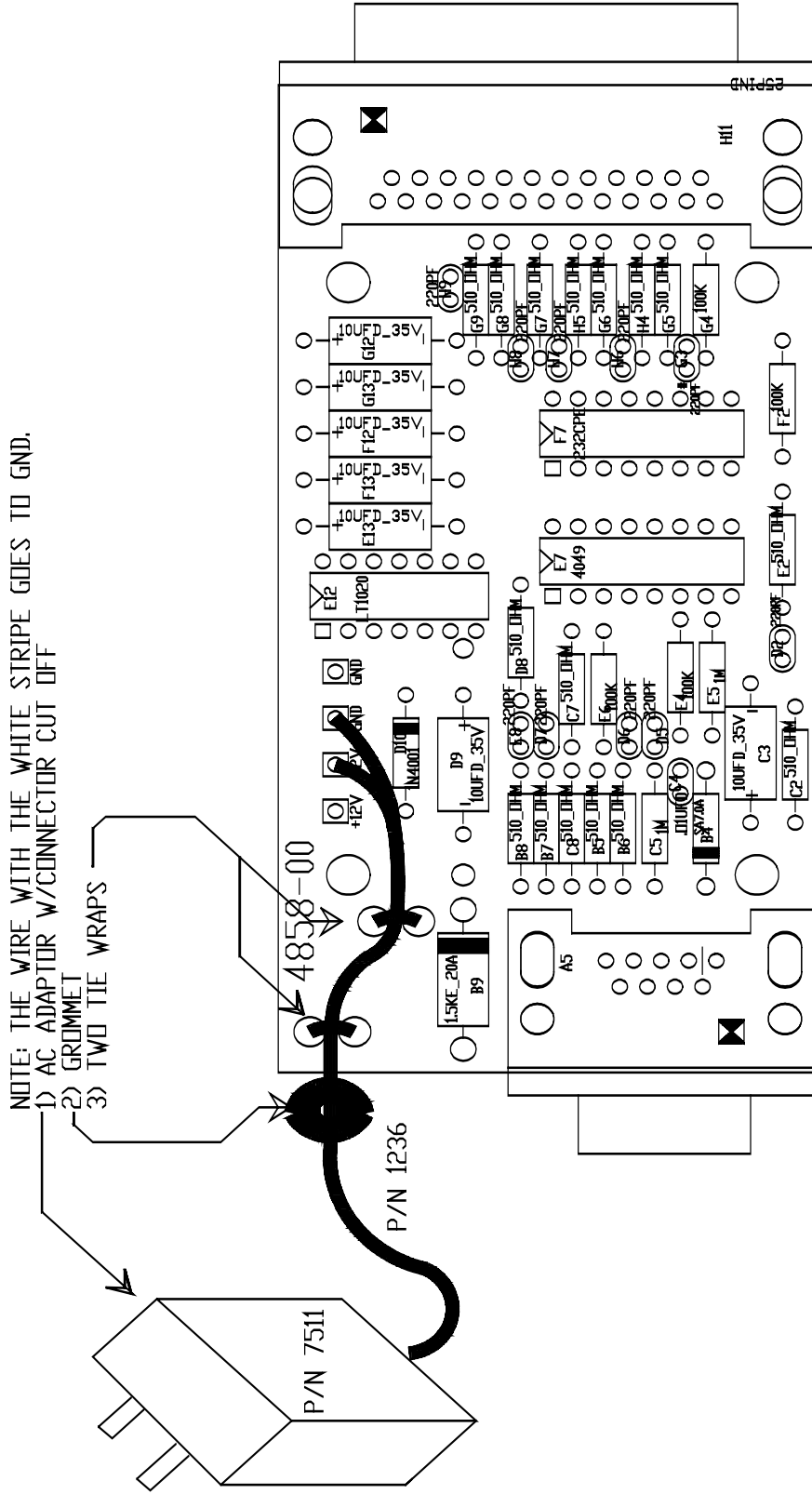


# Appendix B. Schematic





# Appendix C. Component Location



DESIGNED BY	JPEASE	PROJECT NUMBER	JHWELL	DATE	REV	08-11-92	SIP	A18D
DESCRIPTION	ASY PCS SC532			PAGE				
	CAMPBELL SCIENTIFIC INC. ADDR_4859-01			REVISION NUMBER	REV			





## **Campbell Scientific Companies**

---

### **Campbell Scientific, Inc. (CSI)**

815 West 1800 North  
Logan, Utah 84321  
UNITED STATES  
[www.campbellsci.com](http://www.campbellsci.com)  
[info@campbellsci.com](mailto:info@campbellsci.com)

### **Campbell Scientific Africa Pty. Ltd. (CSAf)**

PO Box 2450  
Somerset West 7129  
SOUTH AFRICA  
[www.csafrica.co.za](http://www.csafrica.co.za)  
[sales@csafrica.co.za](mailto:sales@csafrica.co.za)

### **Campbell Scientific Australia Pty. Ltd. (CSA)**

PO Box 444  
Thuringowa Central  
QLD 4812 AUSTRALIA  
[www.campbellsci.com.au](http://www.campbellsci.com.au)  
[info@campbellsci.com.au](mailto:info@campbellsci.com.au)

### **Campbell Scientific do Brazil Ltda. (CSB)**

Rua Luisa Crapsi Orsi, 15 Butantã  
CEP: 005543-000 São Paulo SP BRAZIL  
[www.campbellsci.com.br](http://www.campbellsci.com.br)  
[suporte@campbellsci.com.br](mailto:suporte@campbellsci.com.br)

### **Campbell Scientific Canada Corp. (CSC)**

11564 - 149th Street NW  
Edmonton, Alberta T5M 1W7  
CANADA  
[www.campbellsci.ca](http://www.campbellsci.ca)  
[dataloggers@campbellsci.ca](mailto:dataloggers@campbellsci.ca)

### **Campbell Scientific Ltd. (CSL)**

Campbell Park  
80 Hathern Road  
Shepshed, Loughborough LE12 9GX  
UNITED KINGDOM  
[www.campbellsci.co.uk](http://www.campbellsci.co.uk)  
[sales@campbellsci.co.uk](mailto:sales@campbellsci.co.uk)

### **Campbell Scientific Ltd. (France)**

Miniparc du Verger - Bat. H  
1, rue de Terre Neuve - Les Ulis  
91967 COURTABOEUF CEDEX  
FRANCE  
[www.campbellsci.fr](http://www.campbellsci.fr)  
[campbell.scientific@wanadoo.fr](mailto:campbell.scientific@wanadoo.fr)

### **Campbell Scientific Spain, S. L.**

Psg. Font 14, local 8  
08013 Barcelona  
SPAIN  
[www.campbellsci.es](http://www.campbellsci.es)  
[info@campbellsci.es](mailto:info@campbellsci.es)